



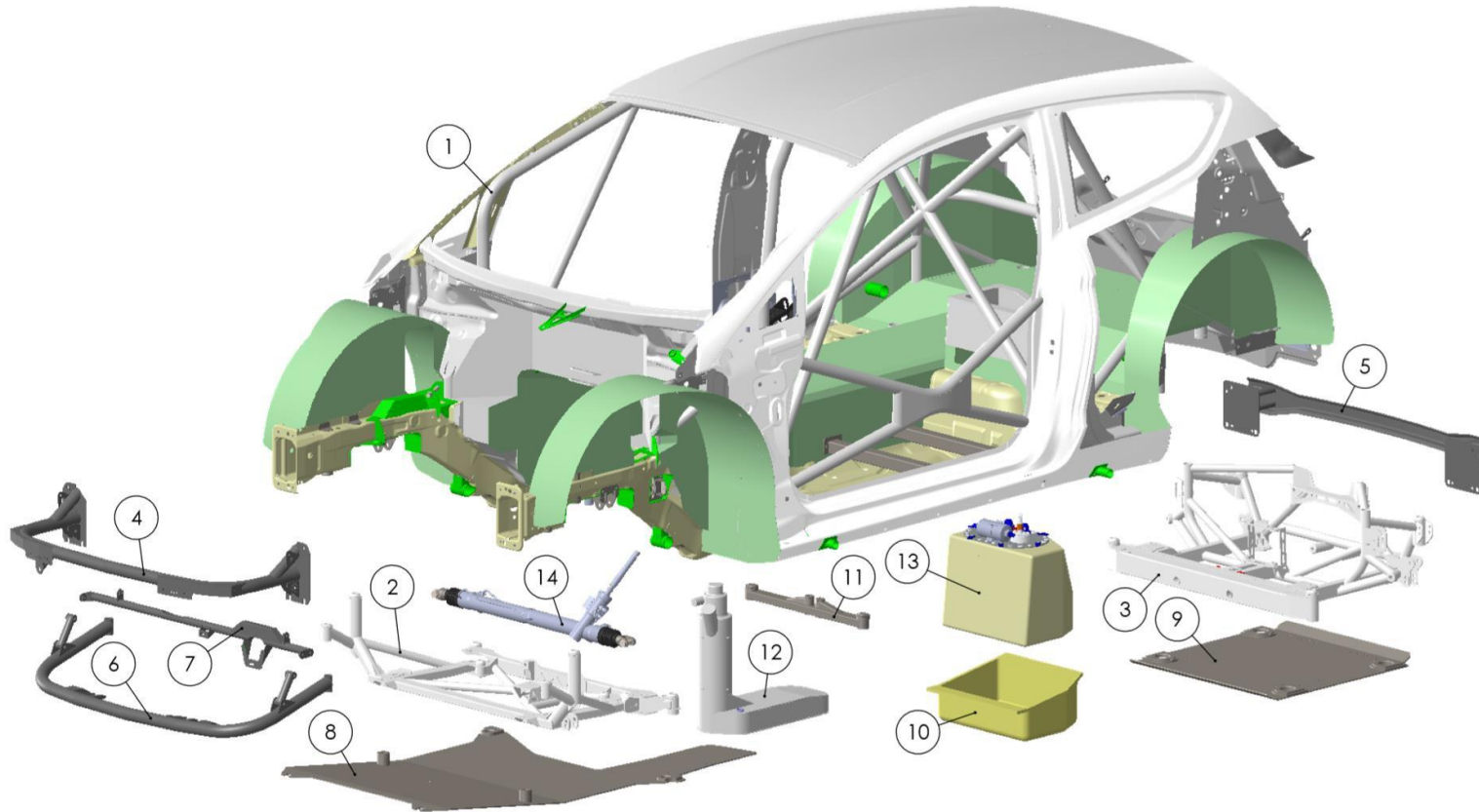
Olsbergs MSE

Ford Fiesta ST FF2020

Spare parts catalog

2020

Main chassis parts

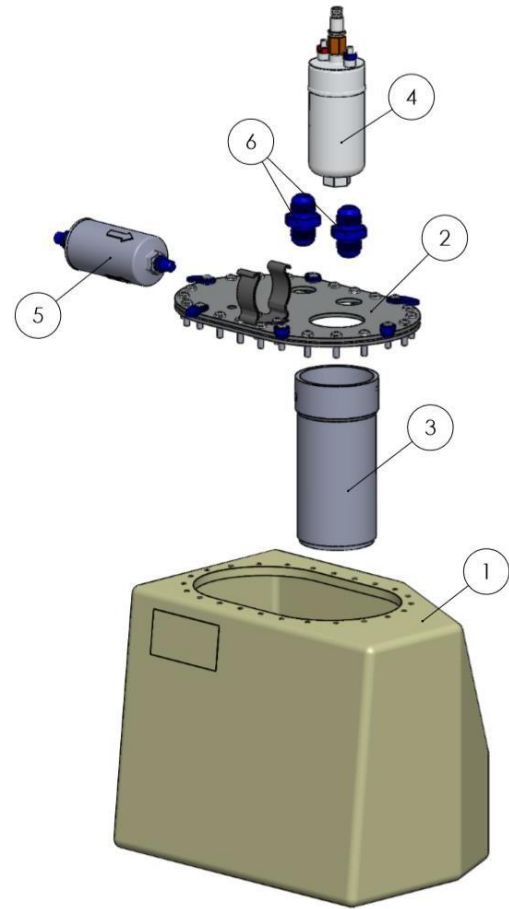


ITEM NO.	DESCRIPTION	PART NUMBER	Q.
1	Chassis		1
2	Front sub-frame	OM20088	1
3	Rear sub-frame	OM20133	1
4	Front crash bar	OM20051	1
5	Rear crash bar	OM20055	1
6	Skid plate support	OM20052	1
7	Oil cooler support	OM20053	1
8	Front skid plate	OM20008	1
9	Rear skid plate	OM20135	1
10	Fuel cell guard	OM10010	1
11	Gearbox support	OM20054	1
12	Oil tank	OM20521	1
13	Fuel cell ass.	OM10226	1
14	Steering rack ass.	OM20087	1

Notes:

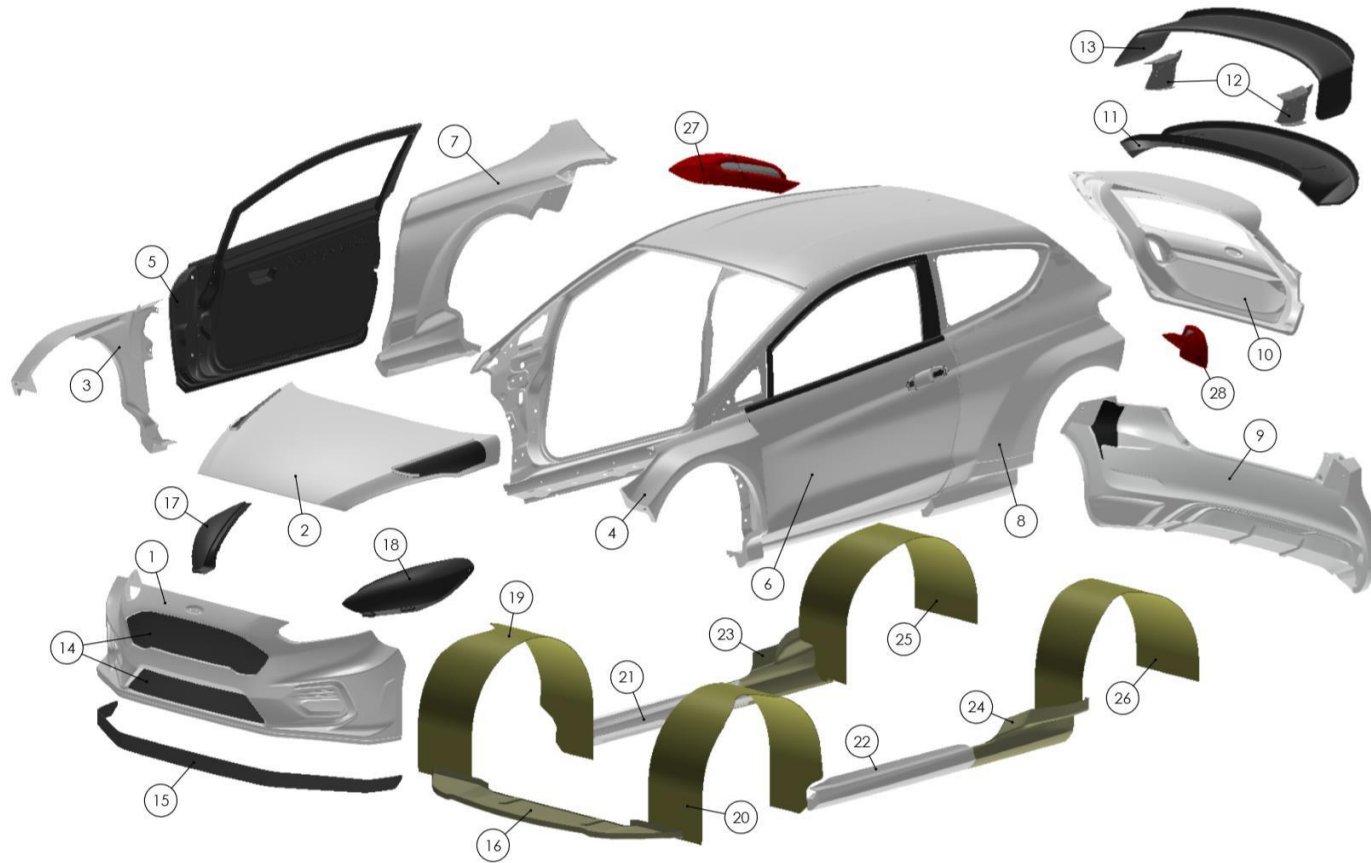
- Front and rear skid plates can be made from steel or alloy.

Fuel cell assembly



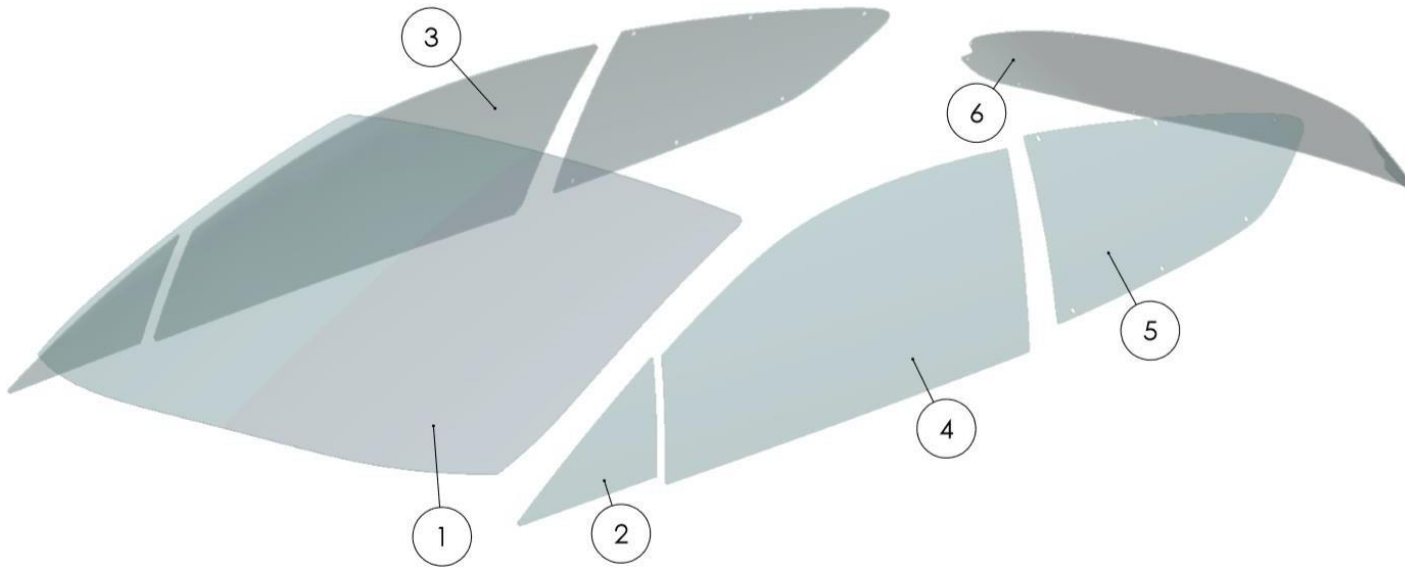
ITEM NO.	DESCRIPTION	PART NUMBER	Q.
1	Fuel cell	OM10226	1
2	Top plate	OM10225	1
3	Catch tank		1
4	Main Fuel pump	OM10222	1
5	Fuel filter	OM10224	1
6	Fill house fit.		2

Body kit



ITEM NO.	DESCRIPTION	PART NUMBER	Q.
1	Front bumper	OM20001	1
2	Hood	OM20006	1
3	Front fender (RH)	OM20013	1
4	Front fender (LH)	OM20011	1
5	Door (RH)	OM20477	1
6	Door (LH)	OM20025	1
7	Rear fender (RH)	OM20017	1
8	Rear fender (LH)	OM20015	1
9	Rear bumper	OM20003	1
10	Tail gate	OM20037	1
11	Rear spoiler lower	OM20492	1
12	Wing bracket left	OM20493L	1
12	Wing bracket right	OM20493R	1
13	Rear wing top	OM10007	1
14	Front top mesh	OM20475	1
14	Front lower mesh	OM20476	
15	Front spoiler		1
16	Front splitter	OM20009	1
17	Headlight (RH)	OM20045	1
18	Headlight (LH)	OM20046	1
19/20	Front wh. arch	OM10043	1
21	Sill (RH)	OM20023	1
22	Sill (LH)	OM20021	1
23	Stone guard (RH)	OM20020	1
24	Stone guard (LH)	OM20019	1
25/26	Rear wh. arch	OM10044	1
27	Tail light Left	OM20048_1	1
27	Tail light Right	OM20047_1	1
28	Tail light Left corner	OM20048	1
28	Tail light Right corner	OM20047	1

Windows

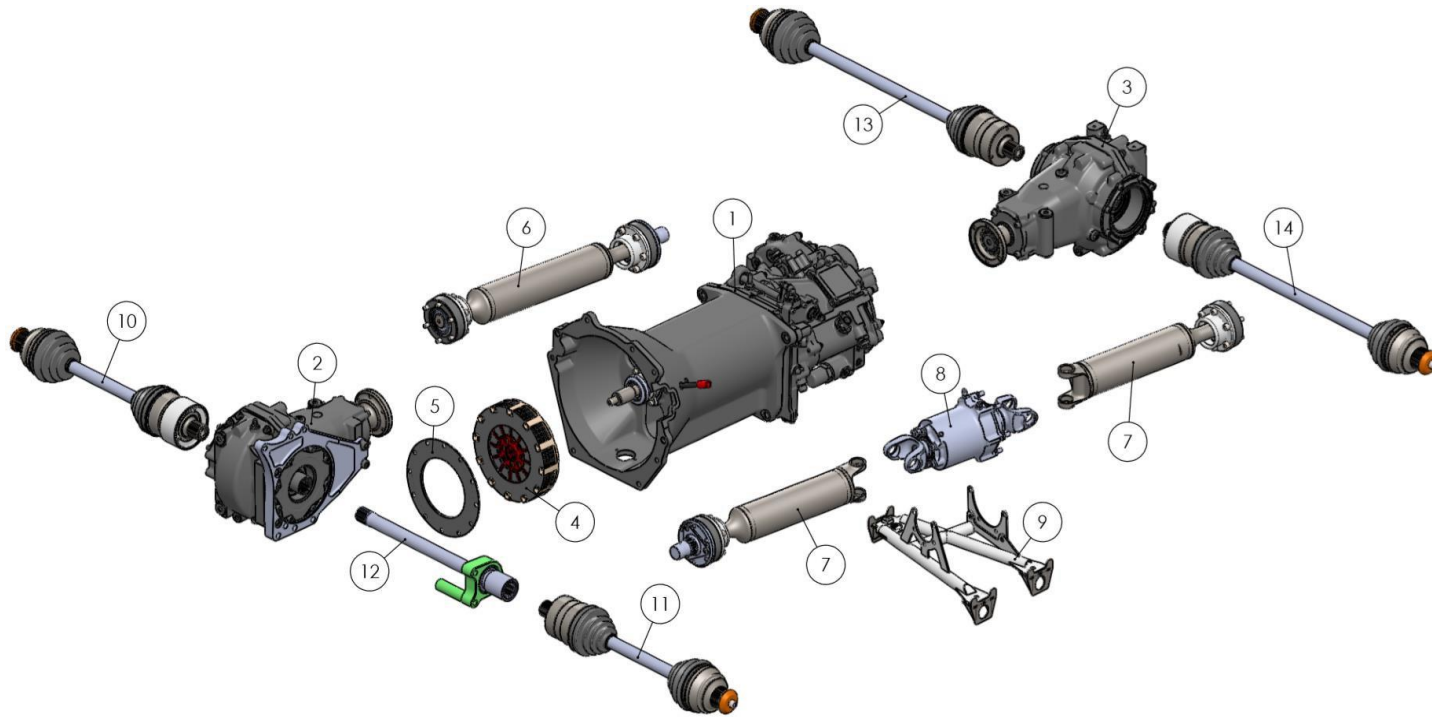


ITEM NO.	DESCRIPTION	PART NUMBER	Q.
1	Windscreen	AV4955	1
2	Front side wind.	OM20035	2
3	Door side wind. (RH)	OM20031	1
4	Door side wind. (LH)	OM20030	1
5	Rear side wind.	OM20032	1
6	Rear wind.	OM20038	1

Notes:

- Windscreen can be plastic or glass.

Transmission + driveline elements

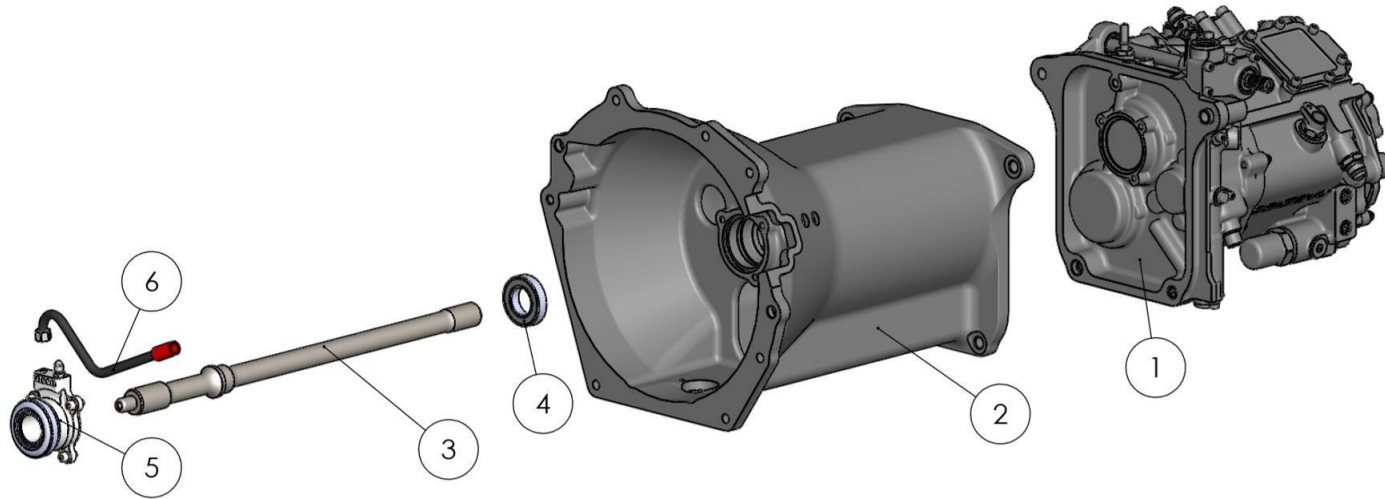


ITEM NO.	DESCRIPTION	PARTNUMBER	Q.
1	Gearbox ass.-		1
2	Front diff.	OM20366	1
3	Rear diff.	OM20386	1
4	Clutch	OM10296	1
5	Clutch preload adj. plate	OM10294	1
6	Front propshaft ass.	OM20392	1
7	Rear propshaft ass.	OM20393	2
8	Rear axle release	OM20400	1
9	Rear axle release support	OM20401	1
10	Front driveshaft (RH) ass.	OM20369	1
11	Front driveshaft (LH) ass	OM20370	1
12	Fixed shaft ass.	OM20402	1
13	Rear driveshaft (RH) ass.	OM20371	1
14	Rear driveshaft (LH) ass	OM20372	1

Notes:

- There is possibility to use open central differential. In this case single rear propshaft can be provided

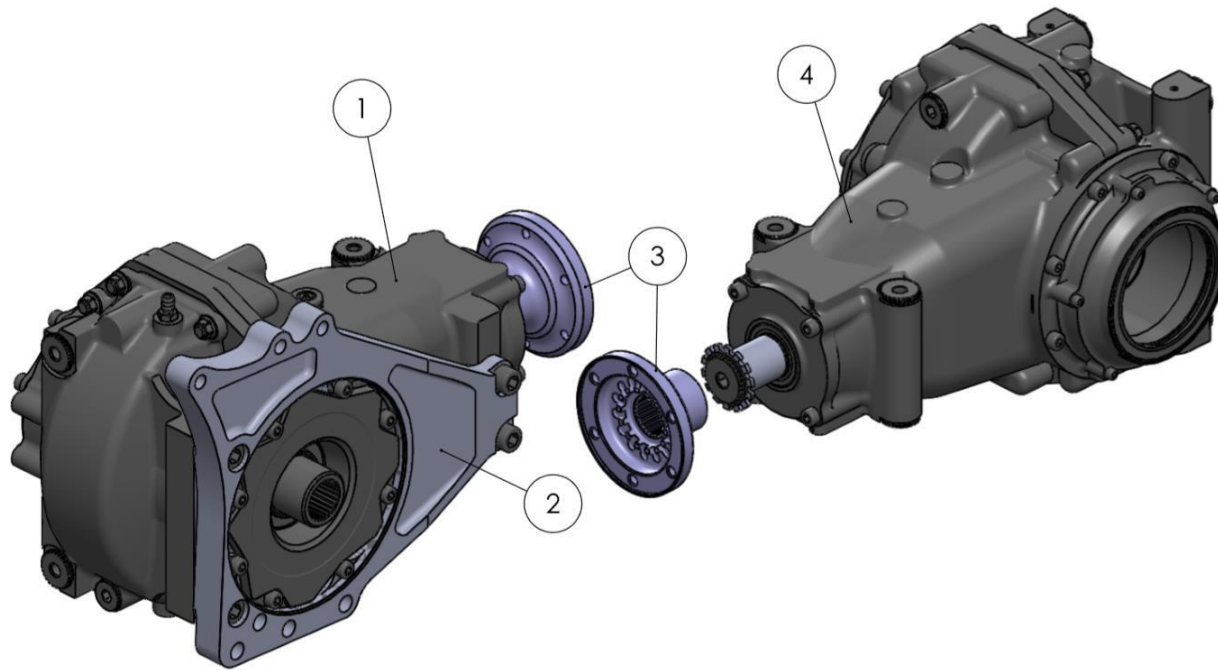
Gearbox assembly



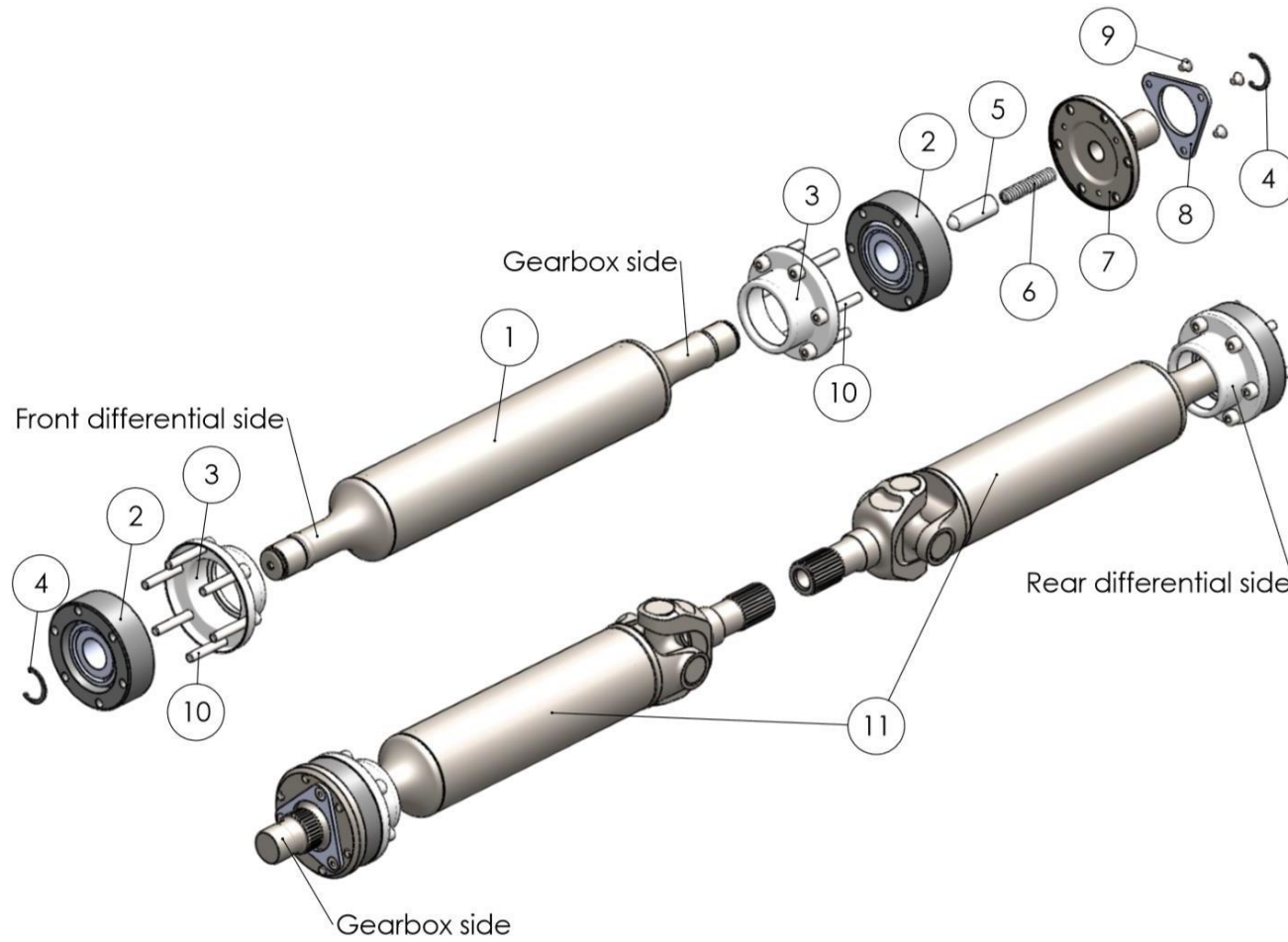
ITEM NO.	DESCRIPTION	PART NUMBER	Q.
1	Gearbox	OM10337	1
2	Transmission bell-house	OM10336	1
3	Input shaft	OM10349	1
4	Support bearing		1
5	Clutch release bearing	OM10298	1
6	Clutch actuation hose		1

Differentials assembly

ITEM NO.	DESCRIPTION	PART NUMBER	Q.
1	Front differential	OM20366	1
2	Front diff. side mounting		1
3	Diff. input flange	OM20403	1
4	Rear differential	OM20386	1



Prop shafts

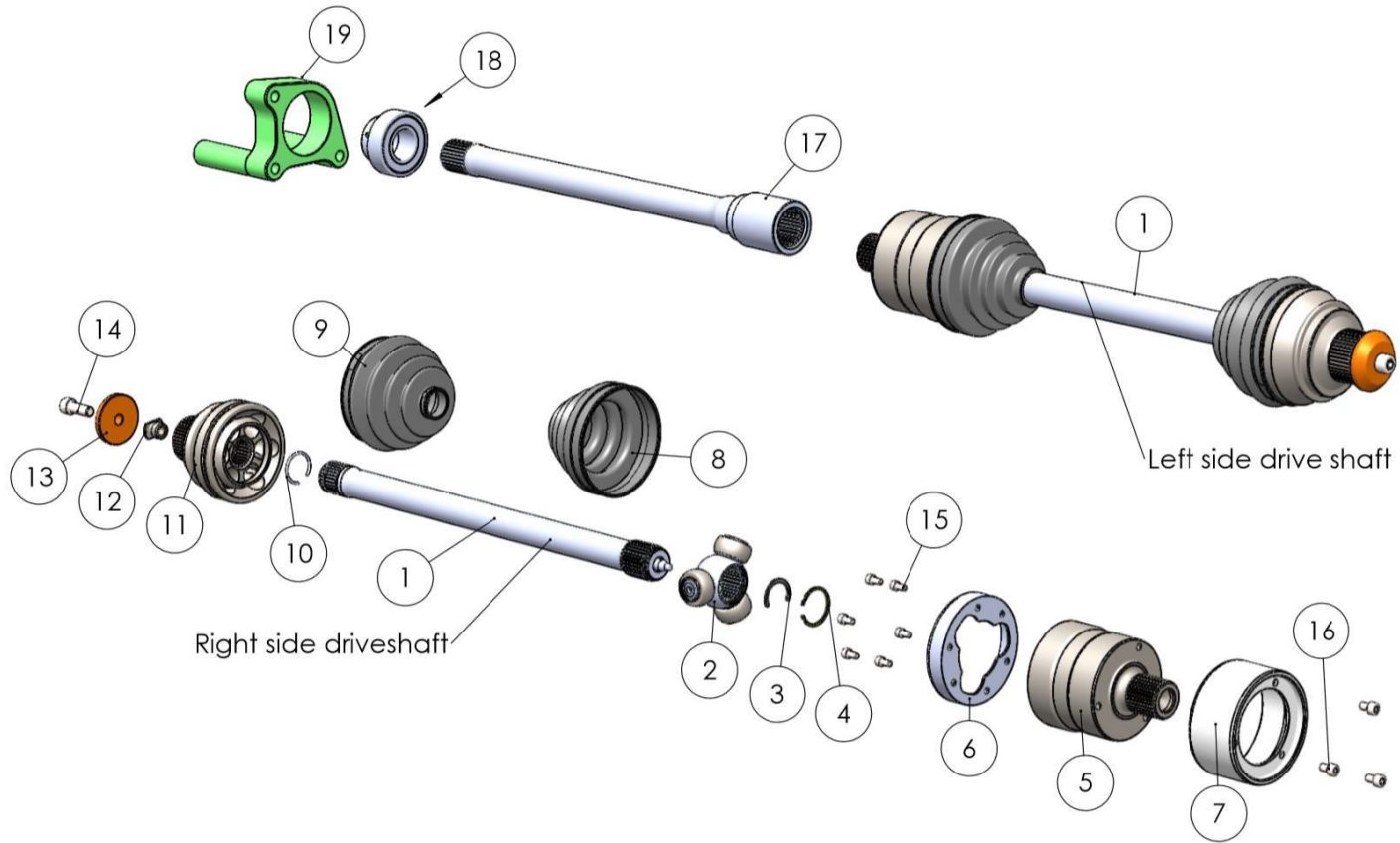


ITEM NO.	DESCRIPTION	PART NUMBER	Q.
1	Front prop shaft	OM20392_1	1
2	CV joint	OM20392_2	2
3	CV joint boot	OM20392_3	2
4	Circlip	OM20392_4	2
5	Plunge	OM20392_5	1
6	Preload spring	OM20392_6	1
7	Gearbox output flange	OM20392_7	1
8	Spacer	OM20392_8	1
9	Bolt M8x45	-	12
10	Bolt M6x8 (Conical)	-	3
11	Rear prop shaft	OM20393_1	1

Notes:

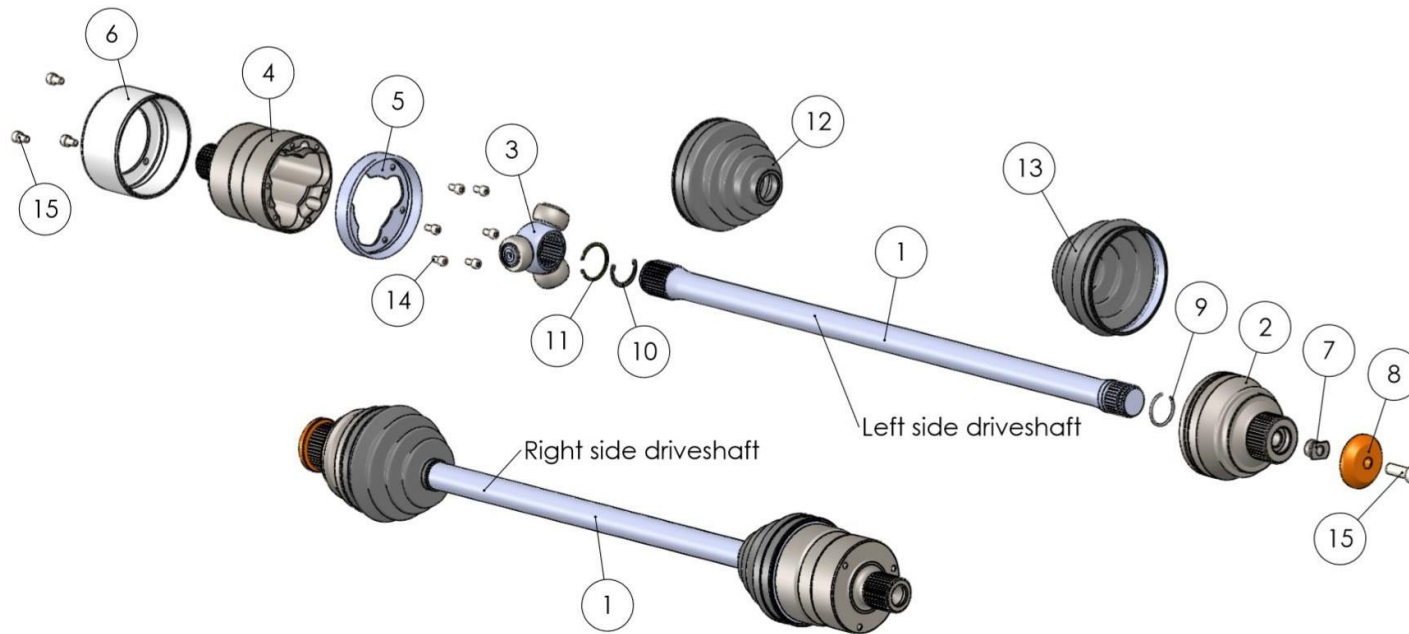
- Front and rear propshafts have identical joints.

Front drive-shafts



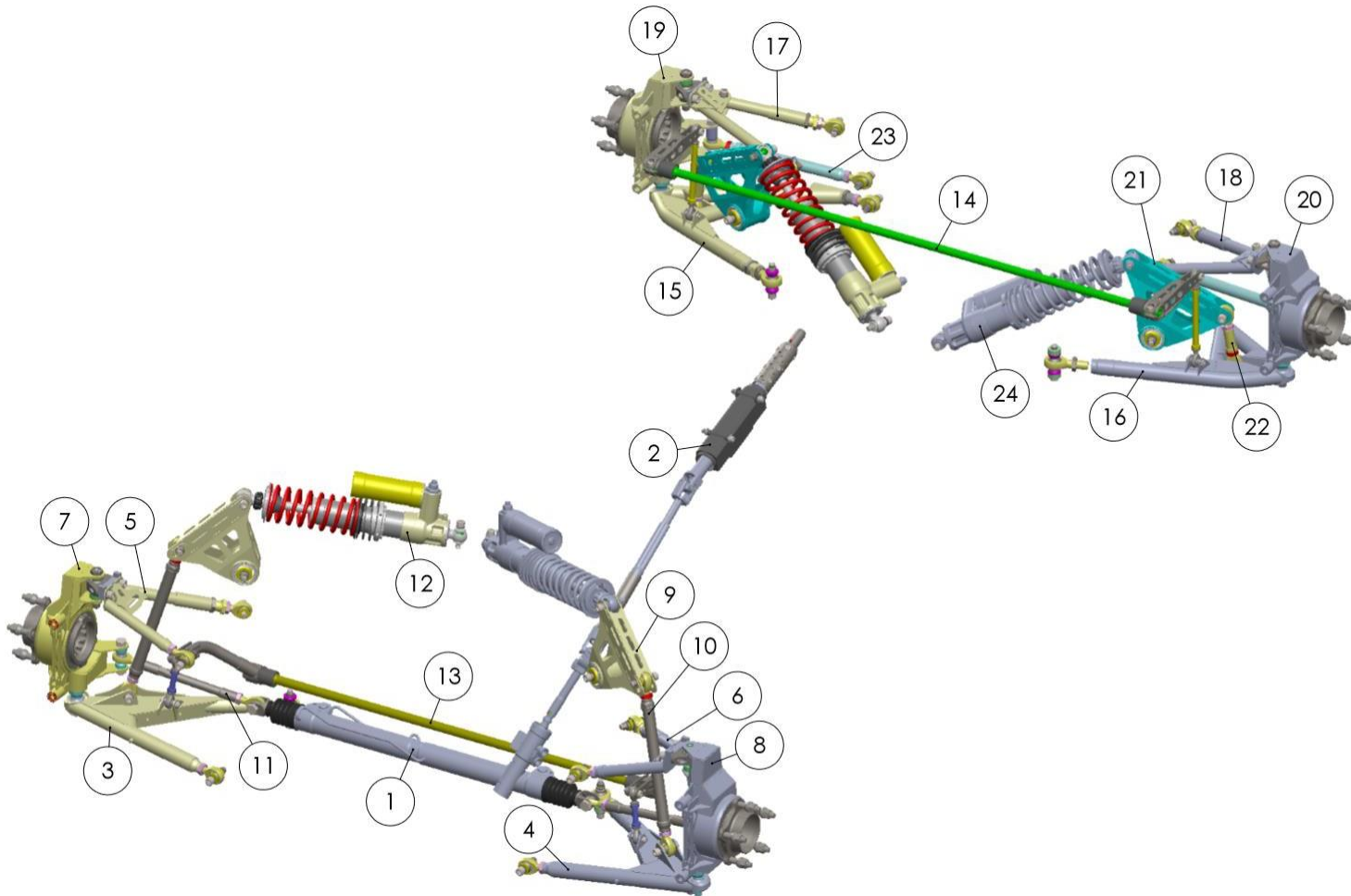
ITEM NO.	DESCRIPTION	PART NUMBER	Q.
1	Front driveshaft (RH/LH)	OM20373	1
2	Tripod joint	OM10375	1
3	Circlip - 1	OM10374	1
4	Circlip - 2	OM10374_1	1
5	Tripod housing	OM10377	1
6	Tripod locker	OM10376	1
7	Diff. sealing ring	OM10378	1
8	Tripod boot	OM10379	1
9	CV joint boot	OM10381	1
10	CV joints circlip	-	1
11	Outer CV joint	OM20380	1
12	Insert		1
13	Washer	OM20394	1
14	Bolt M 16x40	-	1
15	Bolt M5x10	-	6
16	Bolt M6x12	-	3
17	Intermedia shaft	OM10383	1
18	Support bearing	OM10385	1
19	Support	OM10384	1

Rear driveshafts



ITEM NO.	DESCRIPTION	PART NUMBER	Q.
1	Rear driveshaft (LH/RH)	OM20387	1
2	Outer CV joint	OM20380	1
3	Tripod joint	OM10375	1
4	Tripod housing	OM10377	1
5	Tripod locker	OM10376	1
6	Diff. sealing ring	OM10378	1
7	Insert		1
8	Washer	OM20394	1
9	CV joint circlip	-	1
10	Circlip - 1	OM10374	1
11	Circlip - 2	OM10374_1	1
12	Tripod boot	OM10379	1
13	CV joint boot	OM10381	1
14	Bolt M5x10	-	6
15	Bolt M16 x 40	-	3

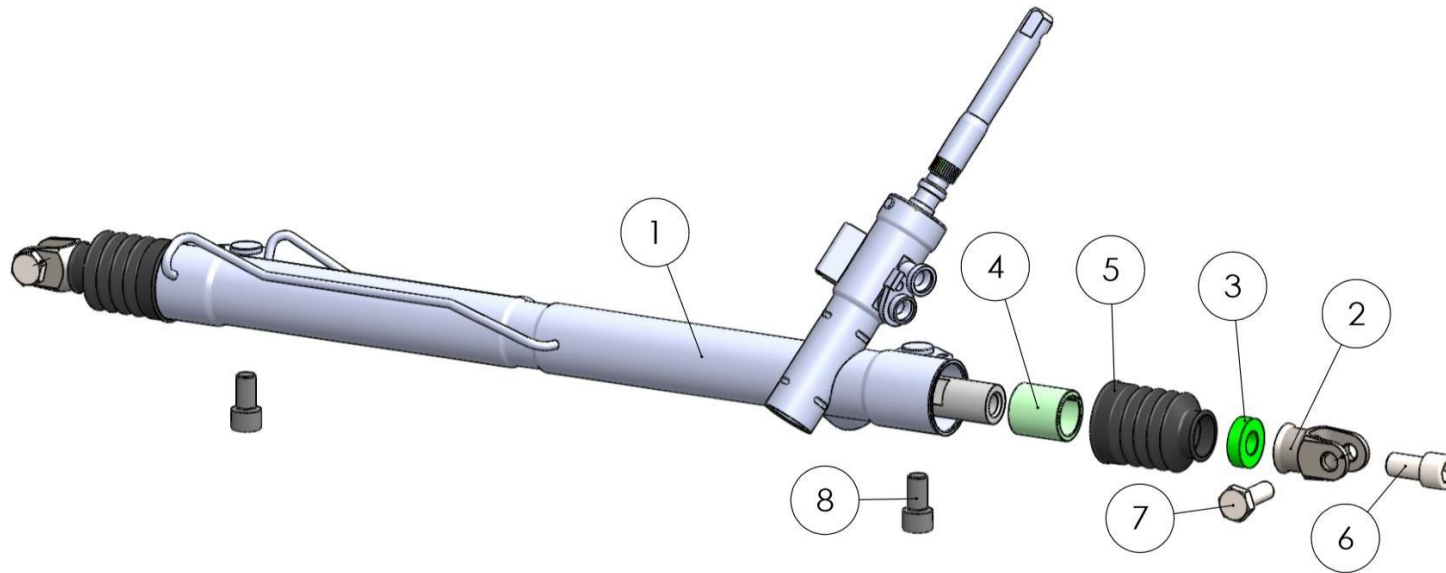
Suspension + steering



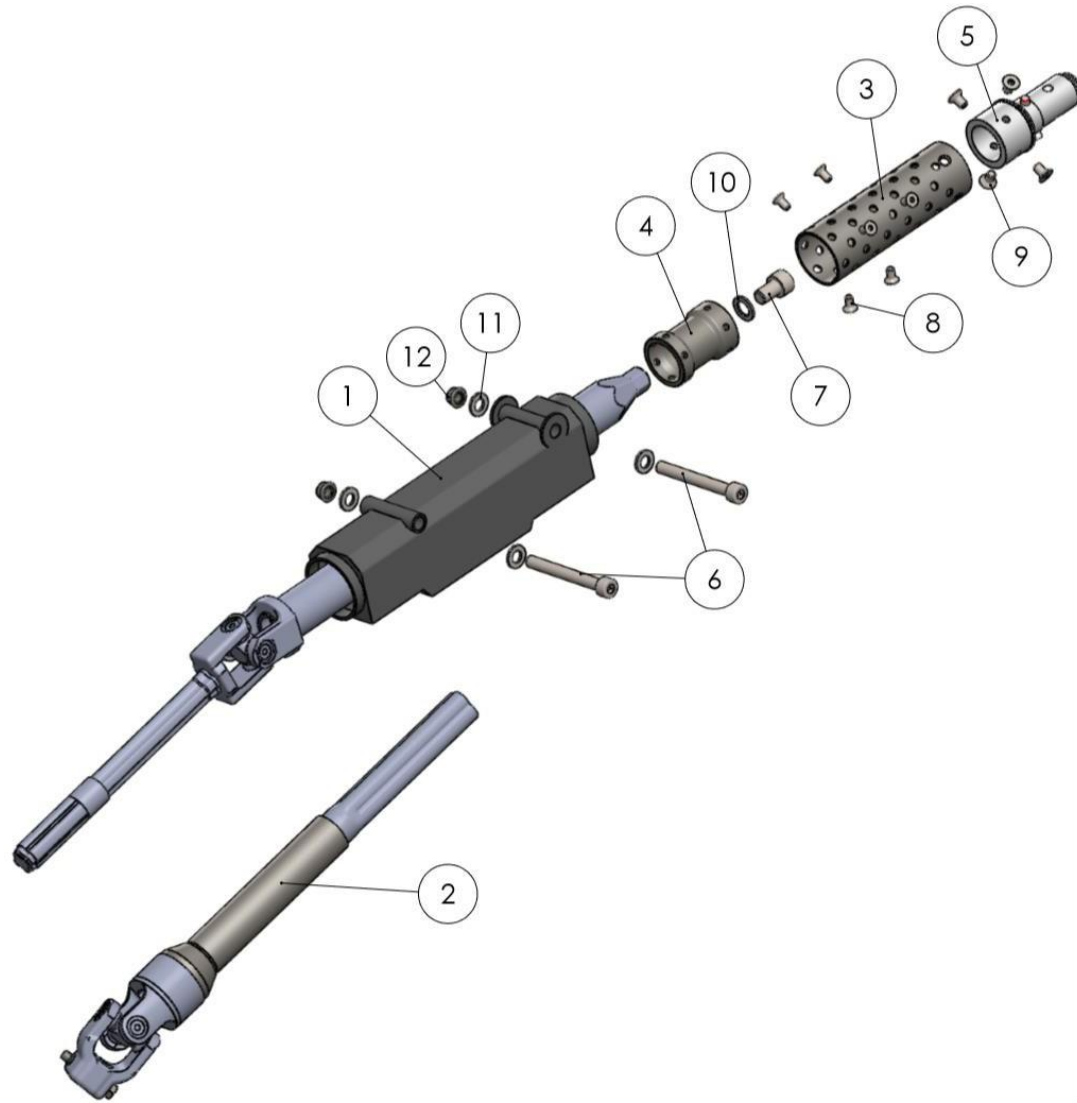
ITEM NO.	DESCRIPTION	PART NUMBER	Q.
1	Steering rack ass.	OM20087	1
2	Steering column ass.	OM20092	1
3	Front lower arm (RH) ass.	OM20089R	1
4	Front lower arm (LH) ass.	OM20089L	1
5	Front top arm (RH) ass.	OM20097R	1
6	Front top arm (LH) ass.	OM20097L	1
7	Front upright (RH) ass.	OM20108R	1
8	Front upright (LH) ass.	OM20108L	1
9	Front rocker ass.	OM20500	2
10	Front pushrod ass.	OM20501	2
11	Steering rod ass.	OM20125	2
12	Front damper	OM20436	1
13	Front antiroll bar ass.		1
14	Rear antiroll bar ass.		1
15	Rear lower arm (RH) ass.	OM20151R	1
16	Rear lower arm (LH) ass.	OM20151L	1
17	Rear top arm (RH) ass.	OM20136R	1
18	Rear top arm (LH) ass.	OM20136L	1
19	Rear upright (RH) ass.	OM20163R	1
20	Rear upright (LH) ass.	OM20163L	1
21	Rear rocker ass.	OM20510	2
22	Rear pushrod ass.	OM20511	2
23	Toe rod ass.	OM20175	2
24	Rear damper	OM20437	2

Steering rack

ITEM NO.	DESCRIPTION	PART NUMBER	Q.
1	Rack	OM20087_1	1
2	Rack ends	OM20087_2	2
3	Spacer	OM20087_3	2
4	Stopper	OM20087_4	2
5	Dust boot	OM20087_5	2
6	Bolt M16x30	-	2
7	Bolt 1/2x20, L38	-	2
8	Bolt M14x25	-	2

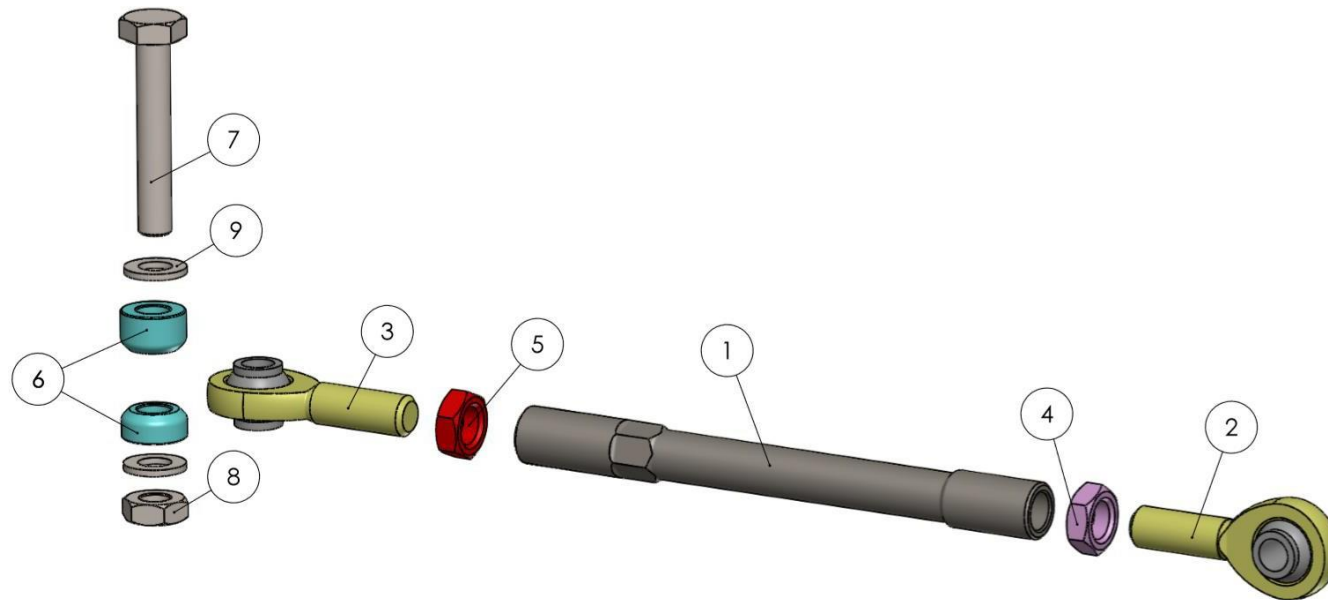


Steering column



ITEM NO.	DESCRIPTION	PART NUMBER	Q.
1	Housing + primary shaft	OM20092_1	1
2	Output shaft		1
3	Shaft extension	OM20092_3	1
4	Adapter	OM20092_2	1
5	Snap off complete	OM20092_4	2
6	Bolt M8x70	-	2
7	Bolt M10x16	-	1
8	Bolt M5x10	-	6
9	Bolt M6x10	-	4
10	Washer d11	-	1
11	Washer d8.5	-	4
12	Nut M8	-	2

Steering rod

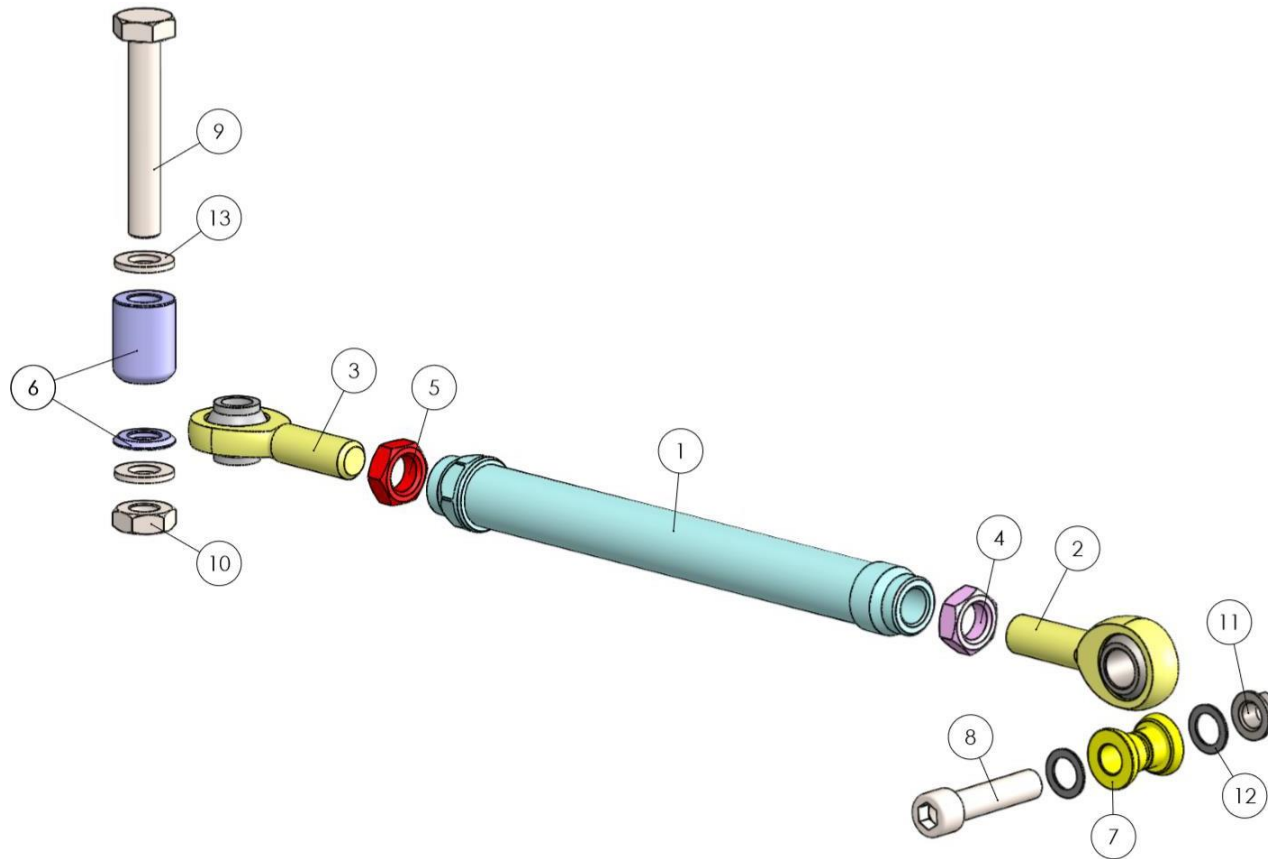


ITEM NO.	DESCRIPTION	PART NUMBER	Q.
1	Steering rod.	OM20126	1
2	Rod end - 1 (RH thread)	OM10129	1
3	Rod end - 1 (LH thread)	OM20129	1
4	Nut 5/8-18 (RH thread)	OM10094	1
5	Nut 5/8-18 (LH thread)	OM10140	1
6	Outer joint spacer pack.	OM20127	1
7	Bolt ½-20, L76	-	1
8	Nut ½-20	-	1
9	Washer d13	-	2

Notes:

- Size of outer joint spacers depends on front suspension linkage setup.

Rear toe rod

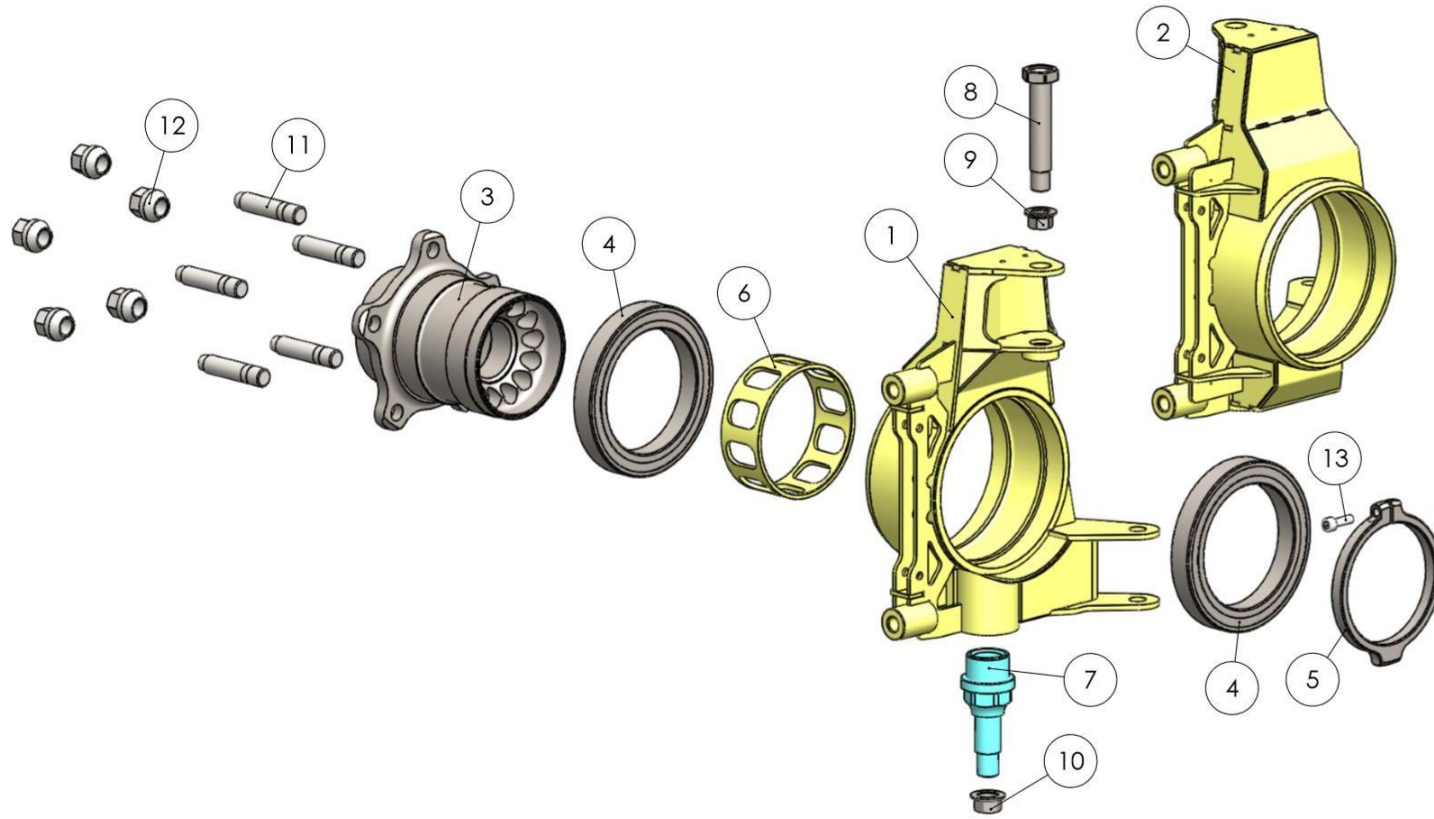


ITEM NO.	DESCRIPTION	PART NUMBER	Q.
1	Toe rod	OM20176	1
2	Rod end - 2 (RH thread)	OM10096	1
3	Rod end - 1 (LH thread)	OM20129	1
4	Nut 5/8-18 (RH thread)	OM10094	1
5	Nut 5/8-18 (LH thread)	OM10140	1
6	Outer joint spacer pack.	OM20179	1
7	Spacer 30	OM10095	2
8	Bolt M12x1.5, L55	-	1
9	Bolt ½-20, L83	-	1
10	Nut ½-20	-	1
11	Nut M12x1.5	-	1
12	Washer d12	-	2
13	Washer d13	-	2

Notes:

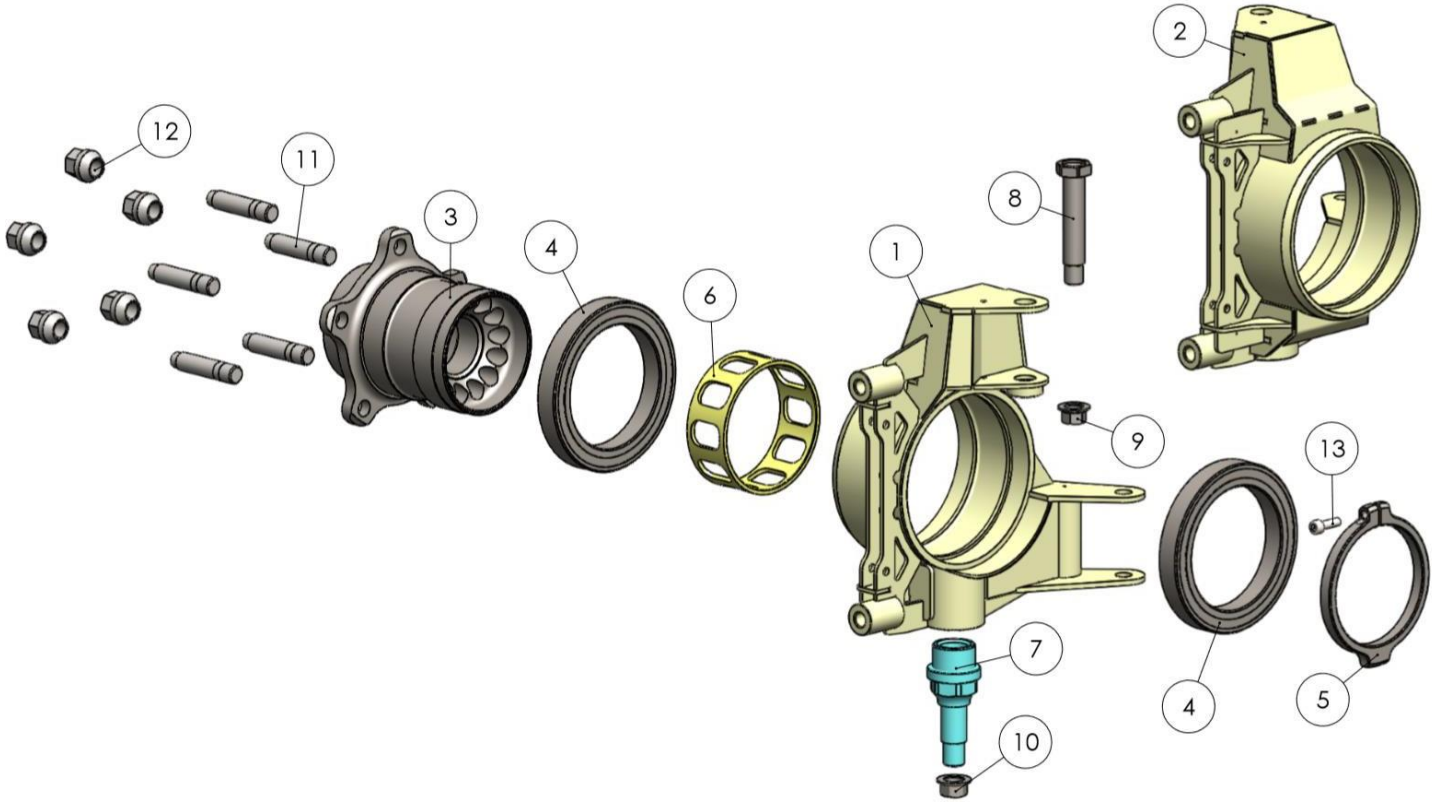
- Size of outer joint spacers depends on rear suspension linkage setup.

Front wheel upright assembly



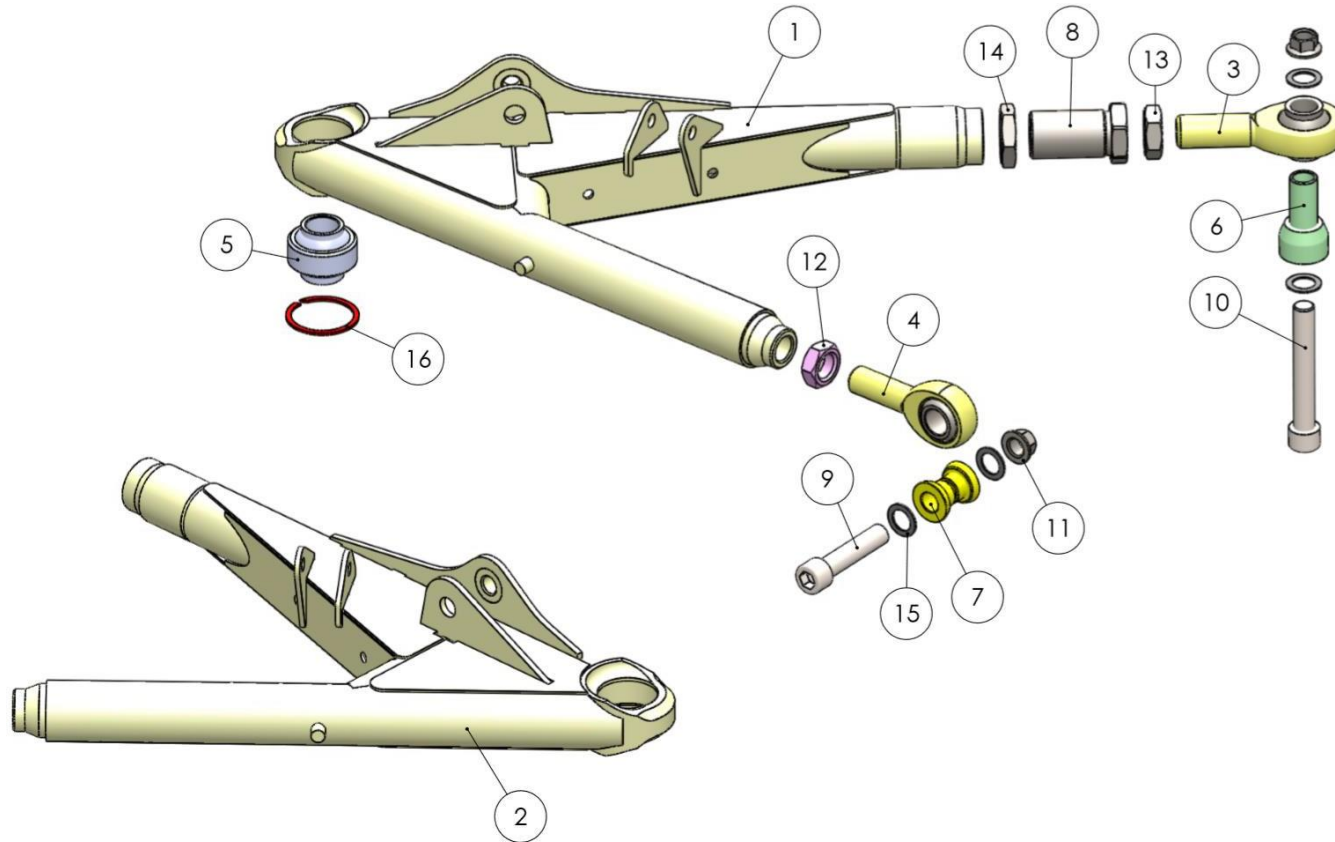
ITEM NO.	DESCRIPTION	PART NUMBER	Q.
1	Front upright (RH)	OM20110	1
2	Front upright (LH)	OM20109	1
3	Hub	OM10512	1
4	Bearing	OM10111	2
5	Hub lock nut	OM10119	1
6	Bearing spacer	OM10167	1
7	Lower king pin 28 mm	OM20118	1
8	Top Bolt	OM20219	1
9	K-Nut M14x1.5	OM10117	1
10	K-Nut 5/8-18	OM20117	1
11	Wheel studs	OM10114	5
12	Wheel nuts	OM10116	5
13	Bolt M6x20	-	1

Rear wheel upright assembly



ITEM NO.	DESCRIPTION	PART NUMBER	Q.
1	Rear upright (RH)	OM20165	1
2	Rear upright (LH)	OM20164	1
3	Hub	OM10512	1
4	Bearing	OM10111	2
5	Hub lock nut	OM10119	1
6	Bearing spacer	OM10167	1
7	Lower king pin 28 mm	OM20173	1
8	Top Bolt	OM20219	1
9	Nut M14x1.5	OM10117	1
10	Nut 5/8-18	OM20117	1
11	Wheel studs	OM10114	5
12	Wheel nuts	OM10116	5
13	Bolt M6x20		1

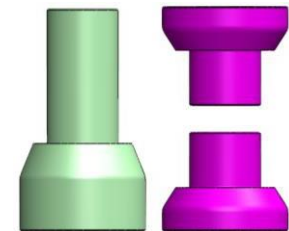
Front lower arm assembly



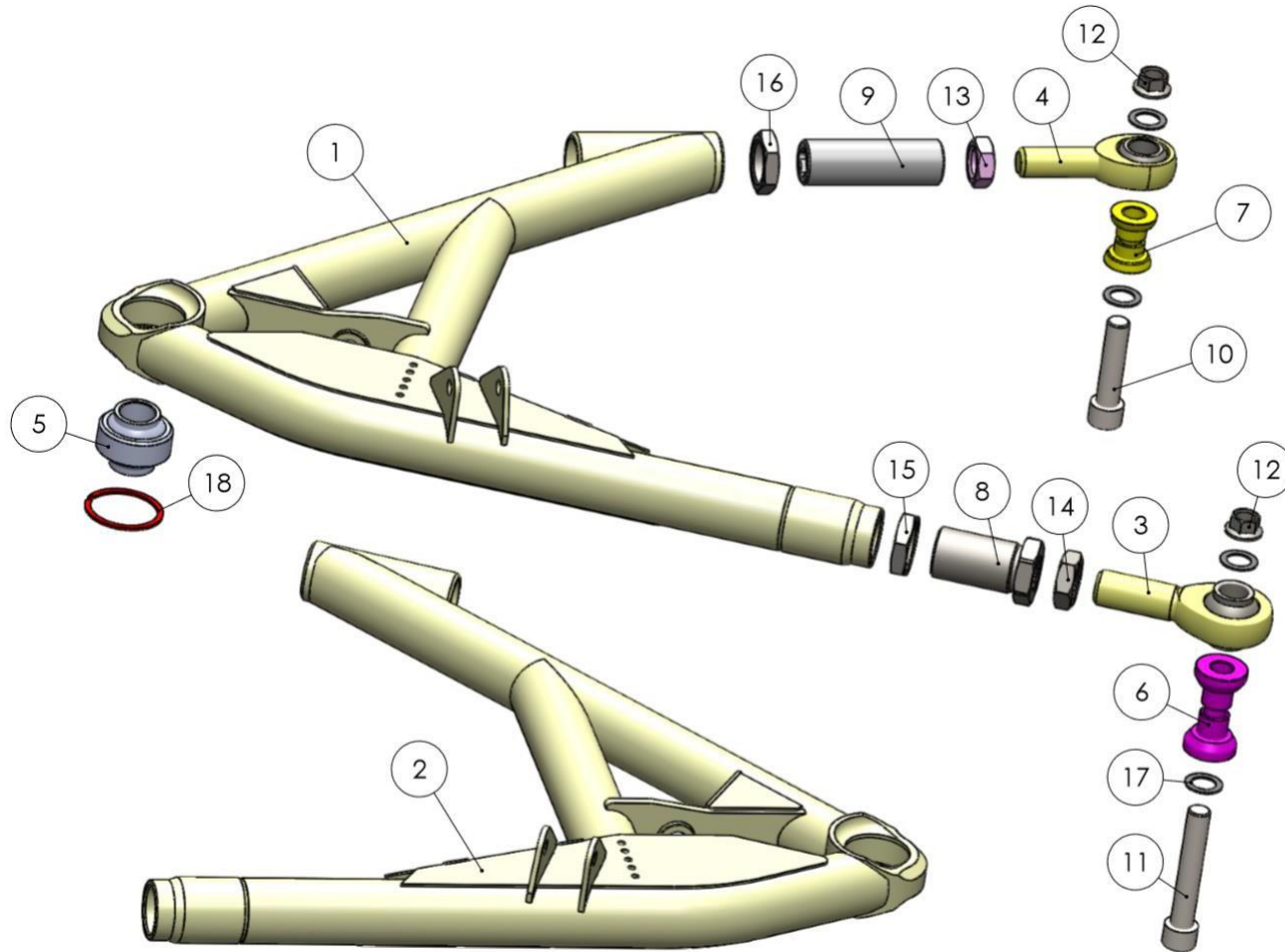
ITEM NO.	DESCRIPTION	PART NUMBER	Q.
1	Front lower arm (RH)	OM20091	1
2	Front lower arm (LH)	OM20090	1
3	Rod end 3/4 (RH thread)	OM20148	1
4	Rod end 5/8 (RH thread)	OM10096	1
5	Outer joint	OM10092	1
6	Spacer 50	OM20095	1
7	Spacer - 30	OM10095	2
8	Length adjuster - 27	OM20146	1
9	Bolt M12x1.5, L55	-	1
10	Bolt M12x1.5, L75	-	1
11	Nut M12x1.5	-	2
12	Nut 5/8-18 (RH)	OM10094	1
13	Nut 3/4-16 (RH)	OM20149	1
14	Nut M27x1.5 (LH)	OM20147	1
15	Washer d12	-	4
16	Circlip - 40	OM10093	1

Notes:

- Size of inner joint spacers depends on front suspension linkage setup (there are two types of spacers).



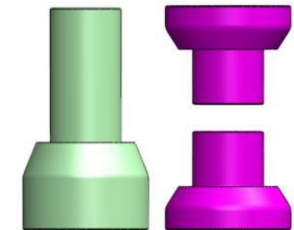
Rear lower arm assembly



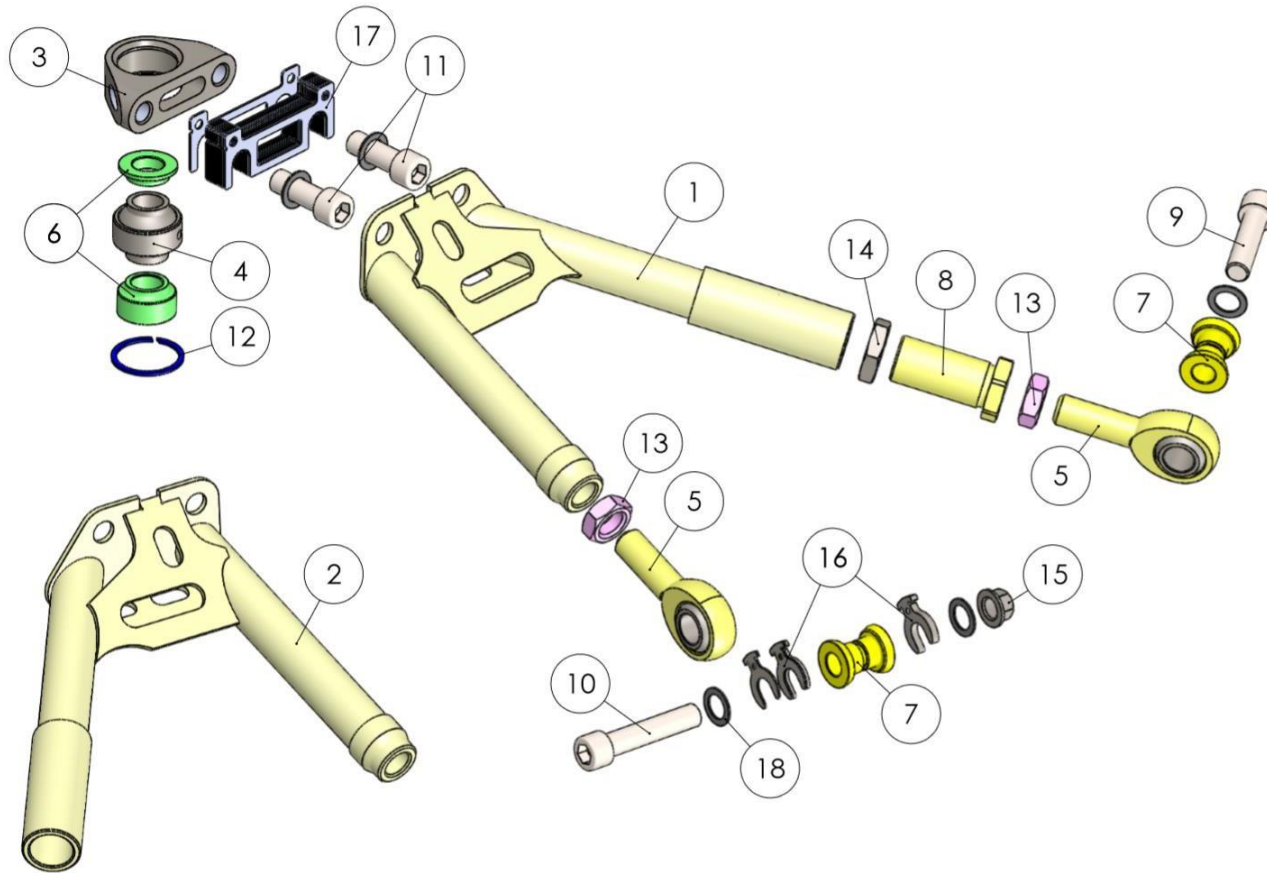
ITEM NO.	DESCRIPTION	PART NUMBER	Q.
1	Rear lower arm (RH)	OM20153	1
2	Rear lower arm (LH)	OM20152	1
3	Rod end 3/4 (RH thread)	OM20148	1
4	Rod end 5/8 (RH thread)	OM10096	1
5	Outer joint	OM10092	1
6	Spacer 50	OM20095_1	2
7	Spacer - 30	OM10095	2
8	Length adjuster - 27	OM20146	1
9	Length adjuster - 24	OM20104	1
10	Bolt M12x1.5, L55	-	1
11	Bolt M12x1.5, L75	-	1
12	Nut M12x1.5	-	2
13	Nut 5/8-18 (RH)	OM10094	1
14	Nut 3/4-16 (RH)	OM20149	1
15	Nut M27x1.5 (LH)	OM20147	1
16	Nut M24x1.5 (LH)	OM10103	1
17	Washer d12	-	4
18	Circlip - 40	OM10093	1

Notes:

- Size of inner joint spacers depends on rear suspension linkage setup (there are two types of spacers).

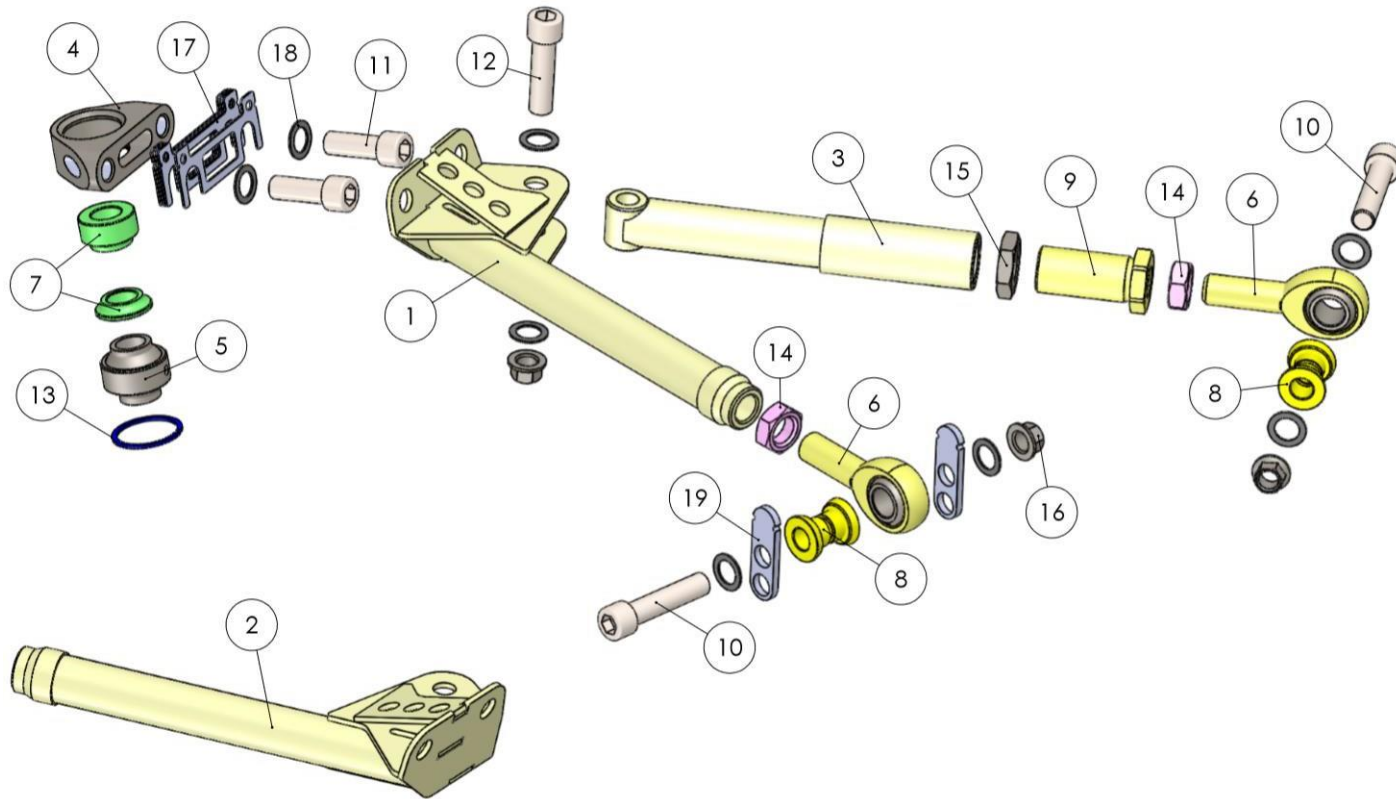


Front top arm assembly



ITEM NO.	DESCRIPTION	PART NUMBER	Q.
1	Front top arm (RH)	OM20099	1
2	Front top arm (LH)	OM20098	1
3	Outer joint housing	OM20100	1
4	Outer joint - 16	OM10101	1
5	Rod end - 2 (RH thread)	OM10096	2
6	Spacer - 7/17 (set)	OM20102	1
7	Spacer - 30	OM10095	4
8	Length adjuster - 24	OM10104	1
9	Bolt M12x1.5, L45	-	1
10	Bolt M12x1.5, L60	-	1
11	Bolt M12x1.5, L25	-	2
12	Circlip - 35 mm	OM10102	1
13	Nut 5/8-18 (RH)	OM10094	2
14	Nut M24x1.5 (LH)	OM10103	1
15	Nut M12x1.5	-	1
16	Shim spacer - 8 mm (set)	OM20103	1
17	Camber plate	OM20101	15
18	Washer d12	-	5

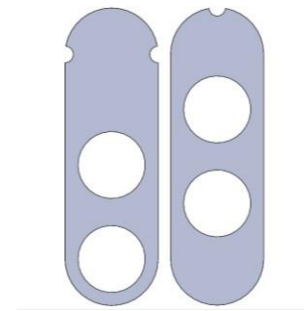
Rear top arm assembly



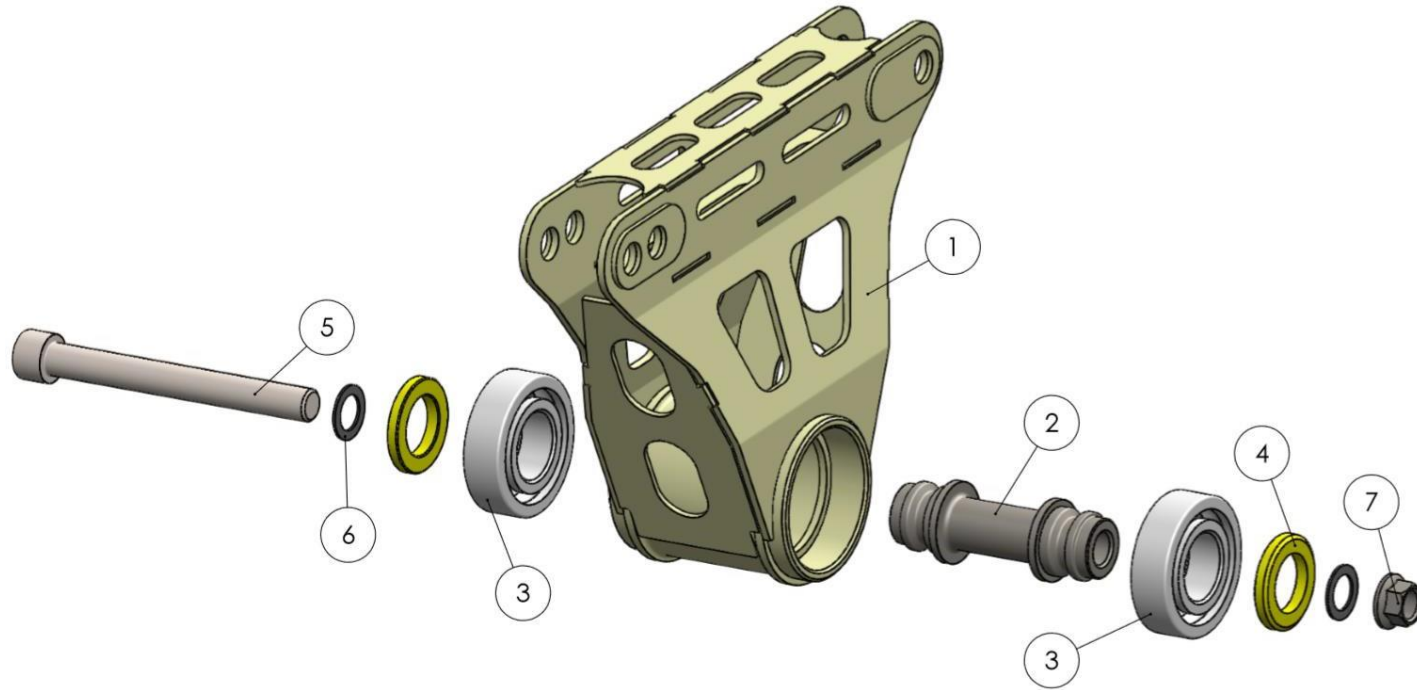
ITEM NO.	DESCRIPTION	PART NUMBER	Q.
1	Rear top arm (RH)	OM20138	1
2	Rear top arm (LH)	OM20137	1
3	Rod	OM20139	1
4	Outer joint housing	OM20100	1
5	Outer joint - 16	OM10101	1
6	Rod end - 2 (RH thread)	OM10096	2
7	Spacer - 7/17 (set)	OM20102	1
8	Spacer - 30	OM10095	4
9	Length adjuster - 24	OM10104	1
10	Bolt M12x1.5, L55	-	2
11	Bolt M12x1.5, L35	-	2
12	Bolt M12x1.5, L45	-	1
13	Circlip - 16	OM10102	1
14	Nut 5/8-18 (RH)	OM10094	2
15	Nut M24x1.5 (LH)	OM10103	1
16	Nut M12x1.5	-	3
17	Camber plate	OM20101	15
18	Washer d12	-	8
19	Inner joint position loop	OM20104	2

Notes:

- There are few different configuration inner joint position loops. Loop choice depends on top arm setup.

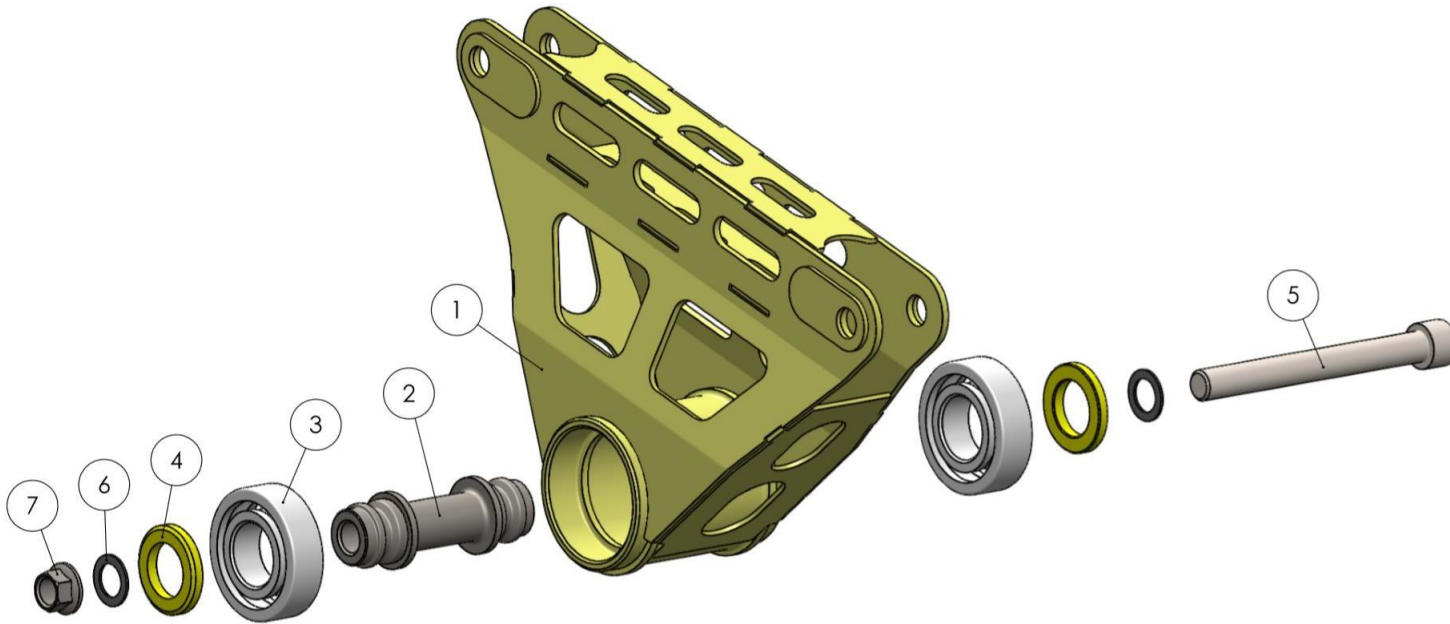


Front rocker assembly



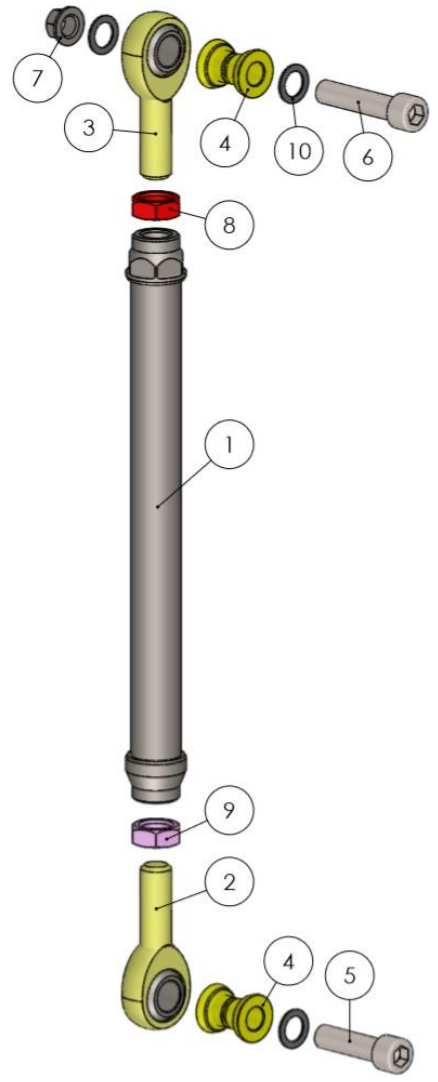
ITEM NO.	DESCRIPTION	PART NUMBER	Q.
1	Front rocker	OM20500_1	1
2	Axle	OM20500_2	1
3	Bearing	OM20500_3	2
4	Spacer	OM20500_4	2
5	Bolt M12x1.5, L110	-	1
6	Washer d12	-	2
7	Nut M12x1.5	-	1

Rear rocker assembly



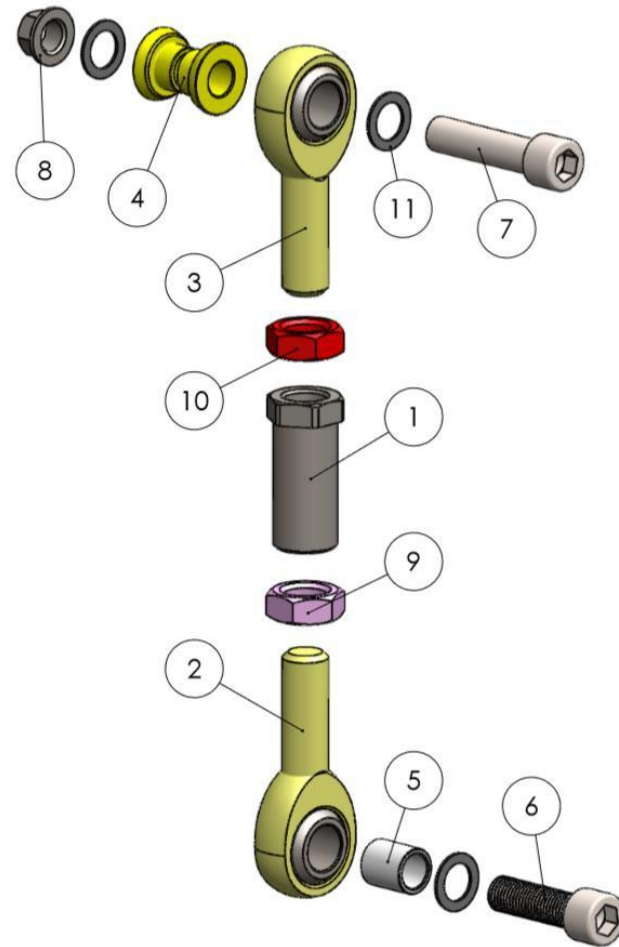
ITEM NO.	DESCRIPTION	PART NUMBER	Q.
1	Rear rocker	OM20510_1	1
2	Axle	OM20500_2	1
3	Bearing	OM20500_3	2
4	Spacer	OM20500_4	2
5	Bolt M12x1.5, L110	-	1
6	Washer d12	-	2
7	Nut M12x1.5	-	1

Front pushrods



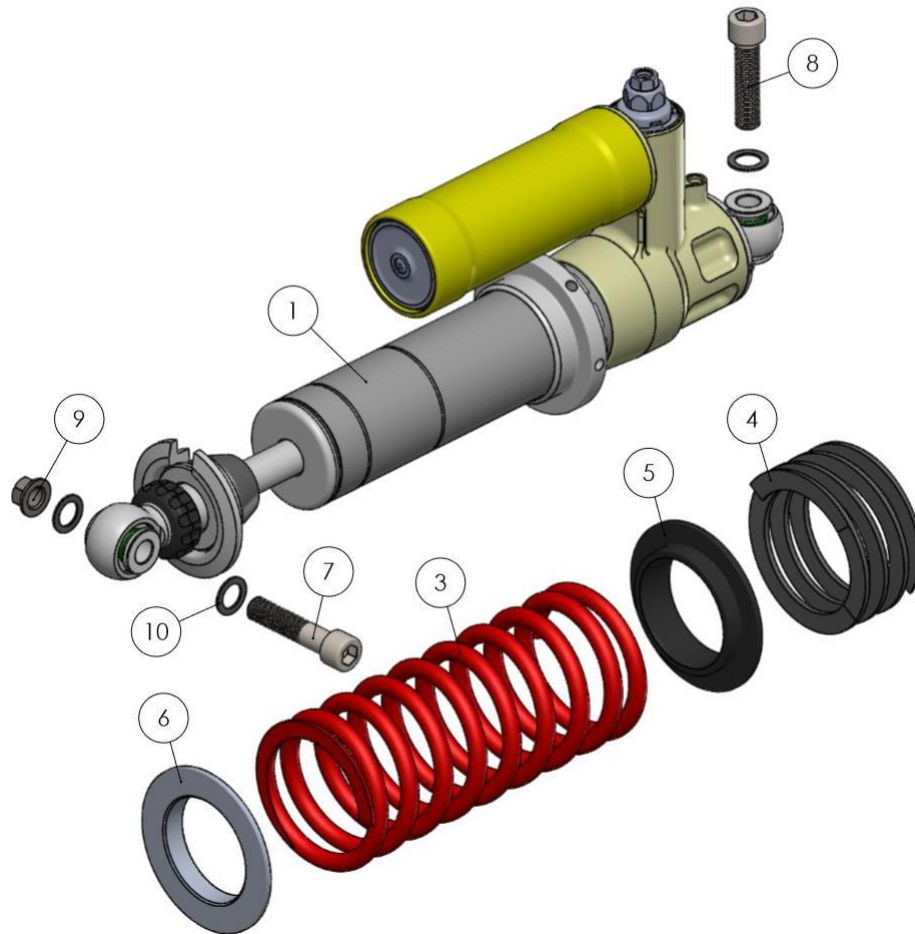
ITEM NO.	DESCRIPTION	PART NUMBER	Q.
1	Front pushrod	OM20501_1	1
2	Rod end - 2 (RH thread)	OM10096	1
3	Rod end - 2 (LH thread)	OM10144	1
4	Spacer - 30	OM10095	4
5	Bolt M12x1.5, L45	-	1
6	Bolt M12x1.5, L55	-	1
7	Nut M12x1.5	-	1
8	Nut 5/8-18 (LH thread)	OM10140	1
9	Nut 5/8-18 (RH thread)	OM10094	1
10	Washer d12	-	3

Rear pushrods



ITEM NO.	DESCRIPTION	PART NUMBER	Q.
1	Rear pushrod	OM20511_1	1
2	Rod end - 2 (RH thread)	OM10096	1
3	Rod end - 2 (LH thread)	OM10144	1
4	Spacer - 30	OM10095	4
5	Joint insert - 1	OM20511_2	1
6	Bolt M12x1.5, L45	-	1
7	Bolt M12x1.5, L55	-	1
8	Nut M12x1.5	-	1
9	Nut 5/8-18 (RH thread)	OM10094	1
10	Nut 5/8-18 (LH thread)	OM10140	1
11	Washer d12	-	3

Dampers

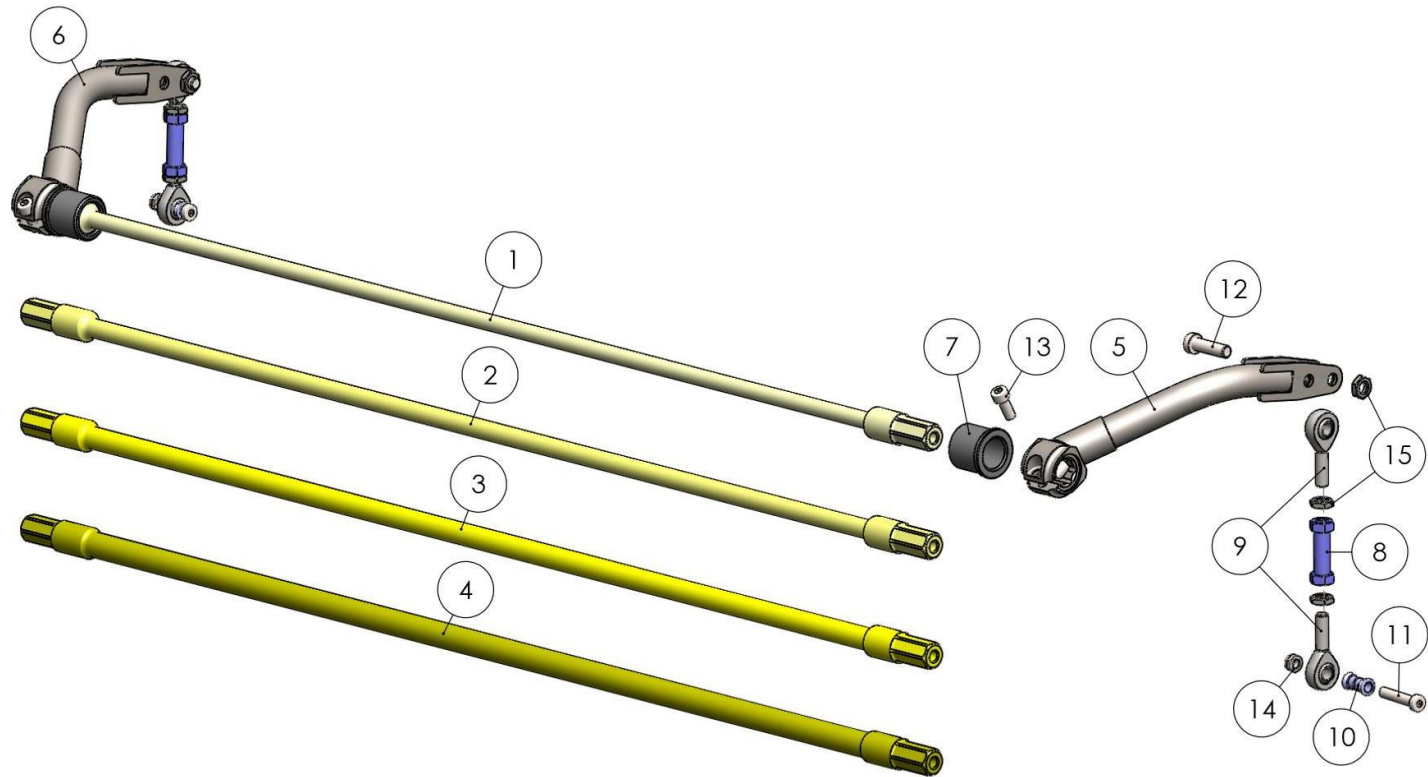


ITEM NO.	DESCRIPTION	PART NUMBER	Q.
1	Front damper	OM20436	1
2	Rear damper	OM20437	1
3	Main spring - 1	OM20077	1
4	Helper spring	OM20078	1
5	Spring guide	OM20079	1
6	Lower spring seat		1
7	Bolt M12x1.5, L55	-	1
8	Bolt M12x1.5, L50	-	1
9	Nut M12x1.5	-	1
10	Washer d12	-	3

Notes:

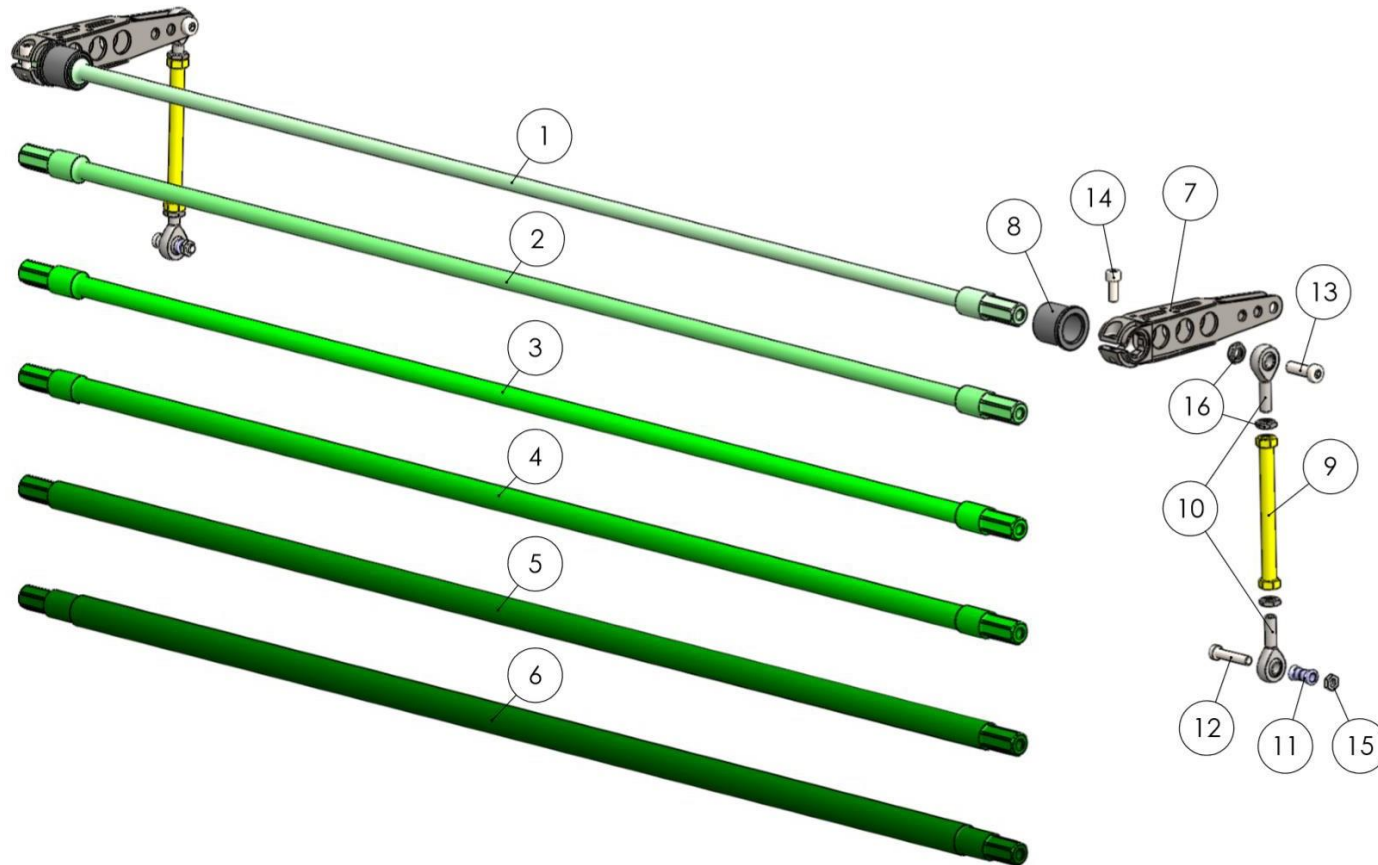
- There are few different stiffness of main springs to choose
- There are few different stiffness of helper springs to choose
- Front and rear damper look identical, but internally are different and needs to be mark respectively

Front antiroll bar assembly



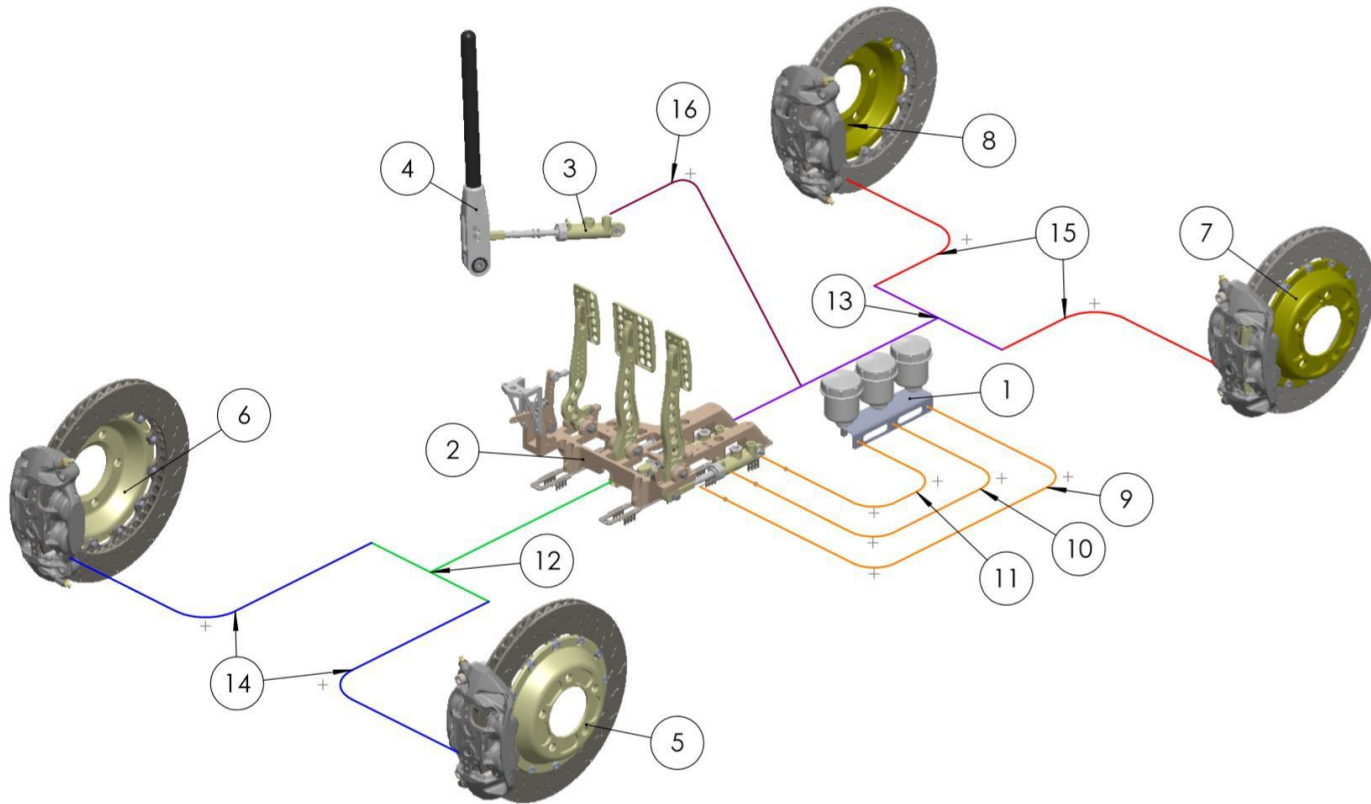
ITEM NO.	DESCRIPTION	PART NUMBER	Q.
1	Front bar - 13	OM10521	1
2	Front bar - 15	OM10522	1
3	Front bar - 17.5	OM10432	1
4	Front bar - 20	OM10433	1
5	Arm (RH)	OM20434R	1
6	Arm (LH)	OM20434L	1
7	Bearing (plastic)	OM10521_1	2
8	Rod	OM20435	2
9	Rod end M 10	OM10071	4
10	Spacer - 24	OM10521_2	4
11	Bolt M8, L40	-	2
12	Bolt M10, L35	-	2
13	Bolt M8, L20	-	2
14	Nut M8	-	2
15	Nut M10 (thin)	-	6

Rear antiroll bar assembly



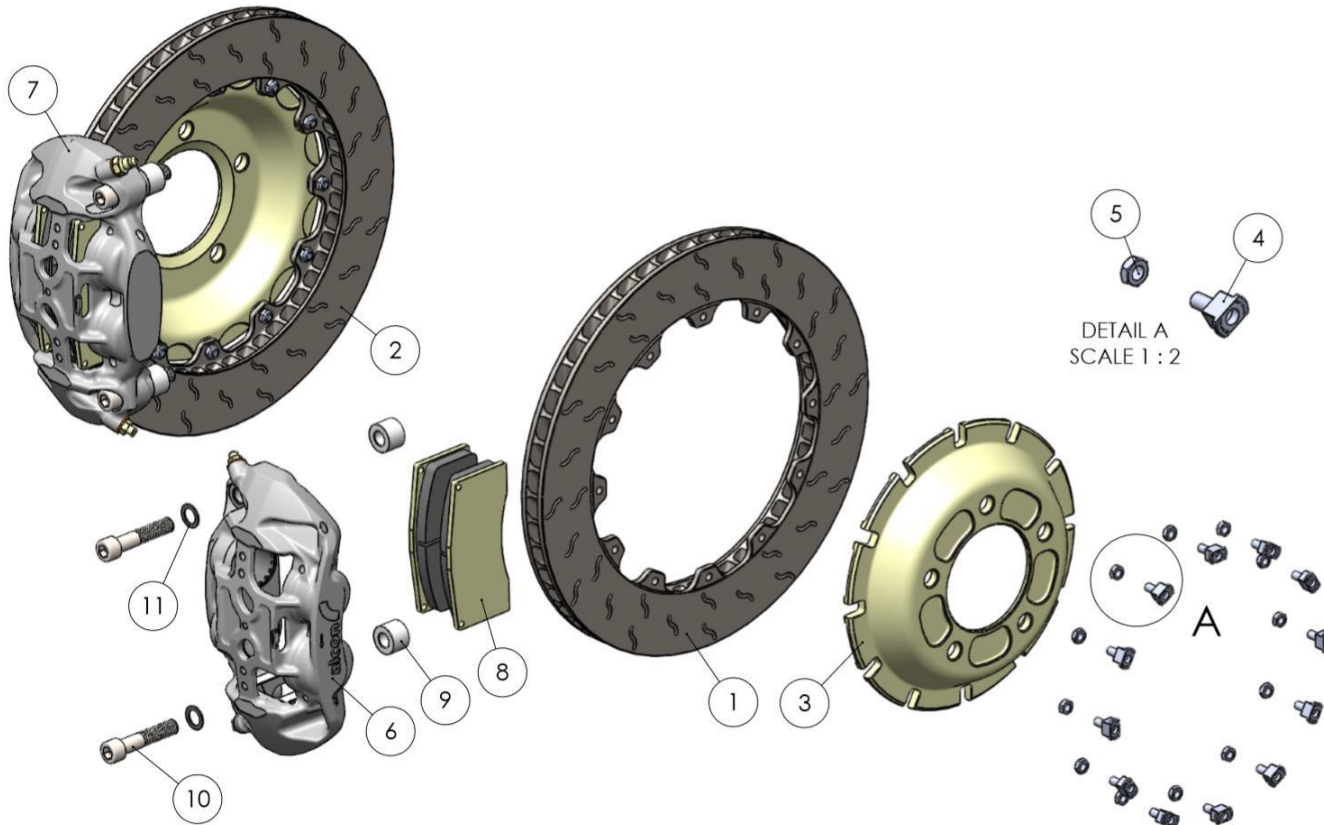
ITEM NO.	DESCRIPTION	PART NUMBER	Q.
1	Rear bar - 14	OM20438_1	1
2	Rear bar - 16	OM20438_2	1
3	Rear bar - 18	OM20438	1
4	Rear bar - 22	OM20439	1
5	Rear bar - 25	OM20440	1
6	Rear bar - 28	OM20438_3	1
7	Arm	OM20441	2
8	Bush	OM10521_1	2
9	Rod	OM20435	2
10	Rod end - 4	OM10071	4
11	Spacer - 24	OM10521_2	4
12	Bolt M8, L40	-	2
13	Bolt M10, L35	-	2
14	Bolt M8, L20	-	2
15	Nut M8	-	2
16	Nut M10 (thin)	-	6

Braking system



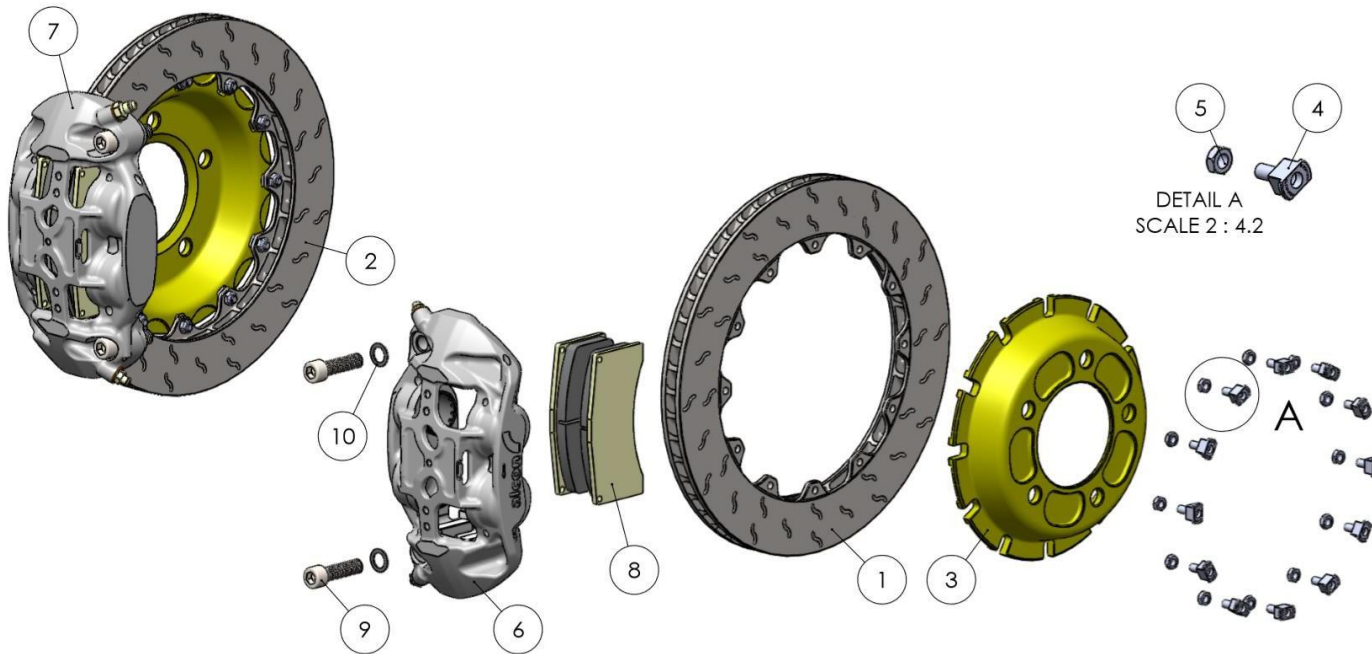
ITEM NO.	DESCRIPTION	PART NUMBER	Q.
1	Fluid reservoirs pack		1
2	Pedal box		1
2	Clutch master cylinder 0,75	OM20309	
2	Front brake master cylinder 0,75	OM20309	
2	Rear brake master cylinder 0,812	OM20310	
3	Hand brake master cylinder 0,70	OM20516	1
4	Hand brake lever		1
5	Front left brake disk ass.		1
6	Front right brake disk ass.		1
7	Rear left brake disk ass.		2
8	Rear right brake disk ass.		2
9	Front brake feed line ass.		2
10	Rear brake feed line ass.		4
11	Clutch feed line		4
12	Front brake main line ass.		2
13	Rear brake main line ass.		2
14	Front brakes calipers line ass.	OM20406	2
15	Rear brakes calipers line ass.	OM20407	2
16	Hand brake activation line ass.		6

Front brake components



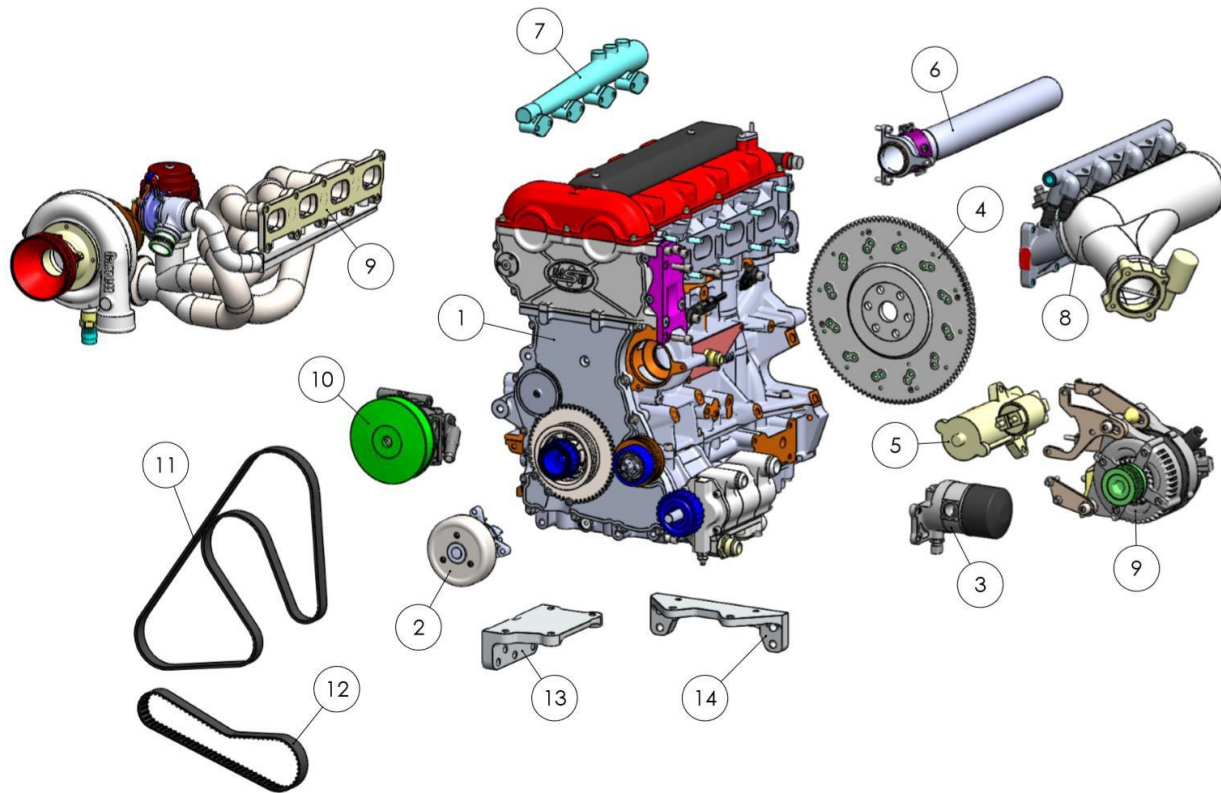
ITEM NO.	DESCRIPTION	PART NUMBER	Q.
1	Front left brake disk	OM10450	1
2	Front right brake disk	OM10451	1
3	Front disk bell-house	OM10456	1
4	Bobbins	OM10333	12
5	Bobbins nut	OM10332	12
6	Front left caliper	OM10446	1
7	Front right caliper	OM10447	1
8	Front brake pads	OM10454	2
9	Spacer 17	OM20446	2
10	Bolt M12x1.5, L60	-	2
11	Washer d12	-	2

Rear brake components

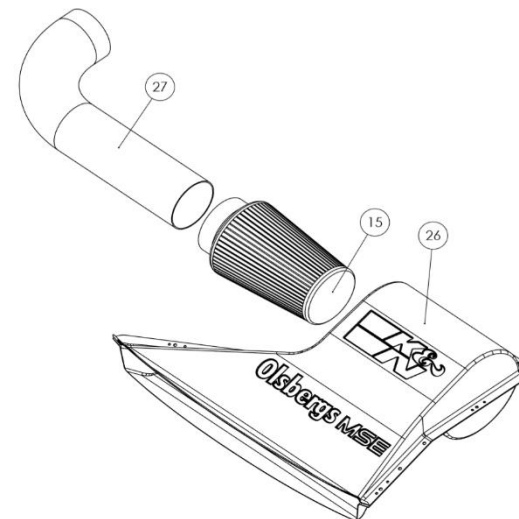


ITEM NO.	DESCRIPTION	PART NUMBER	Q.
1	Rear left brake disk	OM10452	1
2	Rear right brake disk	OM10453	1
3	Rear disk bell-house	OM10457	1
4	Bobbins	OM10333	12
5	Bobbins nut	OM10332	12
6	Rear left caliper	OM10448	1
7	Rear right caliper	OM10449	1
8	Rear brake pads	OM10455	2
9	Bolt M12x1.5, L45	-	2
10	Washer d12	-	2

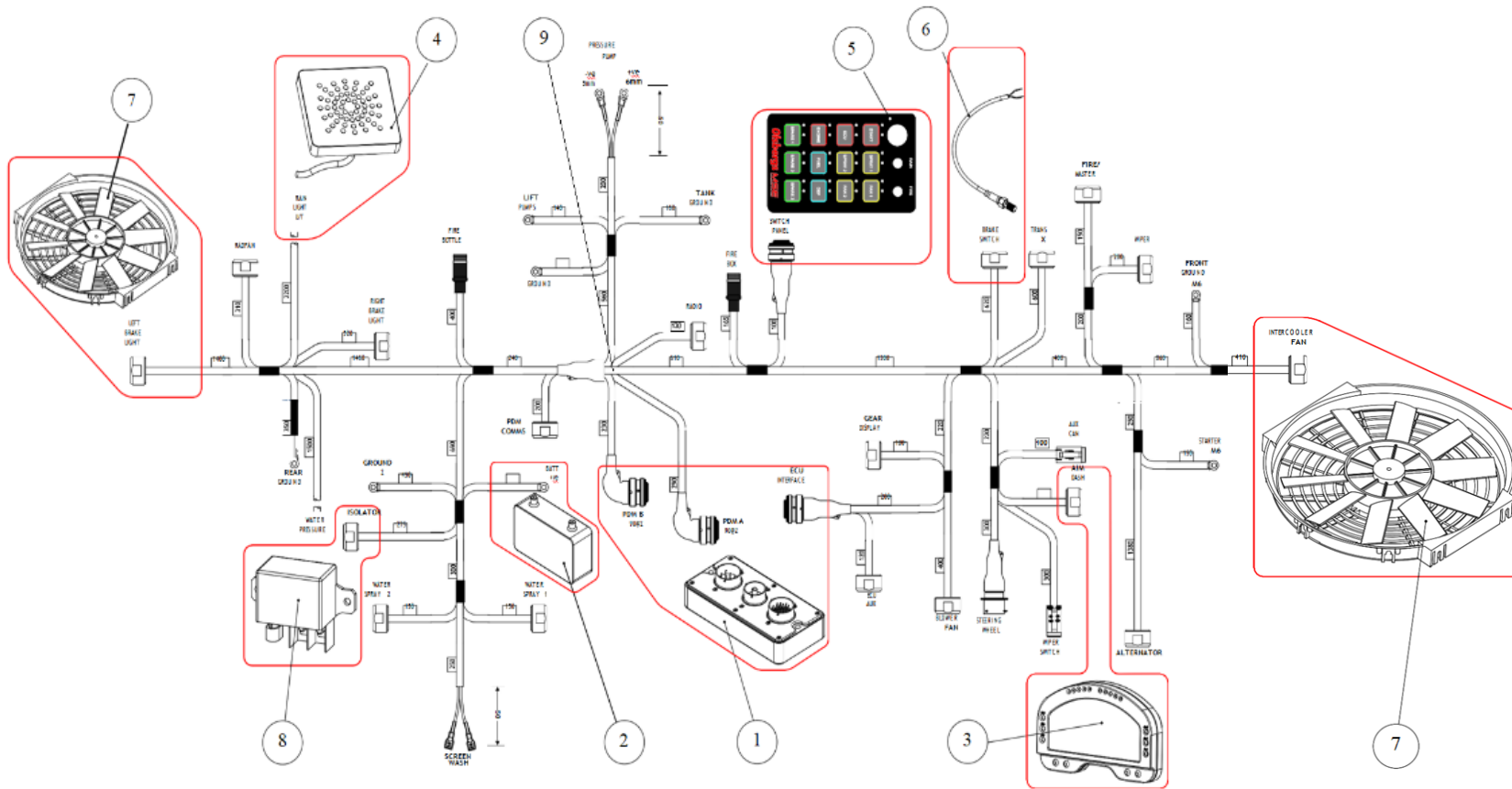
Engine system



ITEM NO.	DESCRIPTION	PART NUMBER	Q.
1	Engine ass.		1
2	Water pump	OM10523	1
3	Oil filter	OM10274	1
4	Flywheel	OM10293	1
5	Starter	OM10219	1
6	Oil cooler Laminova	OM20282	1
6	Water in adapter	OM20282_1	1
7	Water out line ass.	OM10281	2
8	Inlet manifold ass.	OM20259	2
9	Exhaust manifold	OM20278	2
10	Power steering pump.	OM20124	4
11	Alternator belt.	OM10505	1
12	Oil pump belt.	OM10218	1
13	Front diff bracket	OM10367	1
14	Engine mount rear	OM10426	1
15	Air filter	OM10220	1
26	Air box top part	OM10467	1
26	Air box bottom part	OM10468	1
27	Inlet pipe	OM20508	1



Chassi electrical loom



ITEM NO.	DESCRIPTION	PART NUMBER	Q
1	PDM box	OM10194	1
2	Battery	OM10191	1
3	Dashboard	OM20193	1
4	Rain light	OM10200	1
5	Switch panel	OM10195	1

ITEM NO.	DESCRIPTION	PART NUMBER	Q
6	Brake light switch	OM10199	1
7	Radiator/intercooler fan	OM10197	1
8	Main switch	OM10192	1
9	Main chassis loom	OM20196	1