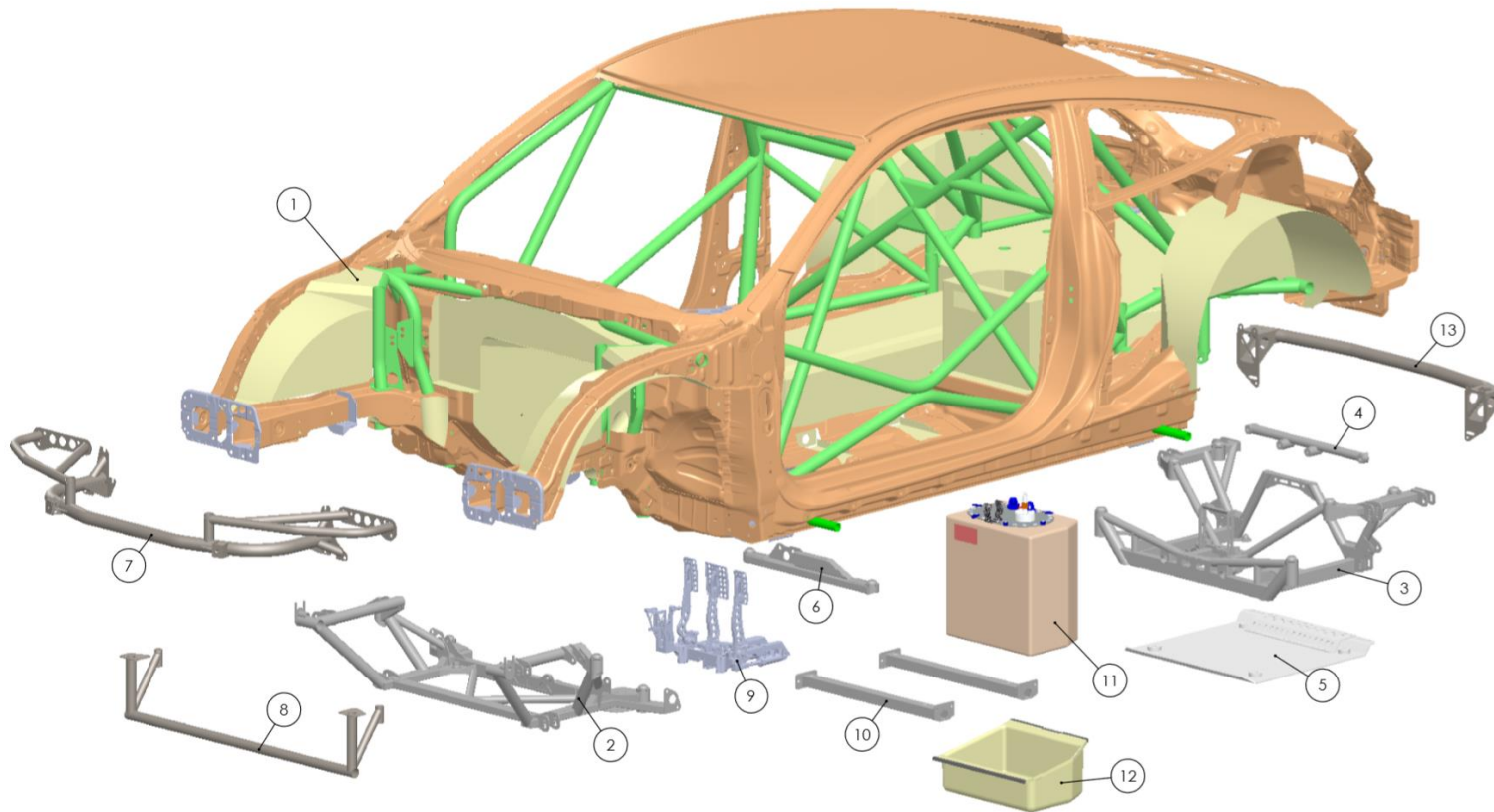
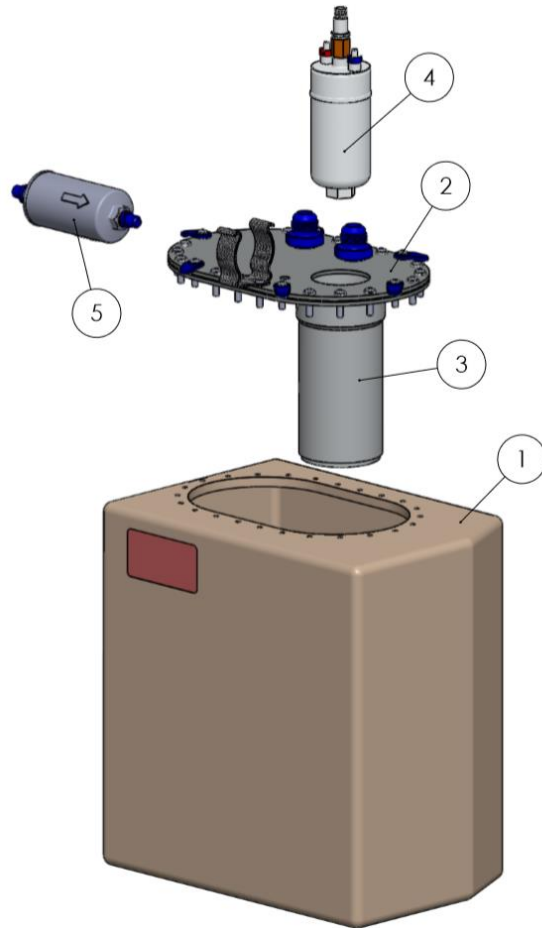


Main chassis parts



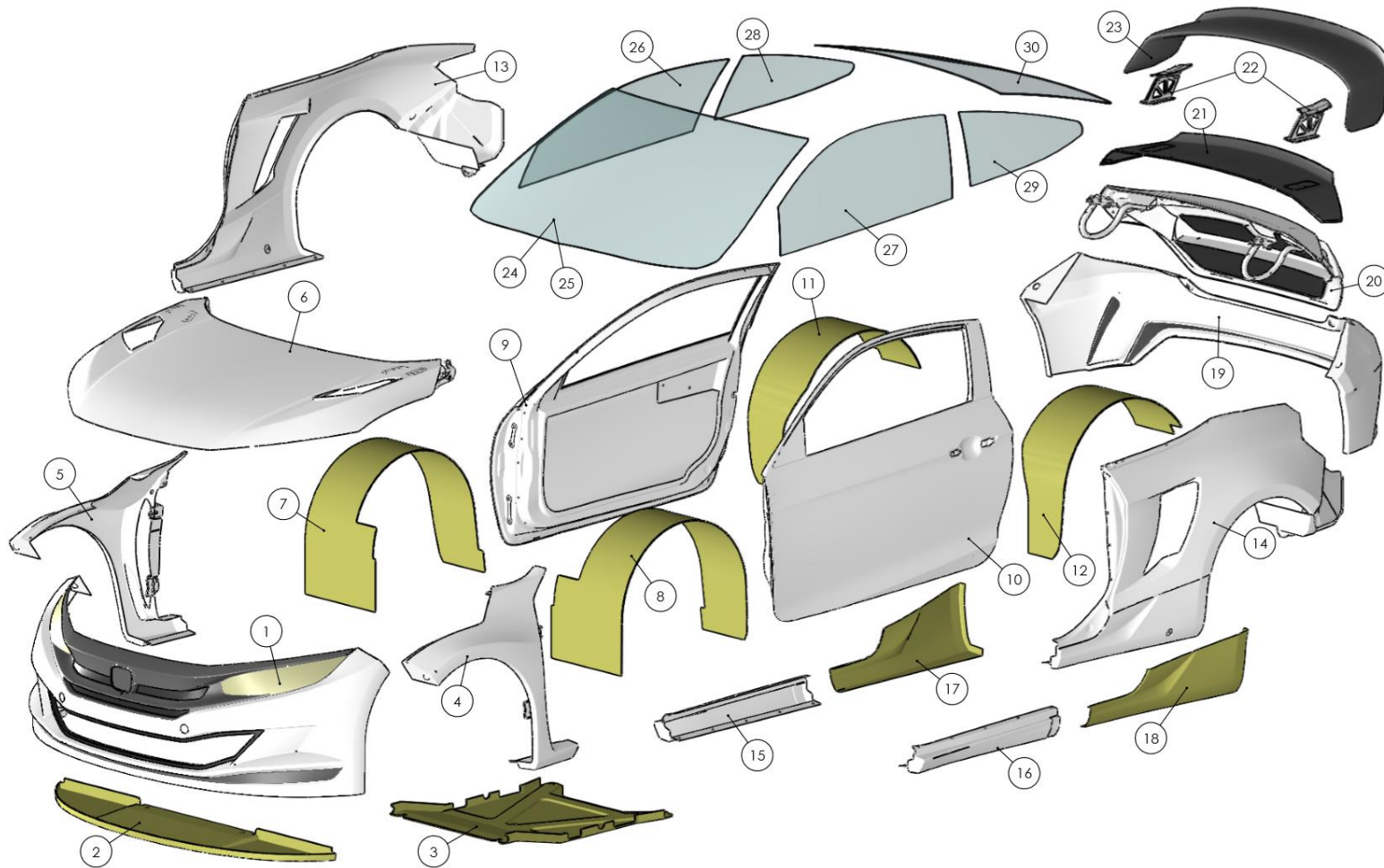
| ITEM NO. | DESCRIPTION | PART NUMBER | Q. |
|----------|--------------------|-------------|----|
| 1 | Chassis | OM.6-1 | 1 |
| 2 | Front sub-frame | OM.6-2 | 1 |
| 3 | Rear sub-frame | OM.6-3 | 1 |
| 4 | Diff. rear bar | OM.6-4 | 1 |
| 5 | Rear skid plate | OM.6-5 | 1 |
| 6 | Gearbox brackets | OM.6-6 | 1 |
| 7 | Front crash bar | OM.6-7 | 1 |
| 8 | Skid plate bracket | OM.6-8 | 1 |
| 9 | Pedal box | OM.6-9 | 1 |
| 10 | Seat support | OM.6-10 | 1 |
| 11 | Fuel cell ass. | OM.6-A01 | 1 |
| 12 | Fuel cell protec. | OM.6-11 | 1 |
| 13 | Rear crash bar | OM.6-12 | 1 |

Fuel cell assembly



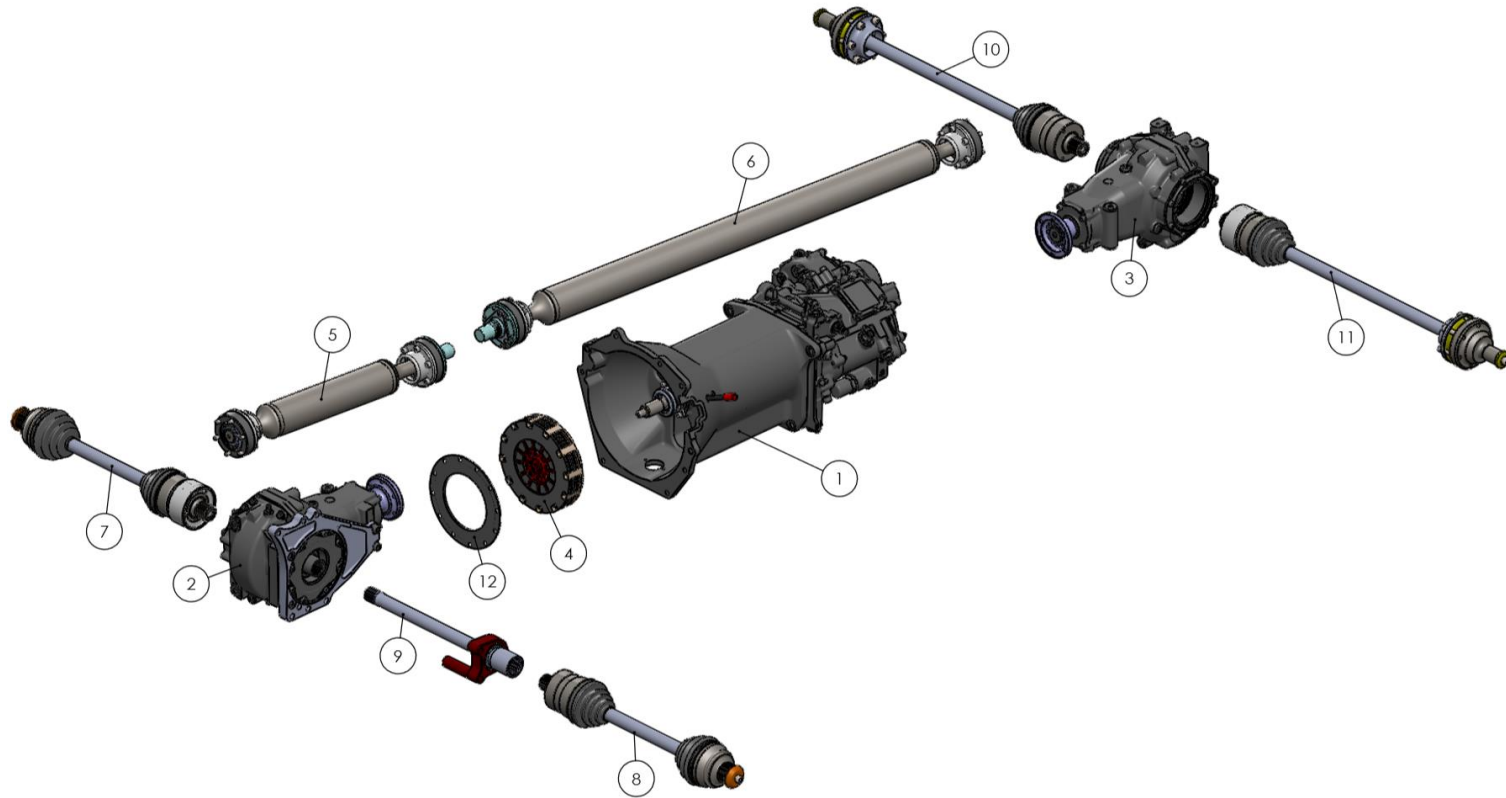
| ITEM NO. | DESCRIPTION | PART NUMBER | Q. |
|----------|-------------|-------------|----|
| 1 | Fuel cell | OM.6-A01-1 | 1 |
| 2 | Top cover | OM.6-A01-2 | 1 |
| 3 | Catch tank | OM.6-A01-3 | 1 |
| 4 | Fuel pump | OM.6-A01-4 | 1 |
| 5 | Fuel filter | OM.6-A01-5 | 1 |

Body kit



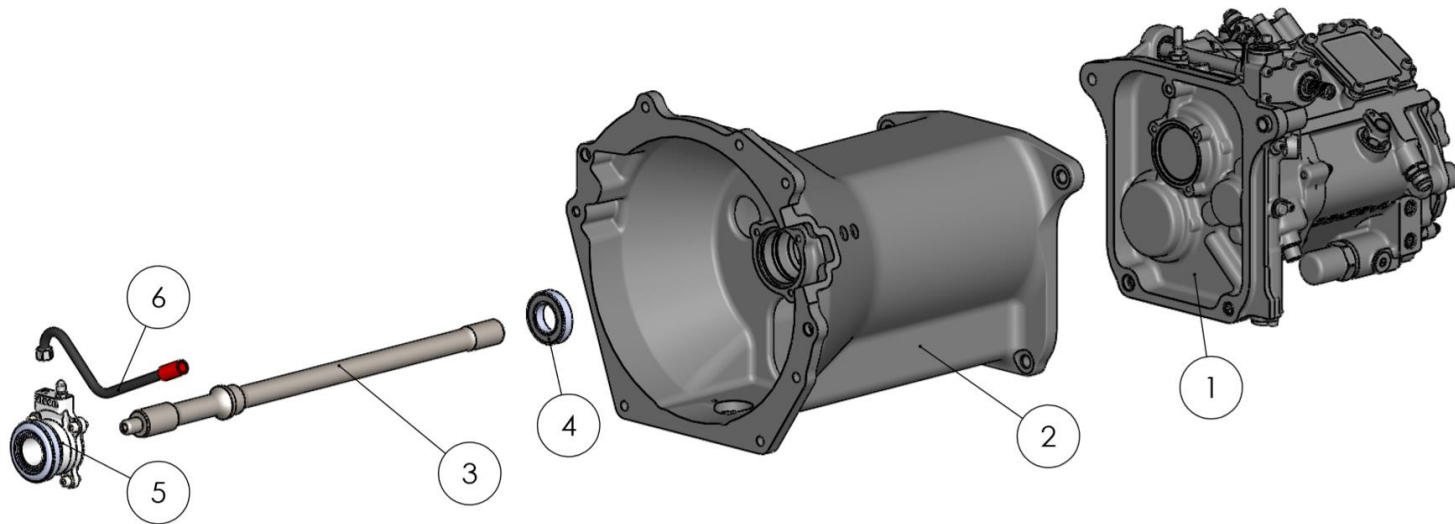
| ITEM NO. | DESCRIPTION | PART NUMBER | Q. |
|----------|----------------------|-------------|----|
| 1 | Front bumper | OM.5-1 | 1 |
| 2 | Front diffuser | OM.5-2 | 1 |
| 3 | Front skid plate | OM.5-3 | 1 |
| 4 | Front fender (LH) | OM.5-4 | 1 |
| 5 | Front fender (RH) | OM.5-5 | 1 |
| 6 | Hood | OM.5-6 | 1 |
| 7 | Front wh. arch (RH) | OM.5-7 | 1 |
| 8 | Front wh. arch (LH) | OM.5-8 | 1 |
| 9 | Door (RH) | OM.5-9 | 1 |
| 10 | Door (LH) | OM.5-10 | 1 |
| 11 | Rear wh. arch (RH) | OM.5-11 | 1 |
| 12 | Rear wh. arch (LH) | OM.5-12 | 1 |
| 13 | Rear fender (RH) | OM.5-13 | 1 |
| 14 | Rear fender (LH) | OM.5-14 | 1 |
| 15 | Side skirt (RH) | OM.5-15 | 1 |
| 16 | Side skirt (LH) | OM.5-16 | 1 |
| 17 | Stone guard (RH) | OM.5-17 | 1 |
| 18 | Stone guard (LH) | OM.5-18 | 1 |
| 19 | Rear bumper | OM.5-19 | 1 |
| 20 | Tail gate | OM.5-20 | 1 |
| 21 | Rear spoiler | OM.5-21 | 1 |
| 22 | Rear wing stands | OM.5-22 | 1 |
| 23 | Rear wing | OM.5-23 | 1 |
| 24 | Windscreen (plastic) | OM.5-24 | 1 |
| 25 | Windscreen (glass) | OM.5-25 | 1 |
| 26 | Side window (RH) | OM.5-26 | 1 |
| 27 | Side window (LH) | OM.5-27 | 1 |
| 28 | Rear side wind. (RH) | OM.5-28 | 1 |
| 29 | Rear side wind. (LH) | OM.5-29 | 1 |
| 30 | Rear window | OM.5-30 | 1 |

Transmission + driveline



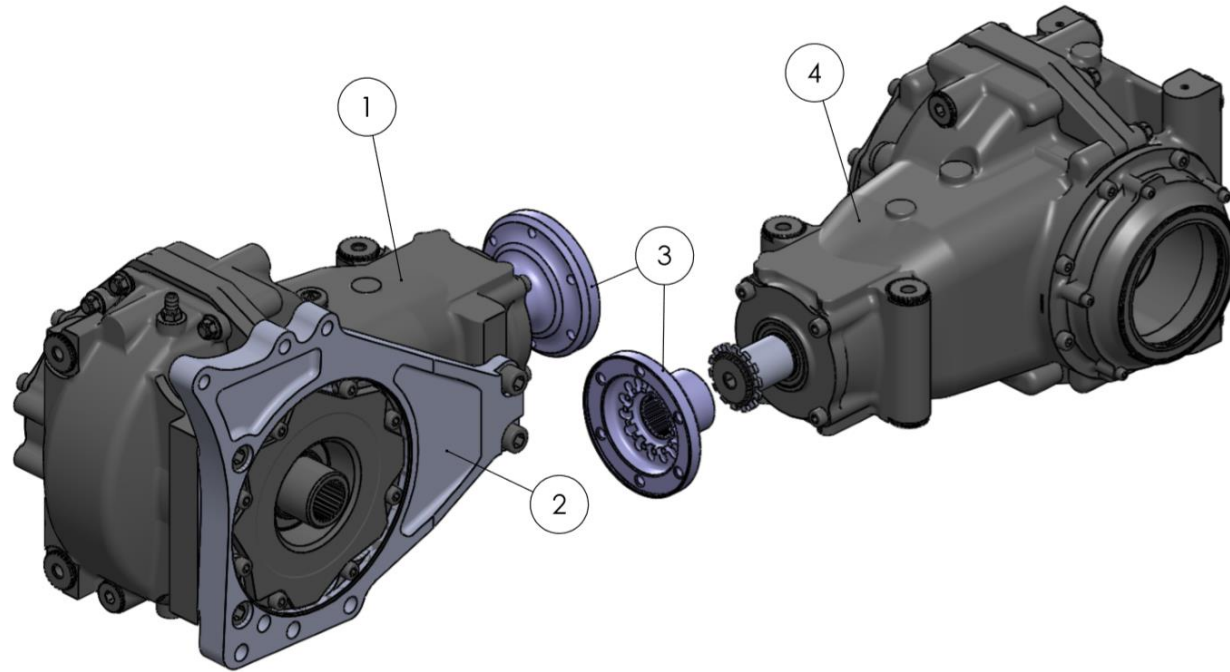
| ITEM NO. | DESCRIPTION | PART NUMBER | Q. |
|----------|----------------------------|-------------|----|
| 1 | Gearbox ass. | OM.3-A01 | 1 |
| 2 | Front diff. ass. | OM.3-A02 | 1 |
| 3 | Rear diff. ass. | OM.3-A03 | 1 |
| 4 | Clutch | OM.3-1 | 1 |
| 5 | Front propshaft ass. | OM.3-A04 | 1 |
| 6 | Rear propshaft ass. | OM.3-A05 | 1 |
| 7 | Front driveshaft (RH) ass. | OM.3-A06 | 1 |
| 8 | Front driveshaft (LH) ass. | OM.3-A07 | 1 |
| 9 | Intermedia shaft ass. | OM.3-A08 | 1 |
| 10 | Rear driveshaft (RH) ass. | OM.3-A09 | 1 |
| 11 | Rear driveshaft (LH) ass. | OM.3-A10 | 1 |
| 12 | Clutch preload adj. plate | OM.3-2 | |

Gearbox assembly



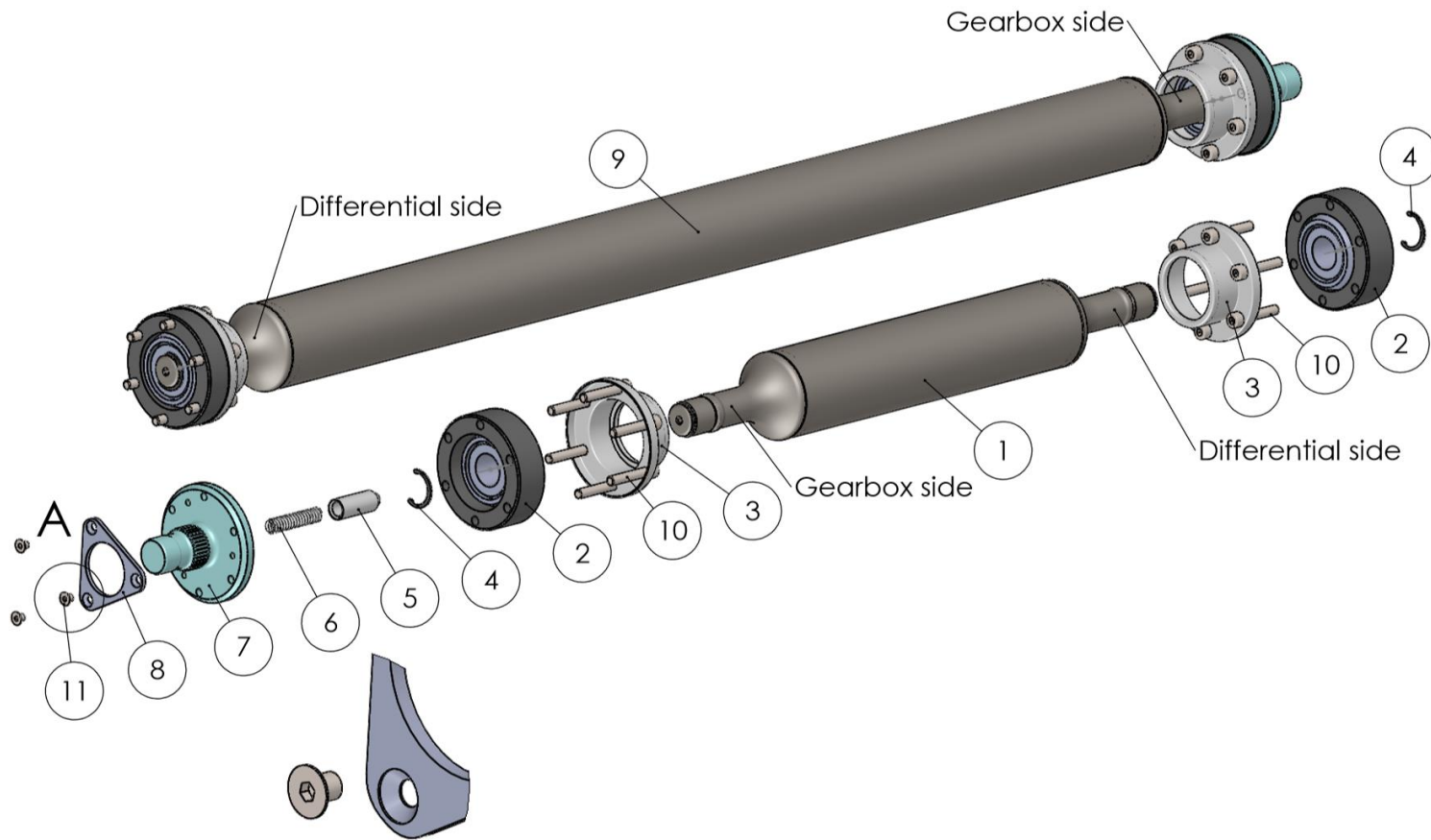
| ITEM NO. | DESCRIPTION | PART NUMBER | Q. |
|----------|------------------------|-------------|----|
| 1 | Gearbox | OM.3-A01-1 | 1 |
| 2 | Transmission bellhouse | OM.3-A01-2 | 1 |
| 3 | Input shaft | OM.3-A01-3 | 1 |
| 4 | Support bearing | OM.3-A01-4 | 1 |
| 5 | Clutch release bearing | OM.3-A01-5 | 1 |
| 6 | Clutch actuation hose | OM.3-A01-6 | 1 |

Differentials assembly



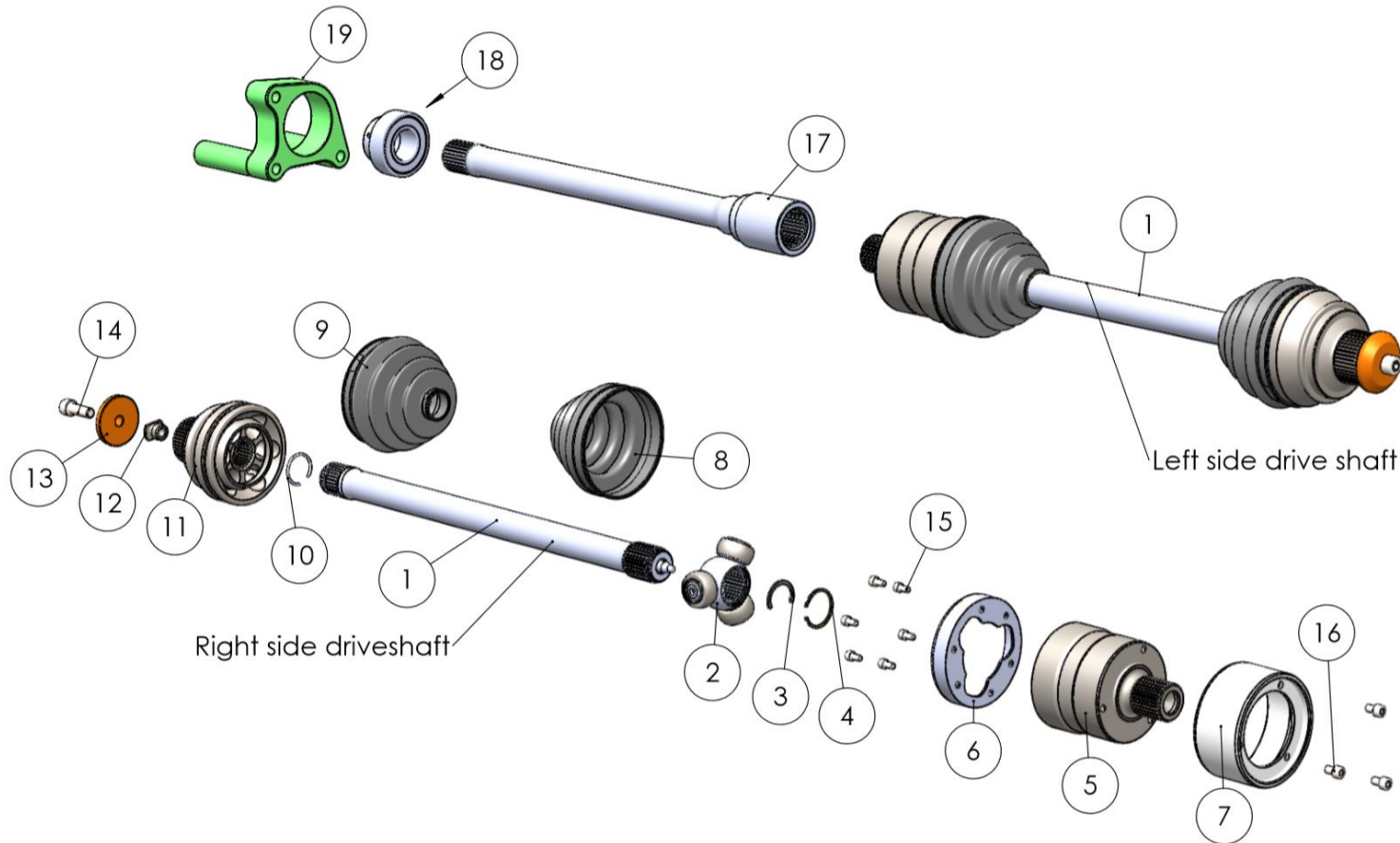
| ITEM NO. | DESCRIPTION | PART NUMBER | Q. |
|----------|---------------------------|-------------|----|
| 1 | Front differential | OM.3-A02-1 | 1 |
| 2 | Front diff. side mounting | OM.3-A02-2 | 1 |
| 3 | Diff. input shaft | OM.3-A02-3 | 1 |
| 4 | Rear differential | OM.3-A03-1 | 1 |

Propshafts



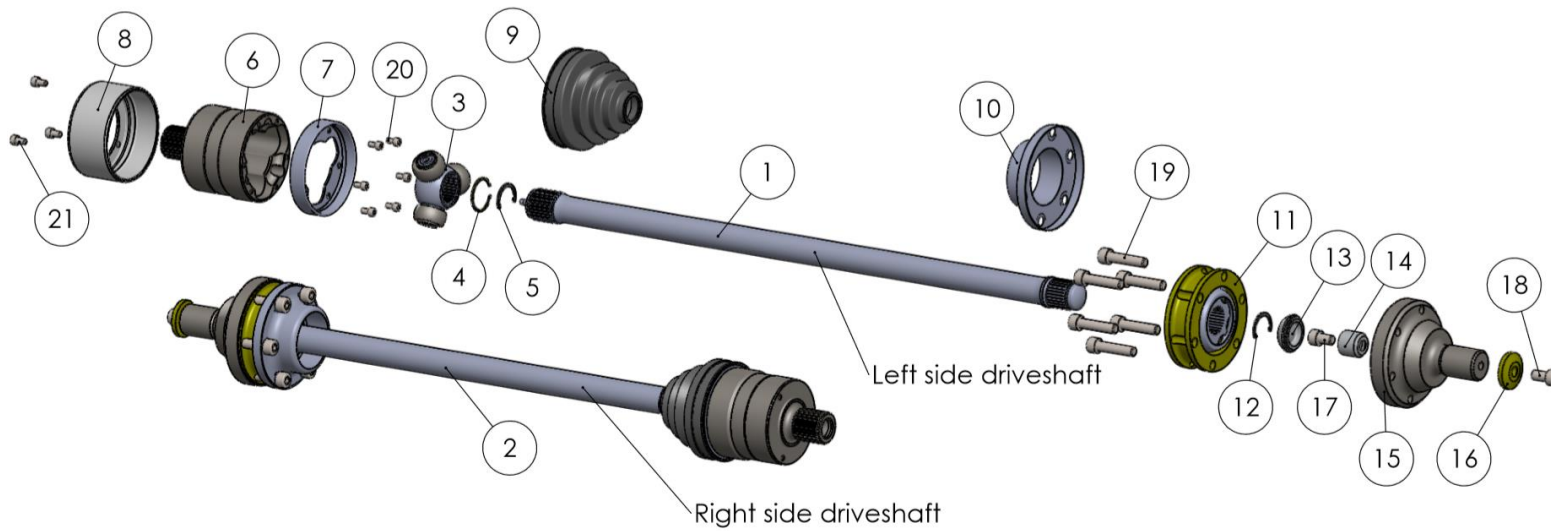
| ITEM NO. | DESCRIPTION | PART NUMBER | Q. |
|----------|-----------------------|-------------|----|
| 1 | Front propshaft | OM.3-A04-1 | 1 |
| 2 | CV joint | OM.3-A04-2 | 2 |
| 3 | CV joint boot | OM.3-A04-3 | 2 |
| 4 | Circlip | OM.3-A04-4 | 2 |
| 5 | Plunge | OM.3-A04-5 | 1 |
| 6 | Preload spring | OM.3-A04-6 | 1 |
| 7 | Gearbox output flange | OM.3-A04-7 | 1 |
| 8 | Spacer | OM.3-A04-8 | 1 |
| 9 | Rear propshaft | OM.3-A05-1 | 1 |
| 10 | Bolt M8x45 | | 12 |
| 11 | Bolt M6x8 | | 3 |

Front driveshaft



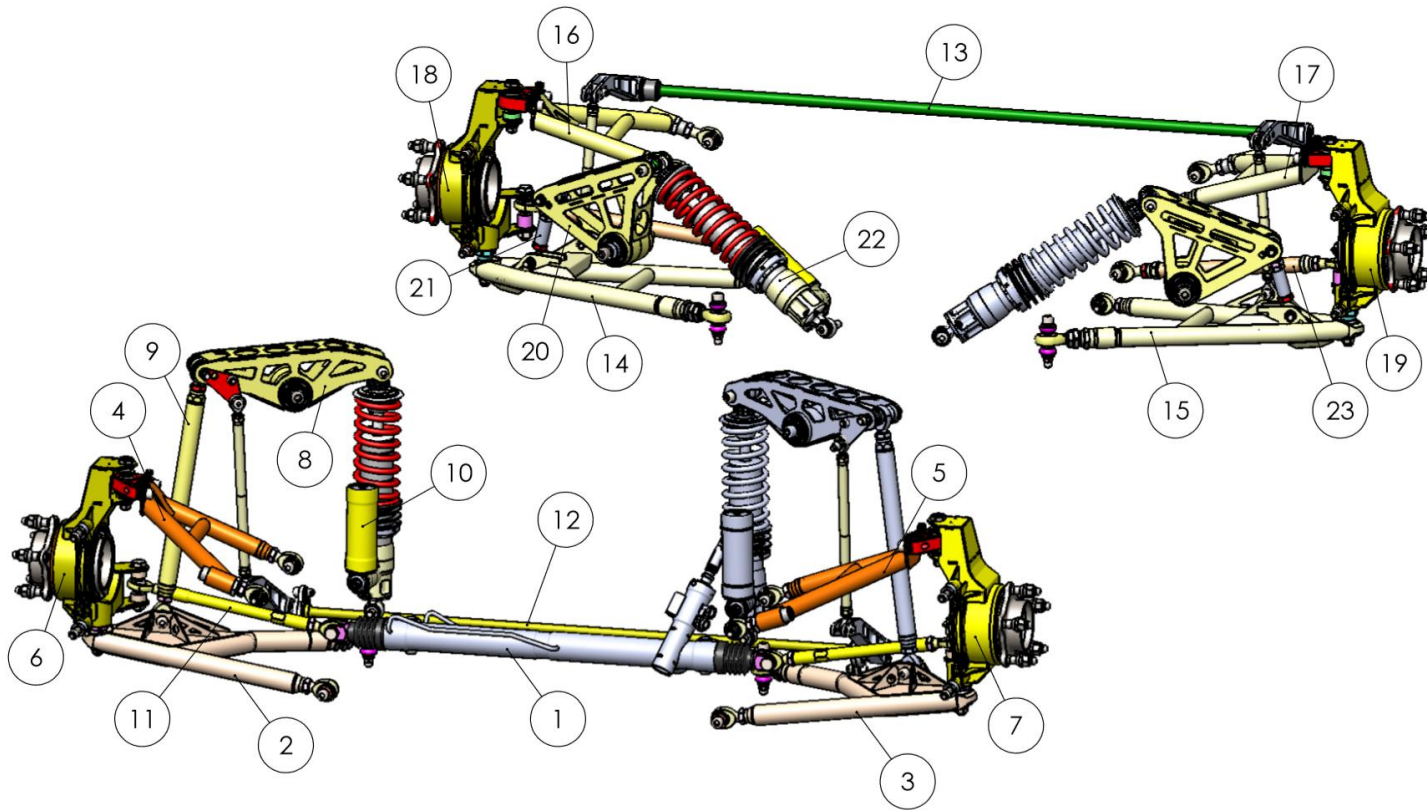
| ITEM NO. | DESCRIPTION | PART NUMBER | Q. |
|----------|--------------------------|-------------|----|
| 1 | Front driveshaft (RH/LH) | OM.3-A06-1 | 1 |
| 2 | Tripod joint | OM.3-A06-2 | 1 |
| 3 | Circlip - 1 | OM.3-A06-3 | 1 |
| 4 | Circlip - 2 | OM.3-A06-4 | 1 |
| 5 | Tripod housing | OM.3-A06-5 | 1 |
| 6 | Tripod locker | OM.3-A06-6 | 1 |
| 7 | Diff. sealing ring | OM.3-A06-7 | 1 |
| 8 | Tripod boot | OM.3-A06-8 | 1 |
| 9 | CV joint boot | OM.3-A06-9 | 1 |
| 10 | CV joints circlip | OM.3-A06-10 | 1 |
| 11 | CV joint | OM.3-A06-11 | 1 |
| 12 | Insert | OM.3-A06-12 | 1 |
| 13 | Washer | OM.3-A06-13 | 1 |
| 14 | Bolt M10x30 | | 1 |
| 15 | Bolt M5x10 | | 6 |
| 16 | Bolt M6x12 | | 3 |
| 17 | Intermedia shaft | OM.3-A08-1 | 1 |
| 18 | Support bearing | OM.3-A08-2 | 1 |
| 19 | Support | OM.3-A08-3 | 1 |

Rear driveshaft



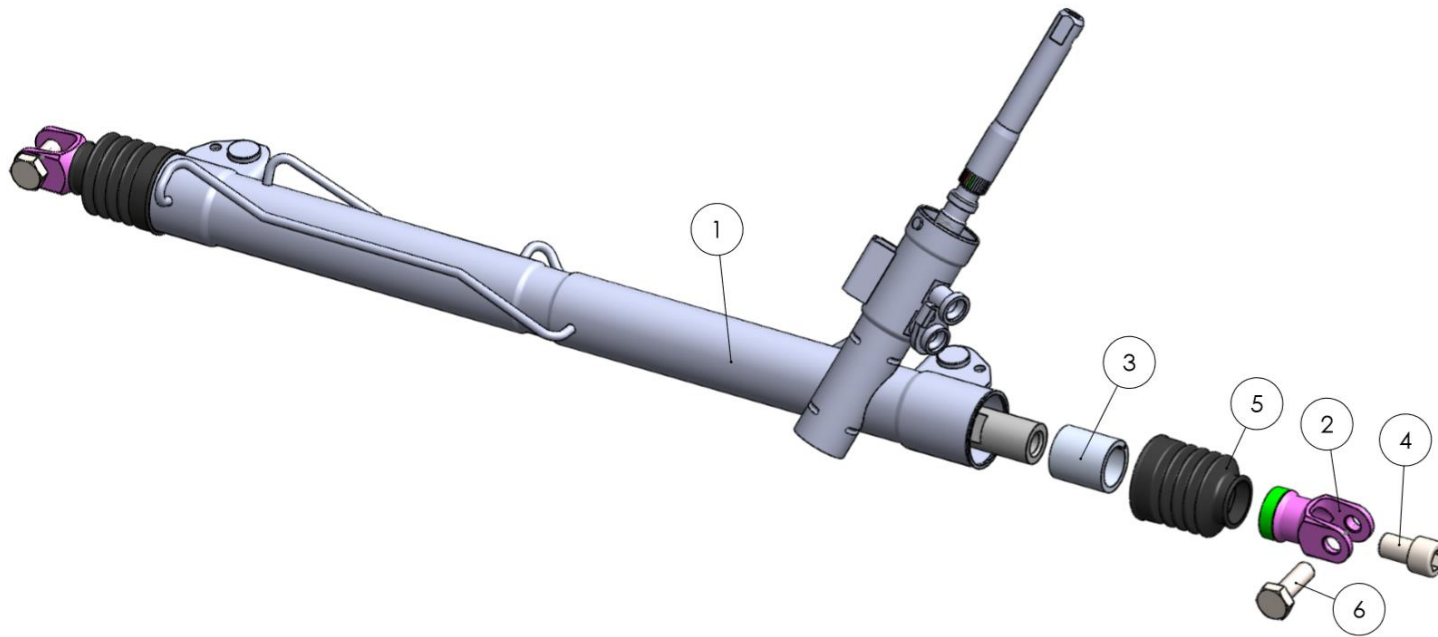
| ITEM NO. | DESCRIPTION | PART NUMBER | Q. |
|----------|----------------------|-------------|----|
| 1 | Rear driveshaft (LH) | OM.3-A10-1 | 1 |
| 2 | Rear driveshaft (RH) | OM.3-A09-1 | 1 |
| 3 | Tripod joint | OM.3-A06-2 | 1 |
| 4 | Circlip - 1 | OM.3-A06-3 | 1 |
| 5 | Circlip - 2 | OM.3-A06-4 | 1 |
| 6 | Tripod housing | OM.3-A06-5 | 1 |
| 7 | Tripod locker | OM.3-A06-6 | 1 |
| 8 | Diff. sealing ring | OM.3-A06-7 | 1 |
| 9 | Tripod boot | OM.3-A06-8 | 1 |
| 10 | CV joint boot | OM.3-A10-2 | 1 |
| 11 | CV joint | OM.3-A10-3 | 1 |
| 12 | Circlip - 3 | OM.3-A10-4 | 1 |
| 13 | Travel stopper | OM.3-A10-5 | 1 |
| 14 | Insert | OM.3-A10-6 | 1 |
| 15 | Hub adapter | OM.3-A10-7 | 1 |
| 16 | Washer | OM.3-A10-8 | 1 |
| 17 | Bolt M10x16 | | 1 |
| 18 | Bolt M10x20 | | 1 |
| 19 | Bolt M10x45 | | 6 |
| 20 | Bolt M5x10 | | 6 |
| 21 | Bolt M6x12 | | 3 |

Suspension + steering



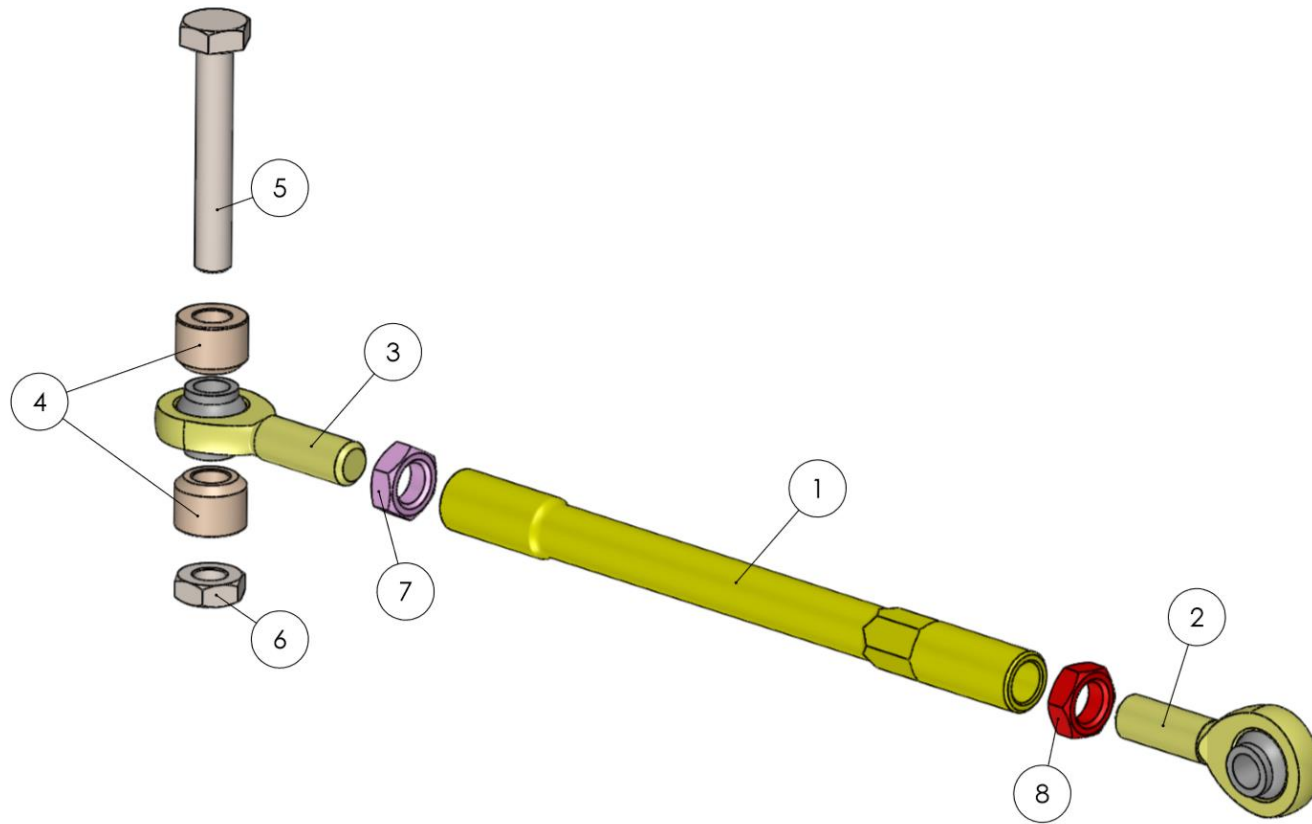
| ITEM NO. | DESCRIPTION | PART NUMBER | Q. |
|----------|---------------------------|-------------|----|
| 1 | Steering rack ass. | OM.7-A01 | 1 |
| 2 | Front lower arm (RH) ass. | OM.1-A01 | 1 |
| 3 | Front lower arm (LH) ass. | OM.1-A02 | 1 |
| 4 | Front top arm (RH) ass. | OM.1-A03 | 1 |
| 5 | Front top arm (LH) ass. | OM.1-A04 | 1 |
| 6 | Front upright (RH) ass. | OM.1-A05 | 1 |
| 7 | Front upright (LH) ass. | OM.1-A06 | 1 |
| 8 | Front rocker ass. | OM.1-A07 | 2 |
| 9 | Front pushrod ass. | OM.1-A08 | 2 |
| 10 | Front damper ass. | OM.1-A09 | 2 |
| 11 | Steering rod ass. | OM.7-A02 | 1 |
| 12 | Front antiroll bar ass. | OM.1-A10 | 1 |
| 13 | Rear antiroll bar ass. | OM.1-A11 | 1 |
| 14 | Rear lower arm (RH) ass. | OM.1-A12 | 1 |
| 15 | Rear lower arm (LH) ass. | OM.1-A13 | 1 |
| 16 | Rear top arm (RH) ass. | OM.1-A14 | 1 |
| 17 | Rear top arm (LH) ass. | OM.1-A15 | 1 |
| 18 | Rear upright (RH) ass. | OM.1-A16 | 1 |
| 19 | Rear upright (LH) ass. | OM.1-A17 | 1 |
| 20 | Rear rocker ass. | OM.1-A18 | 2 |
| 21 | Rear pushrod ass. | OM.1-A19 | 2 |
| 22 | Rear damper ass. | OM.1-A20 | 2 |
| 23 | Toe rod ass. | OM.7-A03 | 2 |

Steering rack



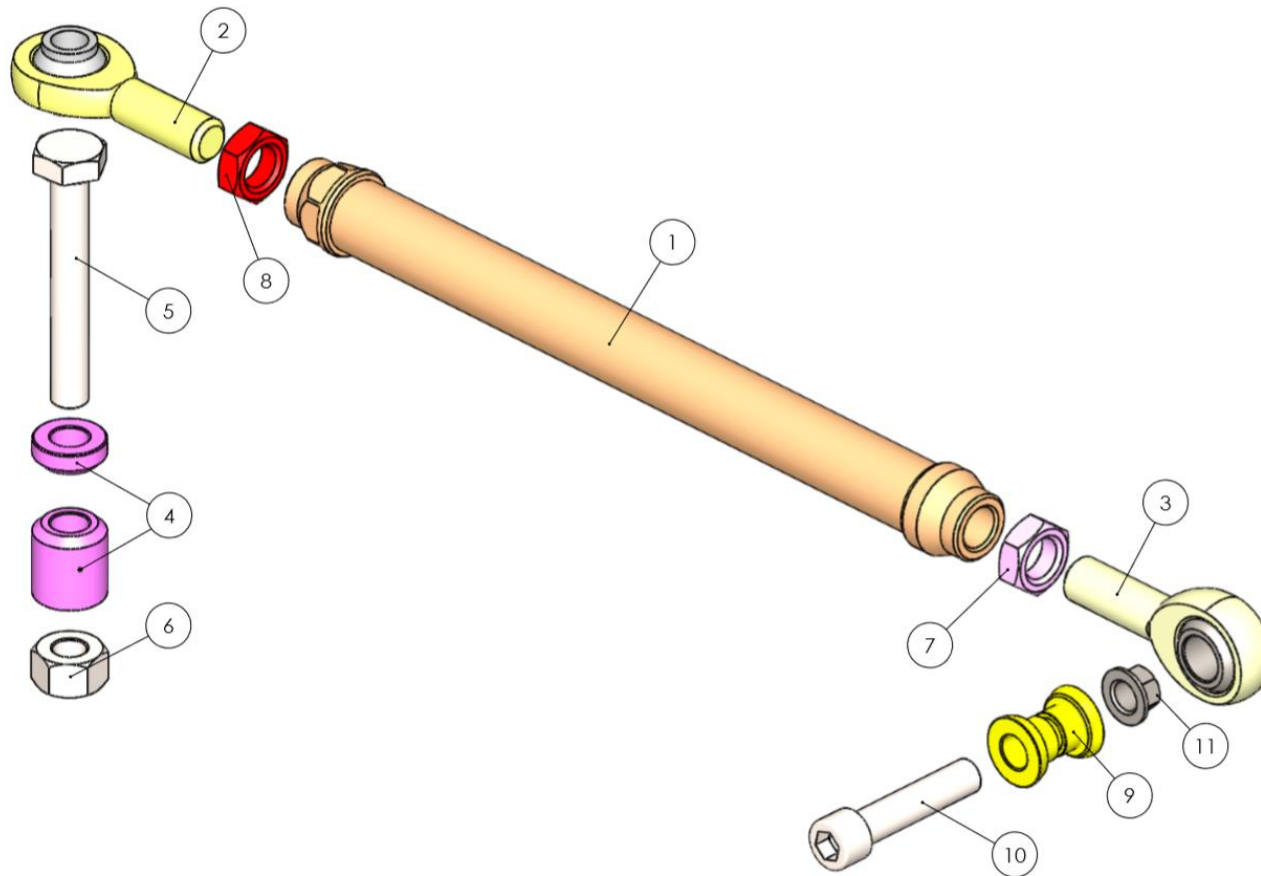
| ITEM NO. | DESCRIPTION | PART NUMBER | Q. |
|----------|---------------|-------------|----|
| 1 | Steering rack | OM.7-A01-1 | 1 |
| 2 | Rack ends | OM.7-A01-2 | 2 |
| 3 | Steer stop | OM.7-A01-3 | 2 |
| 4 | Bolt M16x1.5 | | 2 |
| 5 | Dust boot | OM.7-A01-4 | 2 |
| 6 | Bolt 1/2-20 | | 2 |

Steering rod



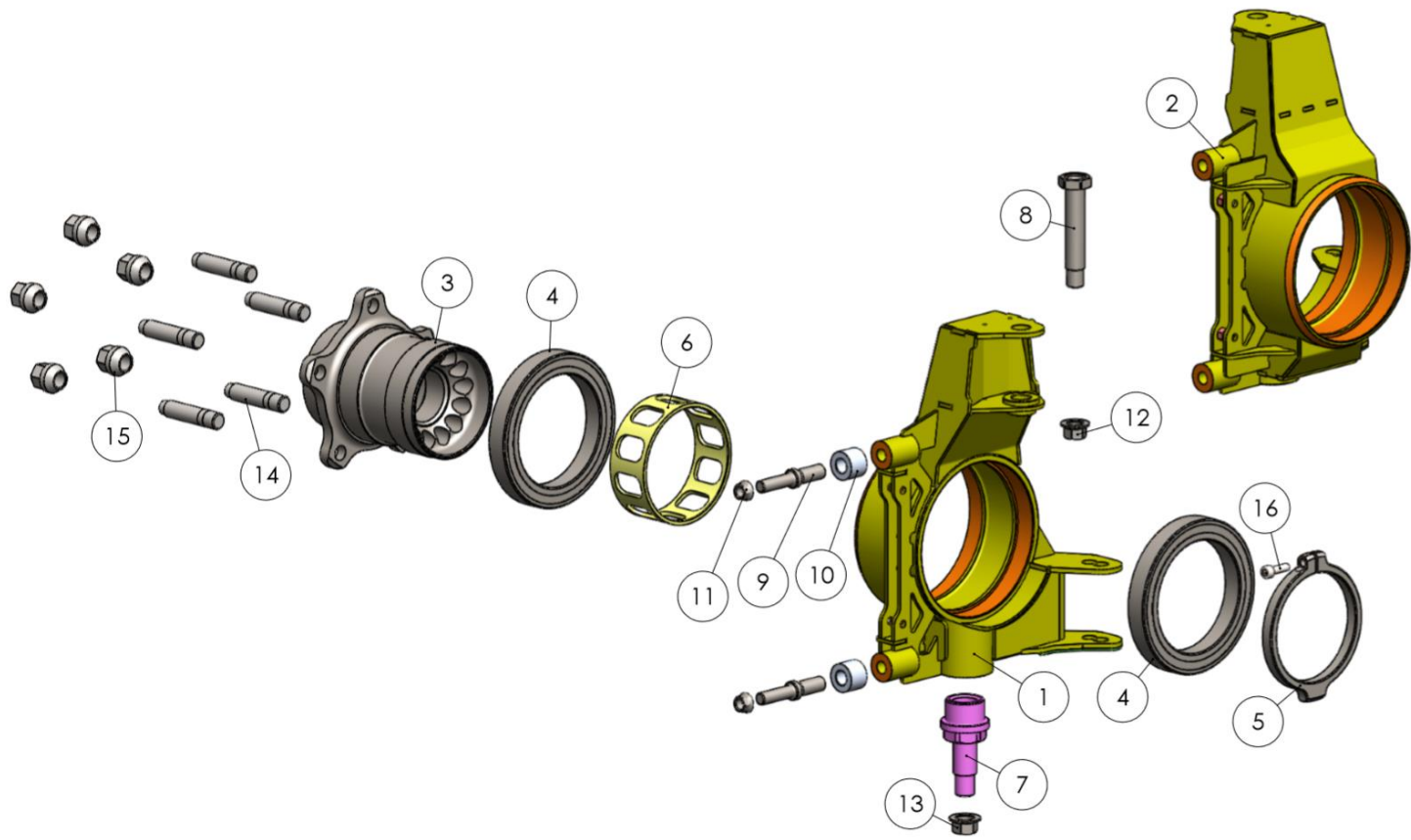
| ITEM NO. | DESCRIPTION | PART NUMBER | Q. |
|----------|-------------------------------|-------------|----|
| 1 | Steering rod. | OM.7-A02-1 | 1 |
| 2 | Rod end - 1 (LH thread) | OM.7-A02-2 | 1 |
| 3 | Rod end - 1 (RH thread) | OM.7-A02-3 | 1 |
| 4 | Outside joint spacer (set -1) | OM.7-A02-4 | 1 |
| 5 | Bolt ½-20 | | 1 |
| 6 | Nut ½-20 | | 1 |
| 7 | Nut 5/8-18 (RH thread) | | 1 |
| 8 | Nut 5/8-18 (LH thread) | | 1 |

Rear toe rod



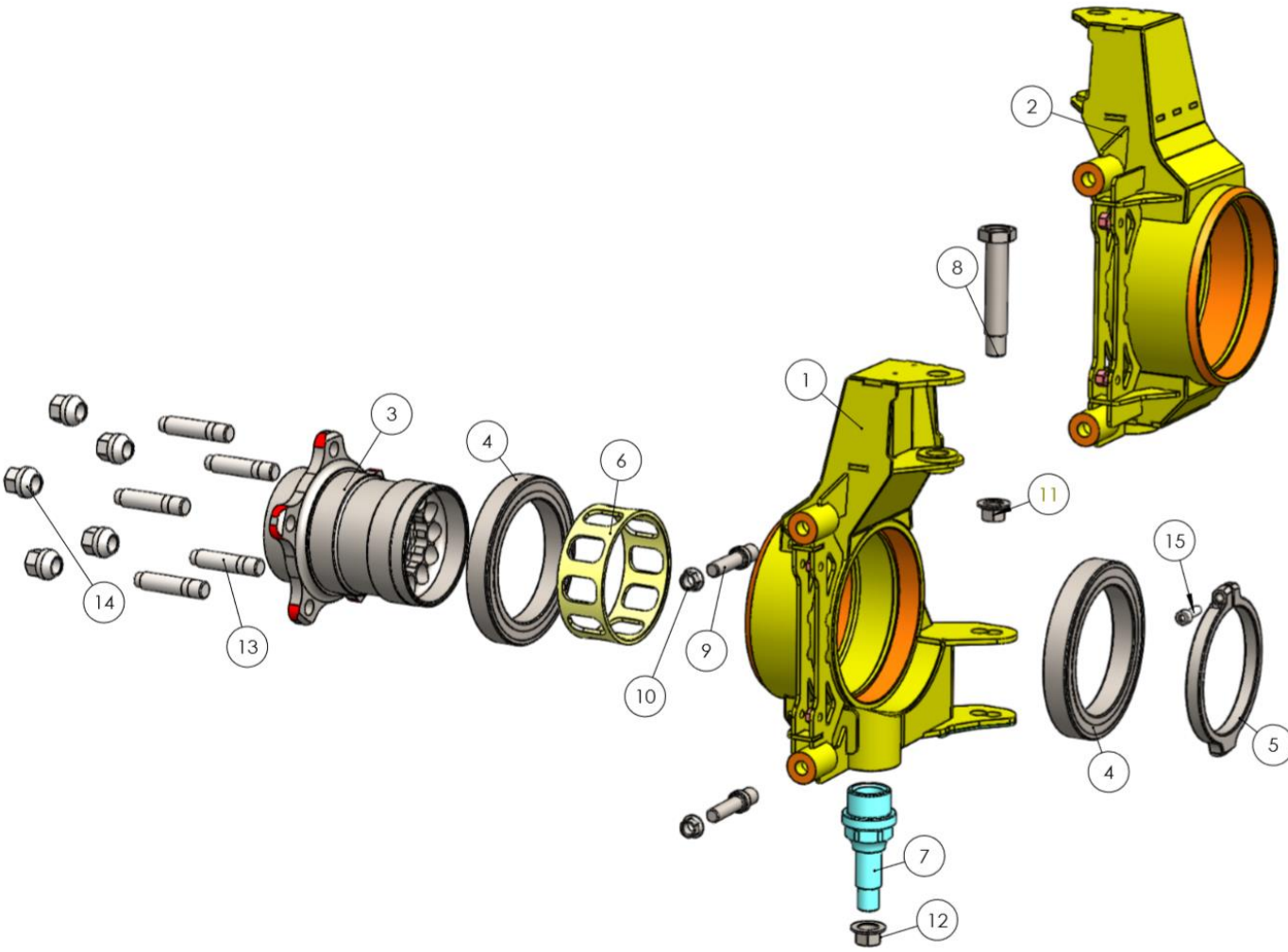
| ITEM NO. | DESCRIPTION | PART NUMBER | Q. |
|----------|-------------------------------|-------------|----|
| 1 | Toe rod | OM.7-A03-1 | 1 |
| 2 | Rod end - 1 (LH thread) | OM.7-A02-2 | 1 |
| 3 | Rod end - 2 (RH thread) | OM.1-A01-4 | 1 |
| 4 | Outside joint spacer (set -1) | OM.7-A03-2 | 1 |
| 5 | Bolt ½-20 | | 1 |
| 6 | Nut ½-20 | | 1 |
| 7 | Nut 5/8-18 (RH thread) | | 1 |
| 8 | Nut 5/8-18 (LH thread) | | 1 |
| 9 | Spacer 30 | OM.1-A12-2 | 2 |
| 10 | Bolt M12x1.5 | | 1 |
| 11 | Nut M12x1.5 | | 1 |

Front wheel upright assembly



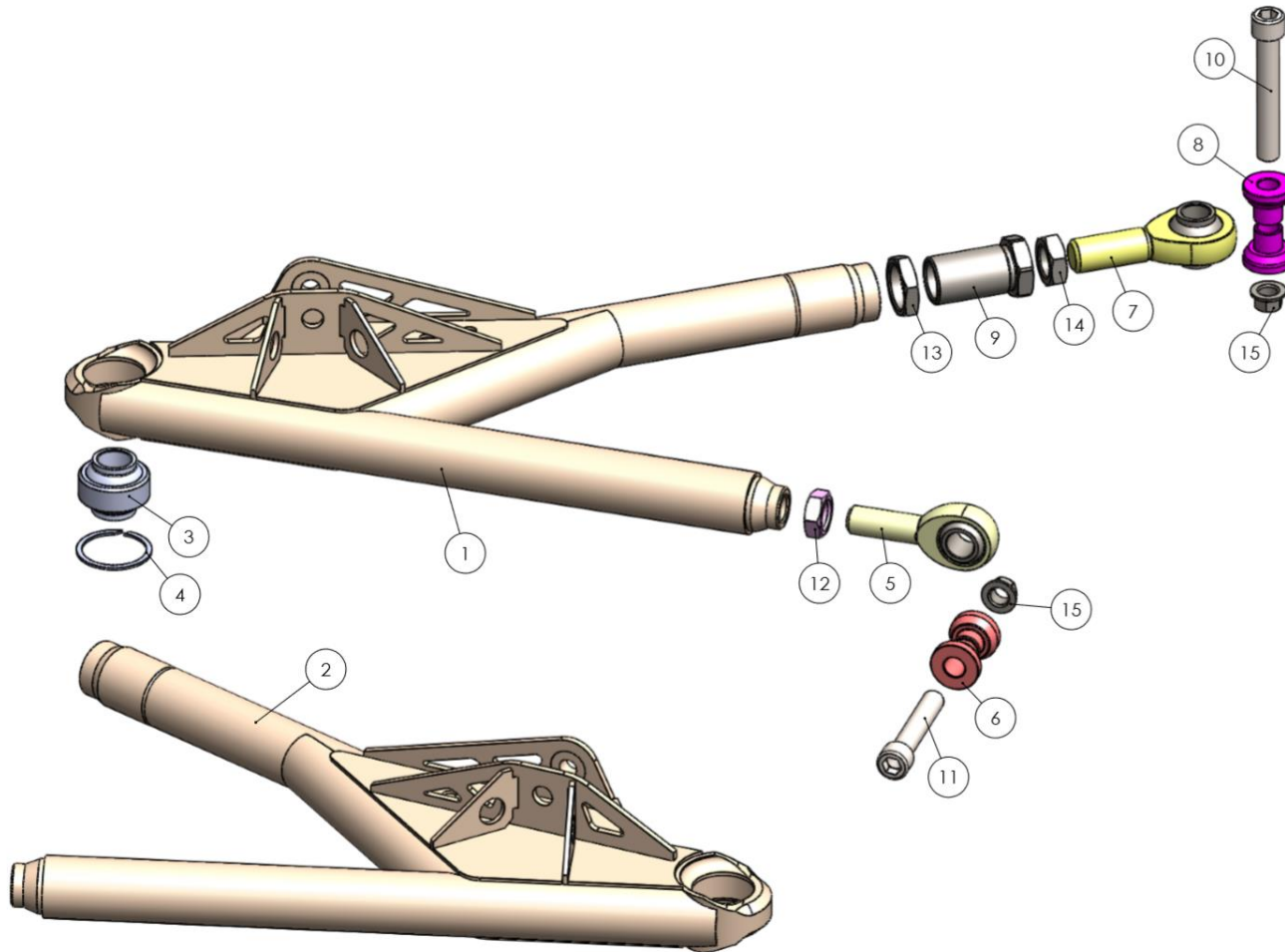
| ITEM NO. | DESCRIPTION | PART NUMBER | Q. |
|----------|----------------------------|-------------|----|
| 1 | Front/rear upright (RH) | OM.1-A05-1 | 1 |
| 2 | Front/rear upright (LH) | OM.1-A06-1 | 1 |
| 3 | Front hub | OM.1-A05-2 | 1 |
| 4 | Bearing | OM.1-A05-3 | 2 |
| 5 | Hub lock nut | OM.1-A05-4 | 1 |
| 6 | Bearing spacer | OM.1-A05-5 | 1 |
| 7 | Front lower king pin | OM.1-A05-6 | 1 |
| 8 | Top king pin -16 | OM.1-A05-7 | 1 |
| 9 | Front brake caliper stud | OM.1-A05-8 | 2 |
| 10 | Front brake caliper spacer | OM.1-A05-9 | 2 |
| 11 | Nut M10 | | 2 |
| 12 | Nut M14x1.5 | | 1 |
| 13 | Nut 5/8-18 | | 1 |
| 14 | Wheel studs | OM.1-A05-10 | 5 |
| 15 | Wheel nuts | OM.1-A05-11 | 5 |
| 16 | Bolt M6 | | |

Rear wheel upright assembly



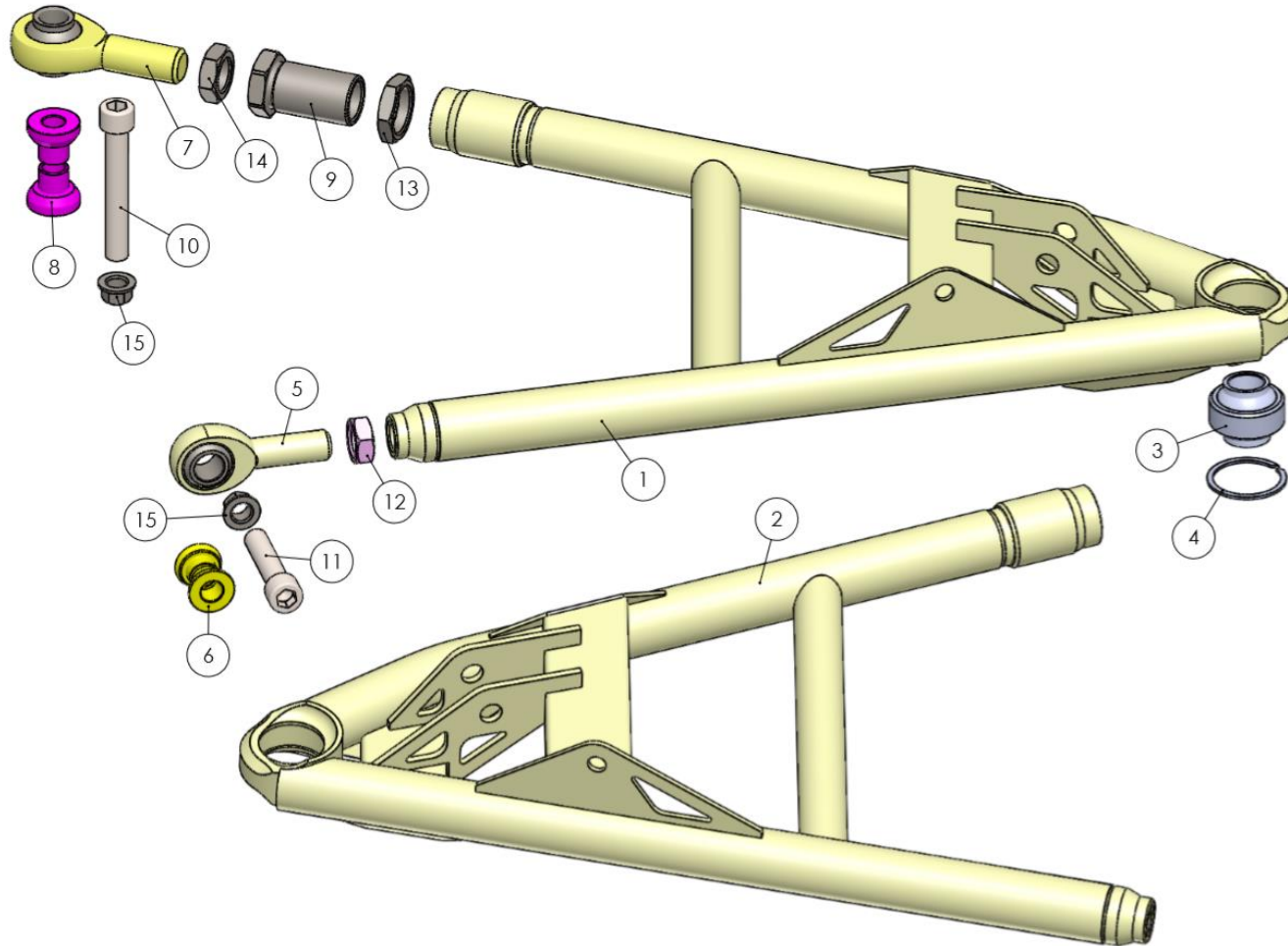
| ITEM NO. | DESCRIPTION | PART NUMBER | Q. |
|----------|--------------------------|-------------|----|
| 1 | Front/rear upright (RH) | OM.1-A05-1 | 1 |
| 2 | Front/rear upright (LH) | OM.1-A06-1 | 1 |
| 3 | Rear hub | OM.1-A18-1 | 1 |
| 4 | Bearing | OM.1-A05-3 | 2 |
| 5 | Hub lock nut | OM.1-A05-4 | 1 |
| 6 | Bearing spacer | OM.1-A05-5 | 1 |
| 7 | Rear lower king pin - 28 | OM.1-A18-2 | 1 |
| 8 | Top king pin | OM.1-A05-7 | 1 |
| 9 | Rear brake caliper stud | OM.1-A18-3 | 2 |
| 10 | Nut M10 | | 2 |
| 11 | Nut M14x1.5 | | 1 |
| 12 | Nut 5/8-18 | | 1 |
| 13 | Wheel studs | OM.1-A05-10 | 5 |
| 14 | Wheel nuts | OM.1-A05-11 | 5 |
| 15 | Bolt M6 | | 1 |

Front lower arm assembly



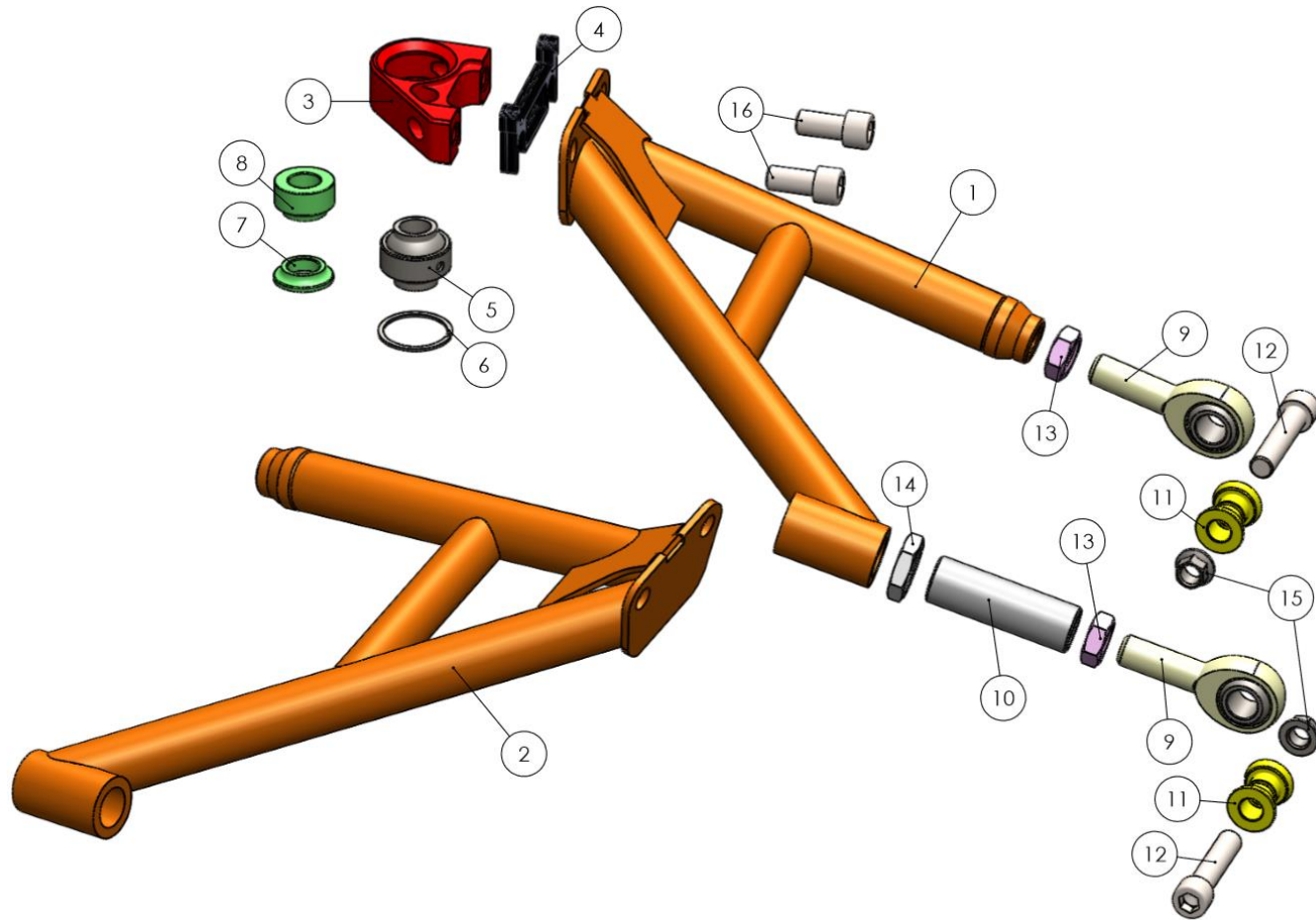
| ITEM NO. | DESCRIPTION | PART NUMBER | Q. |
|----------|-------------------------|-------------|----|
| 1 | Front lower arm (RH) | OM.1-A01-1 | 1 |
| 2 | Front lower arm (LH) | OM.1-A02-1 | 1 |
| 3 | Outer joint - 19 | OM.1-A01-2 | 1 |
| 4 | Circlip | OM.1-A01-3 | 1 |
| 5 | Rod end – 2 (RH thread) | OM.1-A01-4 | 1 |
| 6 | Spacer 40 | OM.1-A01-5 | 2 |
| 7 | Rod end – 3 (RH thread) | OM.1-A01-6 | 1 |
| 8 | Spacer 50 | OM.1-A01-7 | 2 |
| 9 | Intermedia adjuster M27 | OM.1-A01-8 | 1 |
| 10 | Bolt M12x1.5, L80 | | 1 |
| 11 | Bolt M12x1.5, L65 | | 1 |
| 12 | Nut 5/8-18 (RH) | | 1 |
| 13 | Nut M27x1.5 (LH) | OM.1-A01-9 | 1 |
| 14 | Nut 3/4-16 (RH) | | 1 |
| 15 | Nut M12x1.5 | | 2 |

Rear lower arm assembly



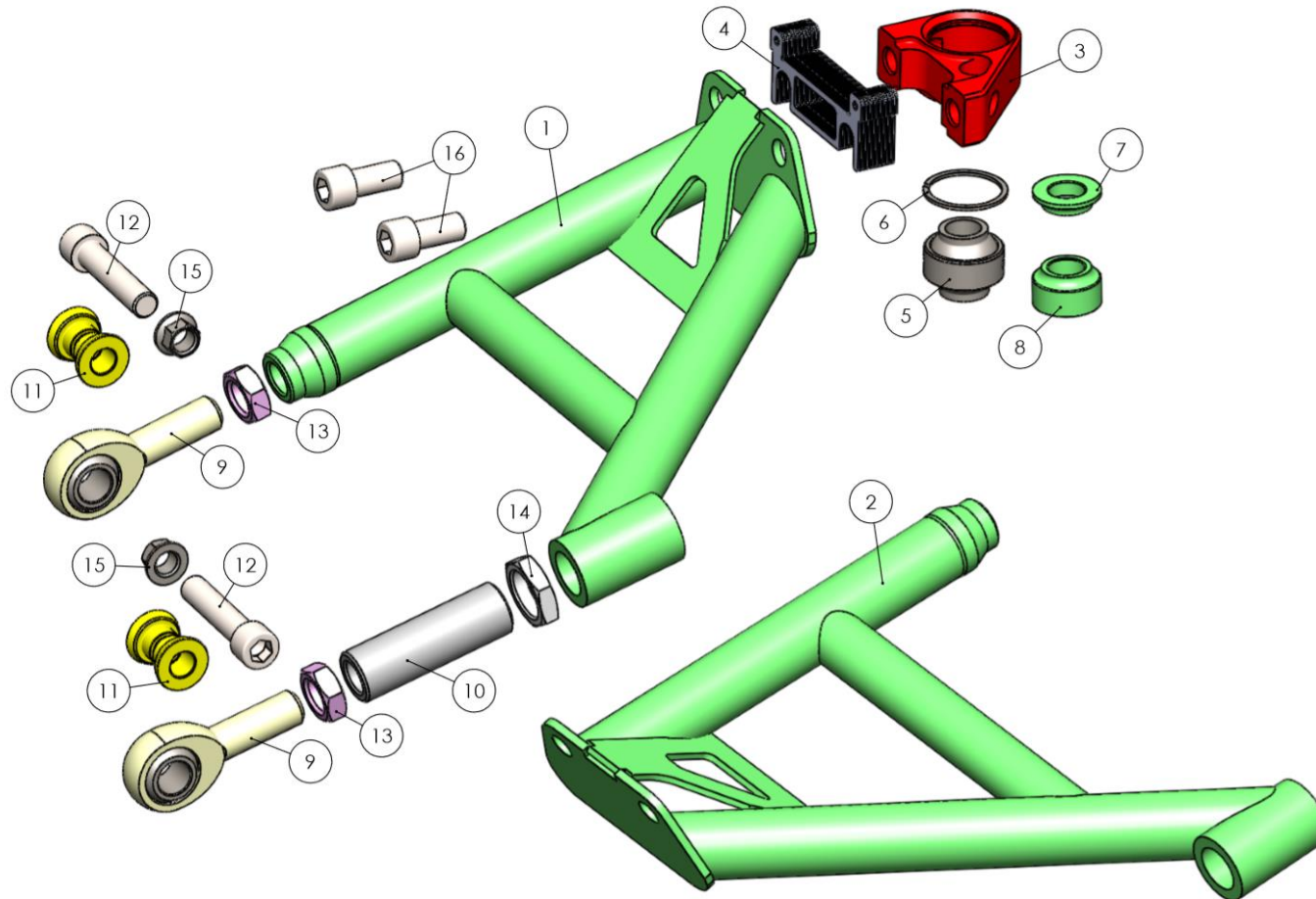
| ITEM NO. | DESCRIPTION | PART NUMBER | Q. |
|----------|-------------------------|-------------|----|
| 1 | Rear lower arm (RH) | OM.1-A12-1 | 1 |
| 2 | Rear lower arm (LH) | OM.1-A13-1 | 1 |
| 3 | Outer joint - 19 | OM.1-A01-2 | 1 |
| 4 | Circlip | OM.1-A01-3 | 1 |
| 5 | Rod end – 2 (RH thread) | OM.1-A01-4 | 1 |
| 6 | Spacer 30 | OM.1-A12-2 | 2 |
| 7 | Rod end – 3 (RH thread) | OM.1-A01-6 | 1 |
| 8 | Spacer 50 | OM.1-A01-7 | 2 |
| 9 | Intermedia adjuster M27 | OM.1-A01-8 | 1 |
| 10 | Bolt M12x1.5, L80 | | 1 |
| 11 | Bolt M12x1.5, L55 | | 1 |
| 12 | Nut 5/8-18 (RH) | | 1 |
| 13 | Nut M27x1.5 (LH) | OM.1-A01-9 | 1 |
| 14 | Nut 3/4-16 (RH) | | 1 |
| 15 | Nut M12x1.5 | | 2 |

Front top arm assembly



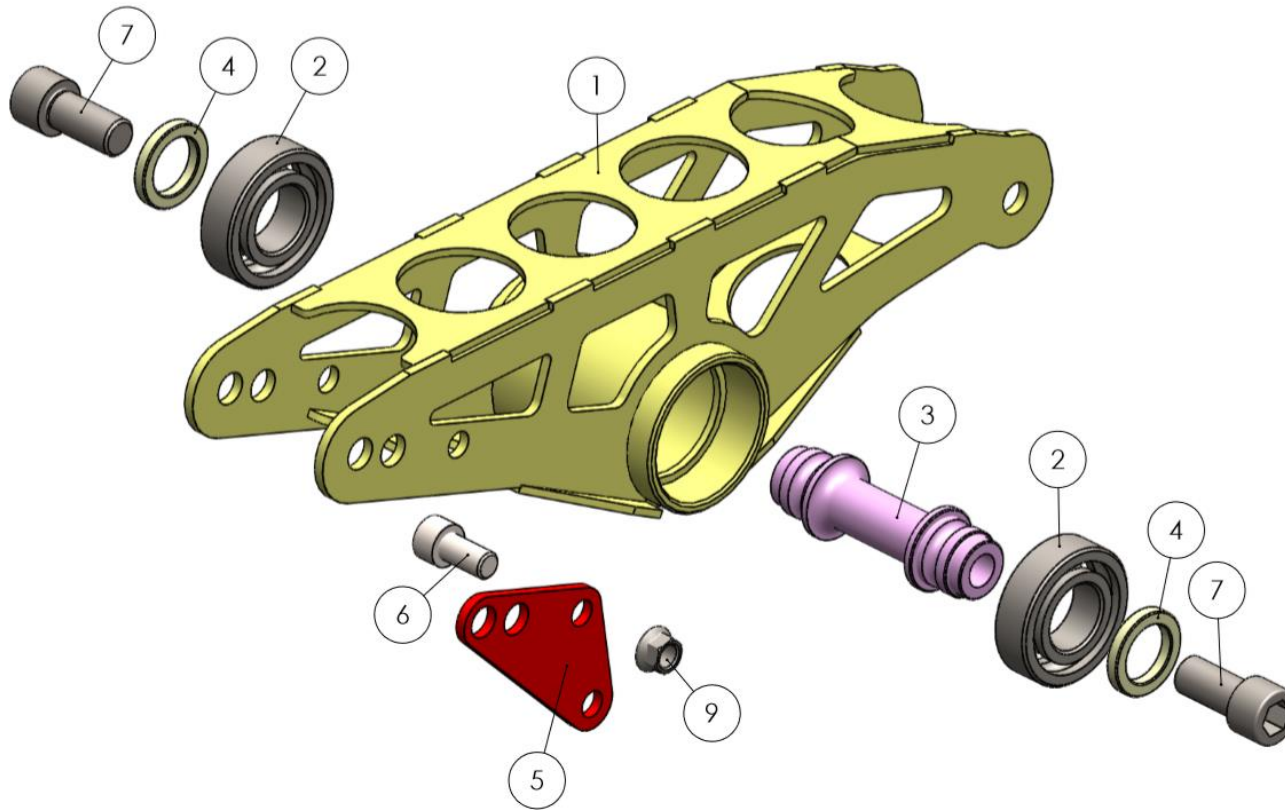
| ITEM NO. | DESCRIPTION | PART NUMBER | Q. |
|----------|-------------------------|-------------|----|
| 1 | Front top arm (RH) | OM.1-A03-1 | 1 |
| 2 | Front top arm (LH) | OM.1-A04-1 | 1 |
| 3 | Outer joint housing | OM.1-A03-2 | 1 |
| 4 | Spacer | OM.1-A03-3 | 20 |
| 5 | Outer joint - 16 | OM.1-A03-4 | 1 |
| 6 | Circlip | OM.1-A03-5 | 1 |
| 7 | Spacer - 7 | OM.1-A03-6 | 1 |
| 8 | Spacer - 17 | OM.1-A03-7 | 1 |
| 9 | Rod end – 2 (RH thread) | OM.1-A01-4 | 2 |
| 10 | Intermedia adjuster M24 | OM.1-A03-8 | 1 |
| 11 | Spacer 30 | OM.1-A12-2 | 4 |
| 12 | Bolt M12x1.5, L55 | | 2 |
| 13 | Nut 5/8-18 (RH) | | 2 |
| 14 | Nut M24x1.5 (LH) | OM.1-A03-10 | 1 |
| 15 | Nut M12x1.5 | | 2 |
| 16 | Bolt M12x1.5, L25 | | 2 |

Rear top arm assembly



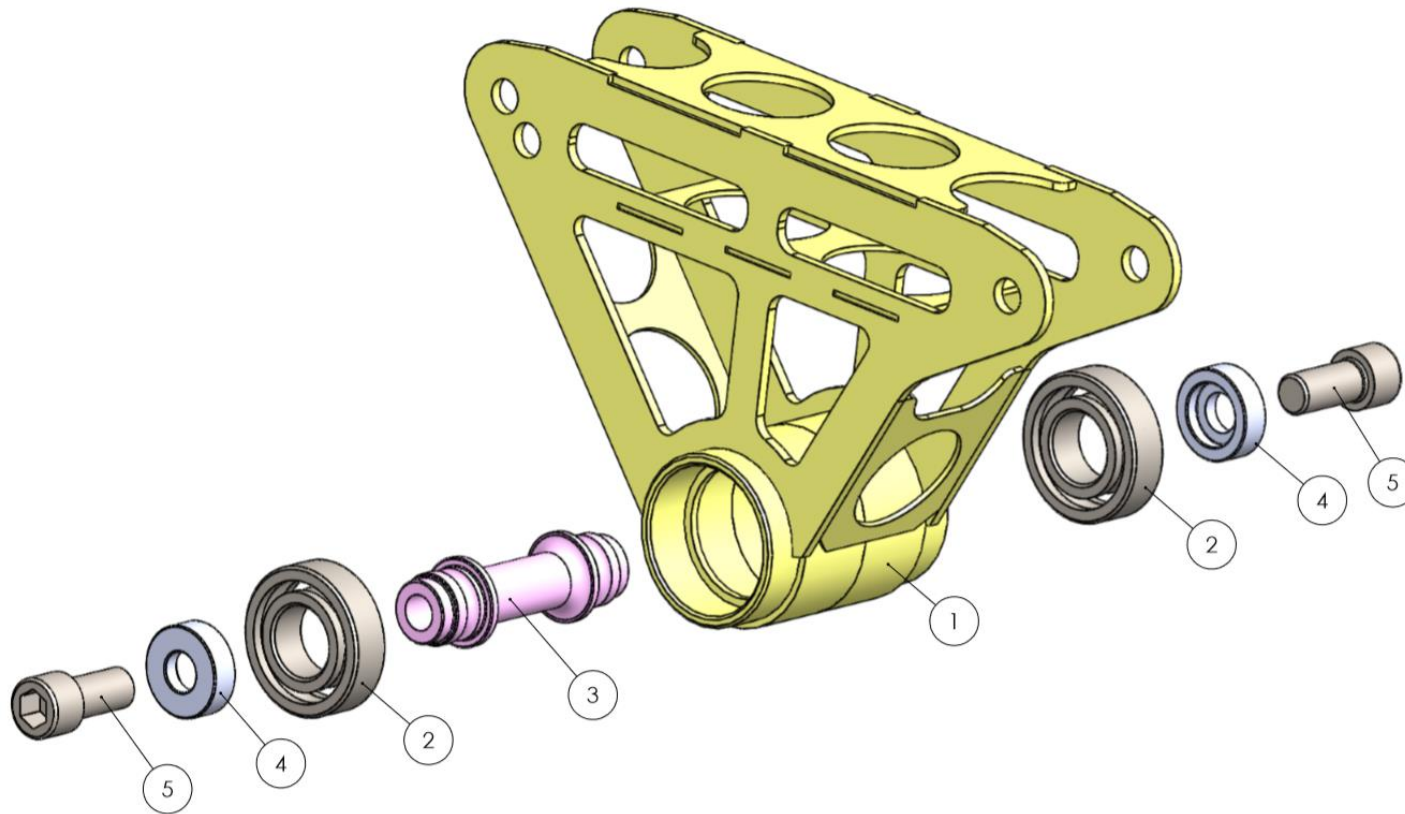
| ITEM NO. | DESCRIPTION | PART NUMBER | Q. |
|----------|-------------------------|-------------|----|
| 1 | Rear top arm (RH) | OM.1-A14-1 | 1 |
| 2 | Rear top arm (LH) | OM.1-A15-1 | 1 |
| 3 | Outer joint housing | OM.1-A03-2 | 1 |
| 4 | Spacer | OM.1-A03-3 | 20 |
| 5 | Outer joint - 16 | OM.1-A03-4 | 1 |
| 6 | Circlip | OM.1-A03-5 | 1 |
| 7 | Spacer - 7 | OM.1-A03-6 | 1 |
| 8 | Spacer - 17 | OM.1-A03-7 | 1 |
| 9 | Rod end - 2 (RH thread) | OM.1-A01-4 | 2 |
| 10 | Intermedia adjuster M24 | OM.1-A03-8 | 1 |
| 11 | Spacer 30 | OM.1-A12-2 | 4 |
| 12 | Bolt M12x1.5, L55 | | 2 |
| 13 | Nut 5/8-18 (RH) | | 2 |
| 14 | Nut M24x1.5 (LH) | OM.1-A03-10 | 1 |
| 15 | Nut M12x1.5 | | 2 |
| 16 | Bolt M12x1.5, L25 | | 2 |

Front rocker assembly



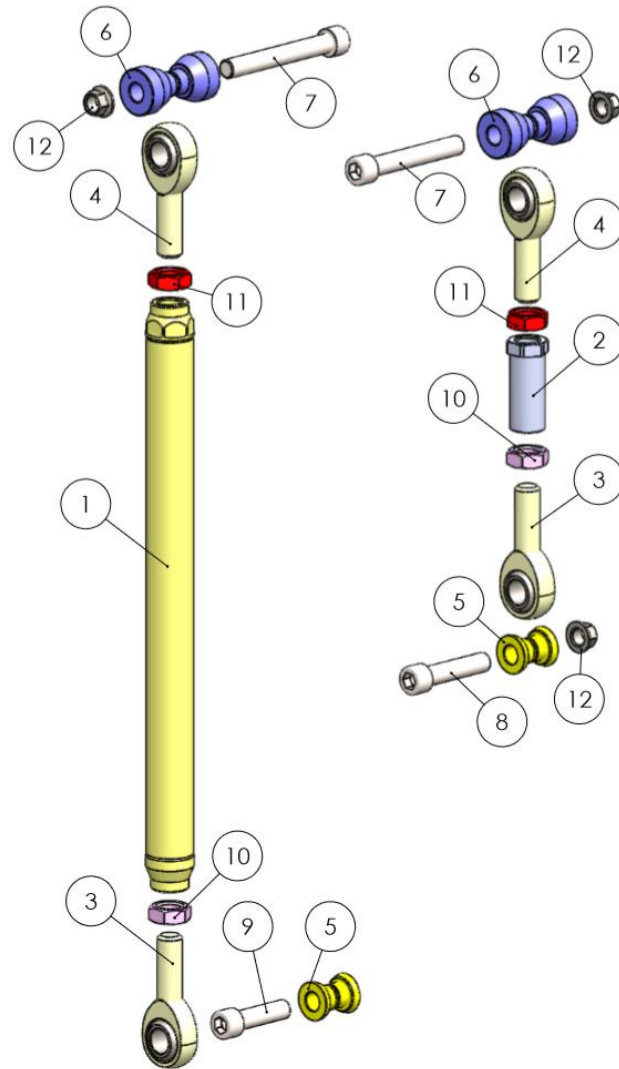
| ITEM NO. | DESCRIPTION | PART NUMBER | Q. |
|----------|-------------------------|-------------|----|
| 1 | Front rocker | OM.1-A07-1 | 1 |
| 2 | Bearing | OM.1-A07-2 | 2 |
| 3 | Axle | OM.1-A07-3 | 1 |
| 4 | Spacer | OM.1-A07-4 | 2 |
| 5 | Antiroll bar attachment | OM.1-A07-4 | 1 |
| 6 | Bolt M10, L20 | | 1 |
| 7 | Bolt M14x1.5, L25 | | 2 |
| 8 | Nut M10 | | 1 |

Rear rocker assembly



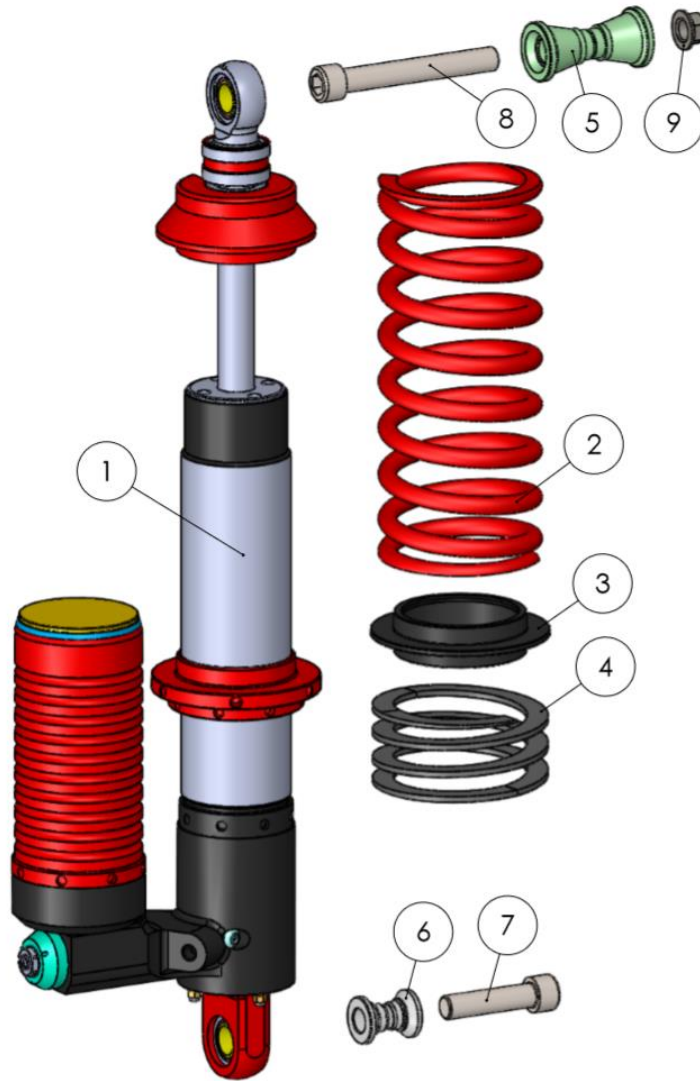
| ITEM NO. | DESCRIPTION | PART NUMBER | Q. |
|----------|-------------------|-------------|----|
| 1 | Rear rocker | OM.1-A18-1 | 1 |
| 2 | Bearing | OM.1-A07-2 | 2 |
| 3 | Axle | OM.1-A07-3 | 1 |
| 4 | Spacer | OM.1-A18-2 | 2 |
| 5 | Bolt M14x1.5, L25 | | 2 |

Pushrods



| ITEM NO. | DESCRIPTION | PART NUMBER | Q. |
|----------|-------------------------|-------------|----|
| 1 | Front pushrod | OM.1-A08-1 | 1 |
| 2 | Rear pushrod | OM.1-A19-1 | 1 |
| 3 | Rod end – 2 (RH thread) | OM.1-A01-4 | 1 |
| 4 | Rod end – 2 (LH thread) | OM.1-A08-2 | 1 |
| 5 | Spacer 30 | OM.1-A12-2 | 2 |
| 6 | Spacer 60 | OM.1-A08-3 | 2 |
| 7 | Bolt M12x1.5, L85 | | 1 |
| 8 | Bolt M12x1.5, L55 | | 1 |
| 9 | Bolt M12x1.5, L45 | | 1 |
| 10 | Nut 5/8-18 (RH thread) | OM.1-A03-8 | 1 |
| 11 | Nut 5/8-18 (LH thread) | OM.1-A12-2 | 1 |
| 12 | Nut M12x1.5 | | 3 |

Front damper



| ITEM NO. | DESCRIPTION | PART NUMBER | Q. |
|----------|-------------------|-------------|----|
| 1 | Front damper | OM.1-A09-1 | 1 |
| 2 | Main spring - 1 | OM.1-A09-2 | 1 |
| 3 | Spring guide | OM.1-A09-3 | 1 |
| 4 | Helper spring | OM.1-A09-4 | 1 |
| 5 | Damper spacer 60 | OM.1-A09-5 | 2 |
| 6 | Damper spacer 30 | OM.1-A09-6 | 2 |
| 7 | Bolt M12x1.5, L50 | | 1 |
| 8 | Bolt M12x1.5, L85 | | 1 |
| 9 | Nut M12x1.5 | | 1 |

Notes:

- There are few different stiffness main springs to choose