



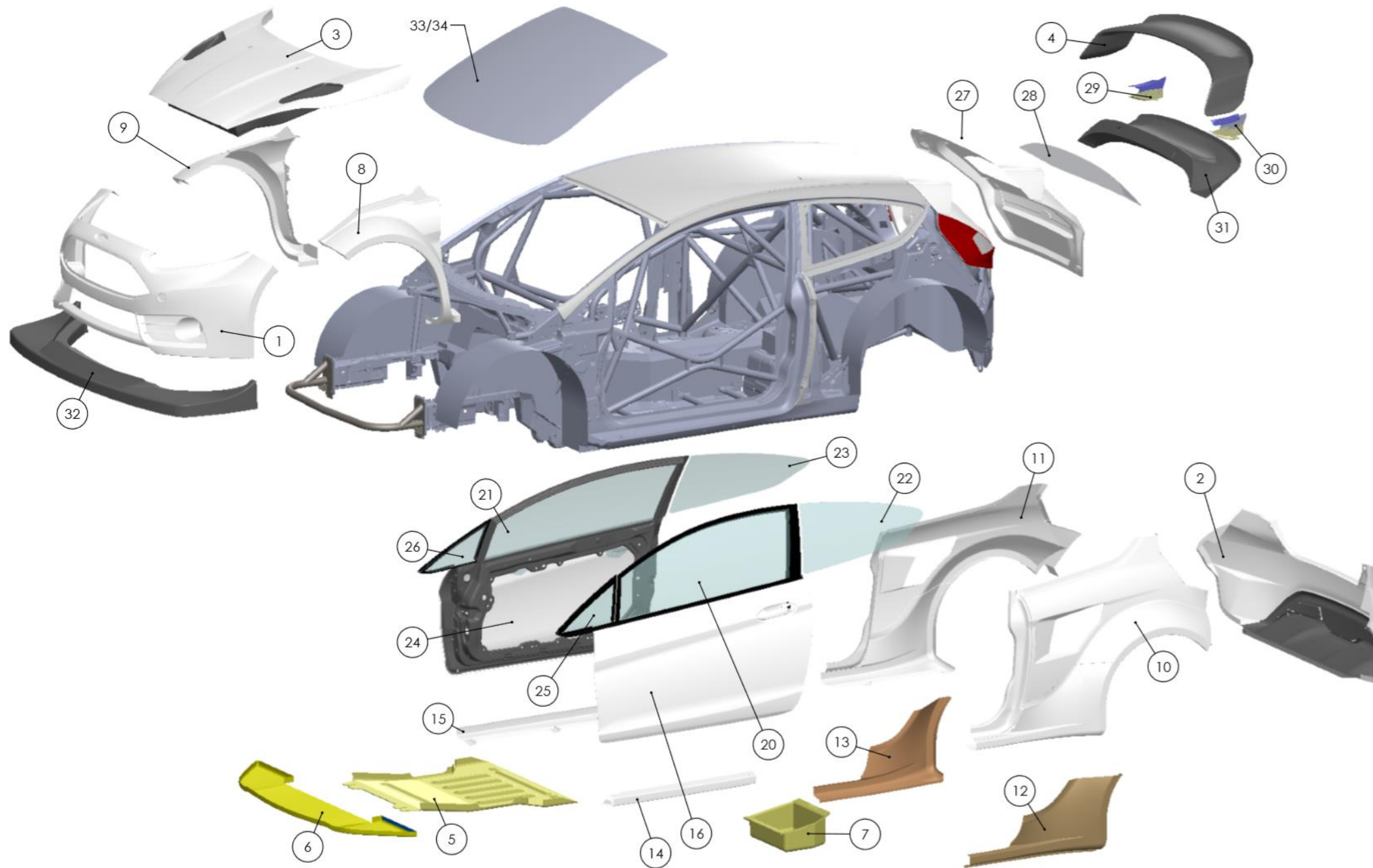
Olsbergs MSE

Ford Fiesta ST RX Supercar

Spare parts catalog

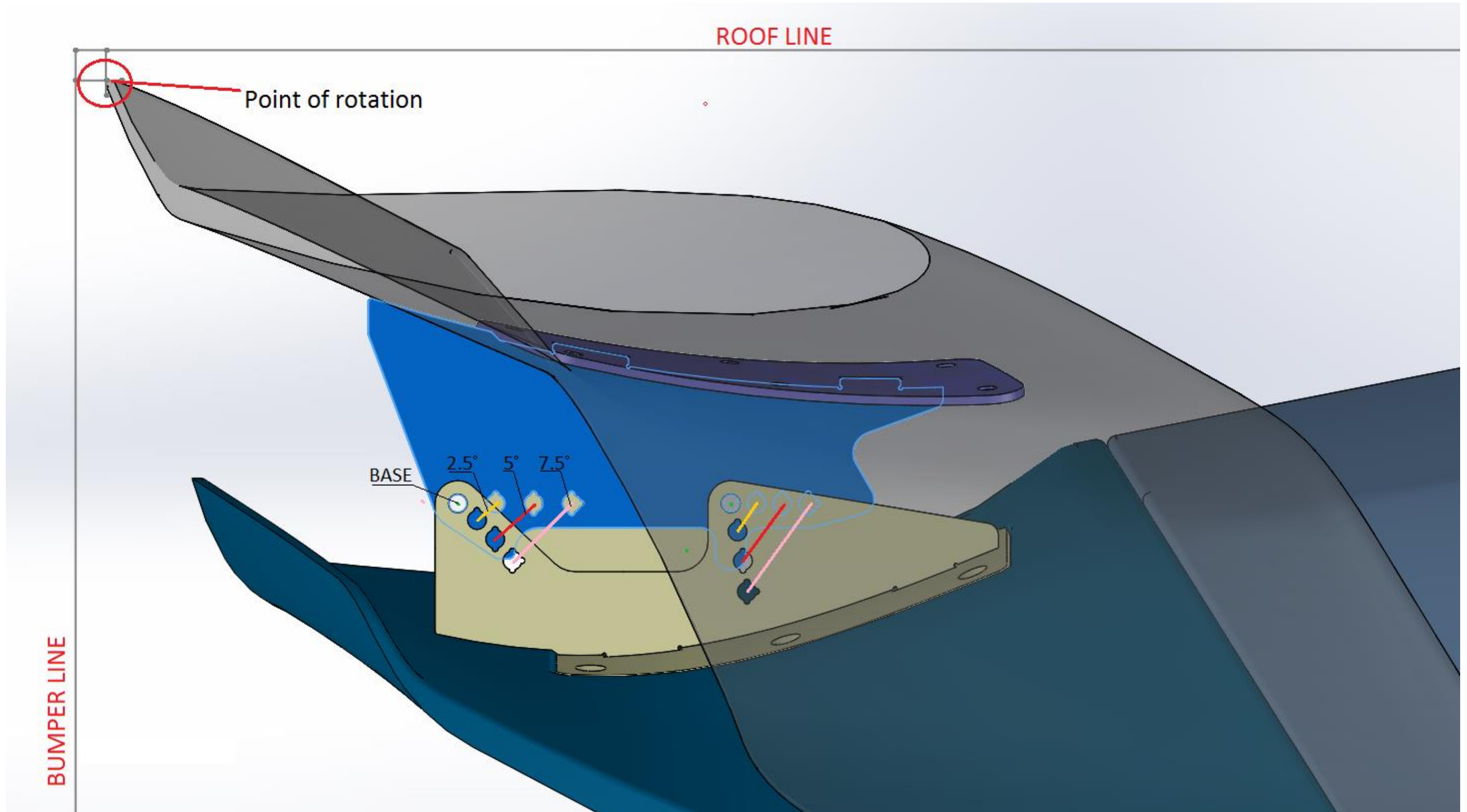
2015 - 2019

Body parts, windows, aero devices, underfloor protections

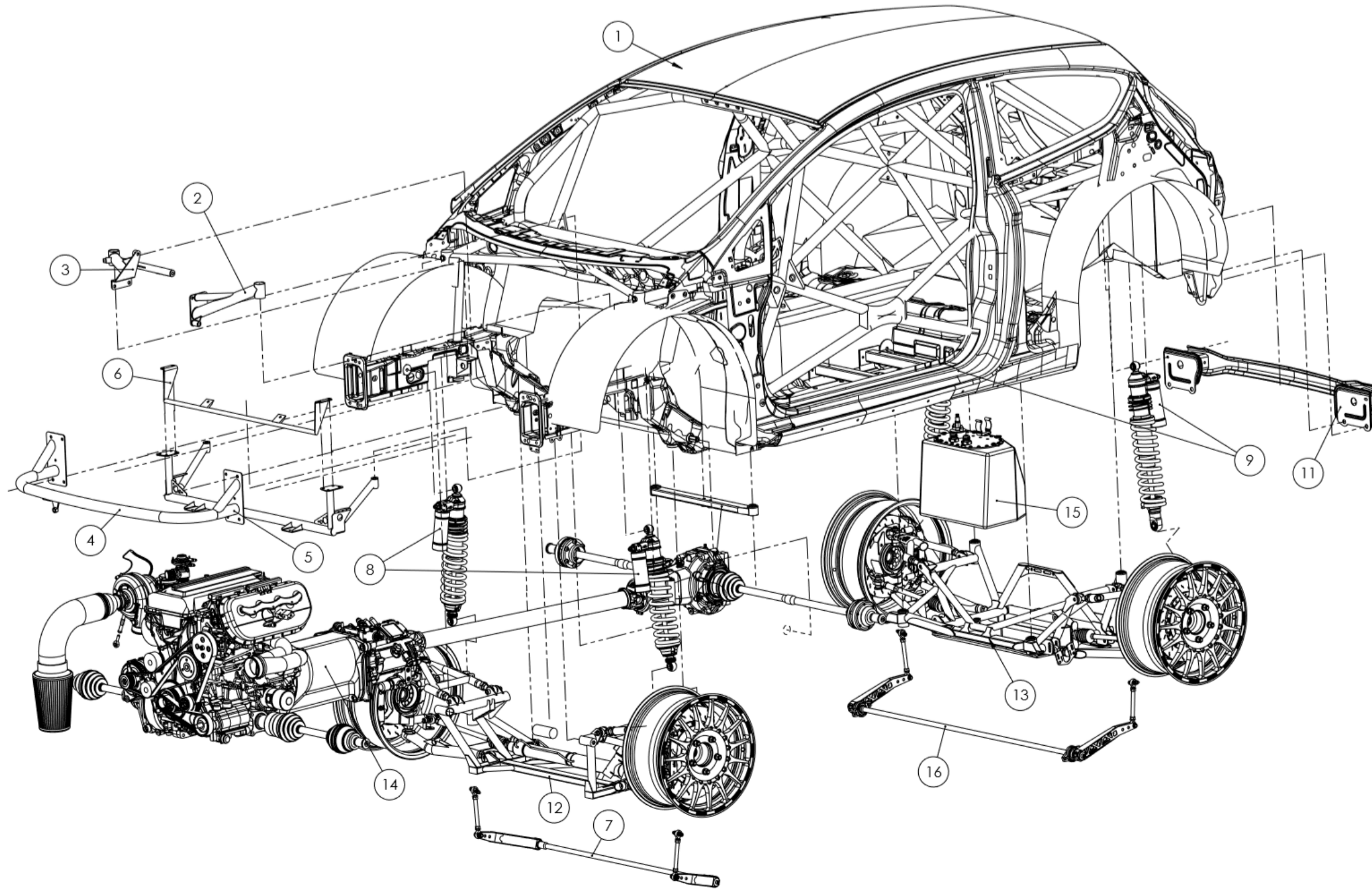


ITEM NO.	DESCRIPTION	PART NUMBER	Q
1	Front bumper	OM10001	1
2	Rear bumper	OM10003	1
3	Hood	OM10005	1
4	Rear wing (NEW)	OM11007	1
5	Front Skid Plate	OM10008	1
6	Front Bumper Splitter	OM10009	1
7	Fuel Tank Cover	OM10010	1
8	Front Left Side Fender	OM10011	1
9	Front Right Side Fender	OM10013	1
10	Rear Left Fender	OM10015	1
11	Rear Right Fender	OM10017	1
12	Left Side Gravel Protection	OM10019	1
13	Right Side Gravel Protection	OM10020	1
14	Left side Skirts	OM10021	1
15	Right side Skirts	OM10023	1
16	Left Side Door (metal)	OM10025	1
17	Left Side Door Handel	OM10027	1
18	Right Side Door Handel	OM10028	1
19	Left Side Door Trim	OM10029	1
20	Left Side Window	OM10030	1
21	Right Side Window	OM10031	1
22	Left Side Rear Window	OM10032	1
23	Right Side Rear Window	OM10033	1
24	Right Side Door (plastic)	OM10034	1
25	3/4 Left side window	OM10035	1
26	3/4 right side window	OM10036	1
27	Tail Gate (NEW)	OM11037	1
28	Tail Gate Window (NEW)	OM11038	1
29	Rear aero wing brackets (Right)	OM11039	1
30	Rear aero wing brackets (Left)	OM11042	1
31	Rear lower wing (NEW)	OM11043	1
32	Racing type front splitter	OM11044	1
33	Windscreen (Glass)	OM10040	1
34	Windscreen (plastic)	OM10041	1

Rear aero wing adjustments

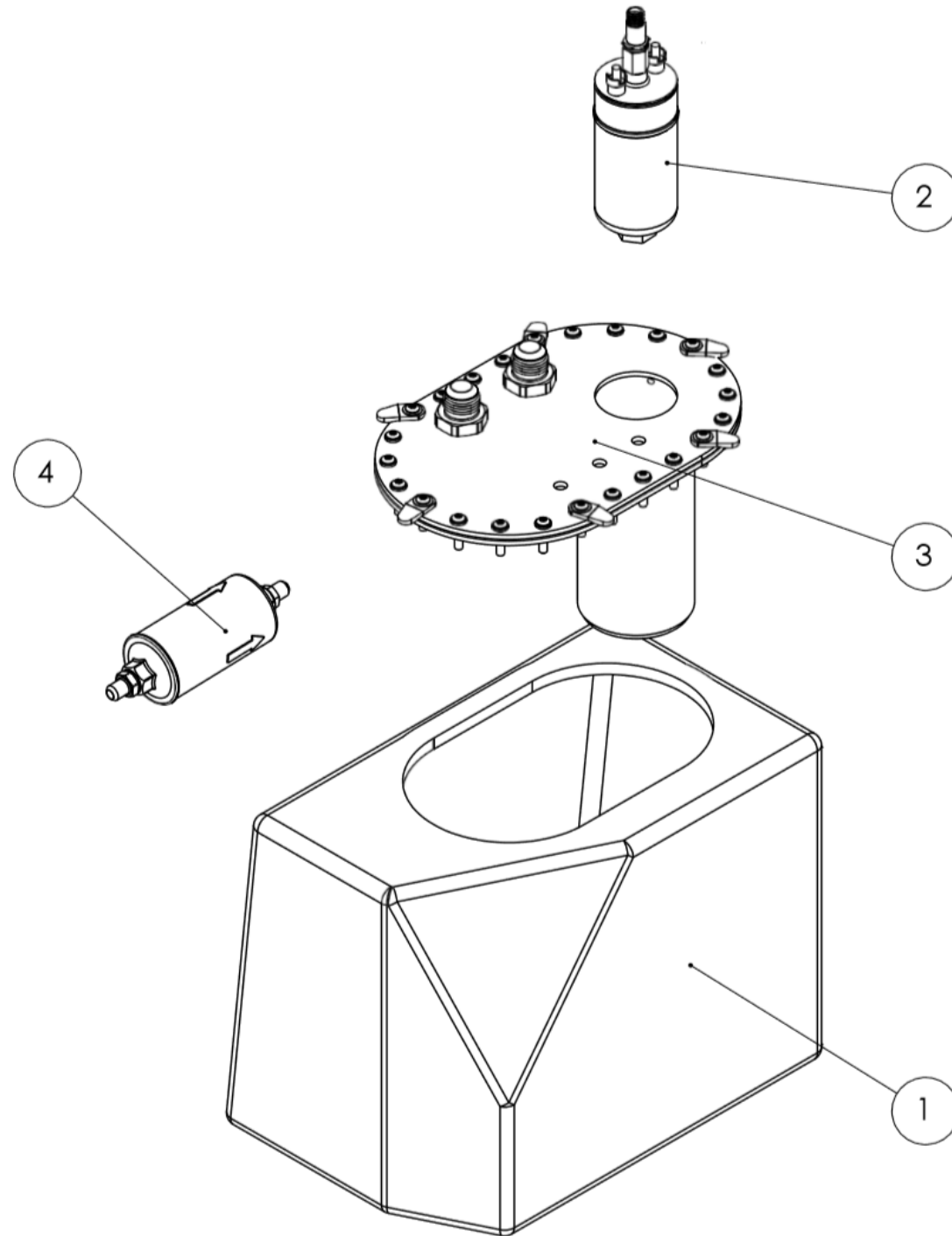


Rolling chassis and powertrain parts



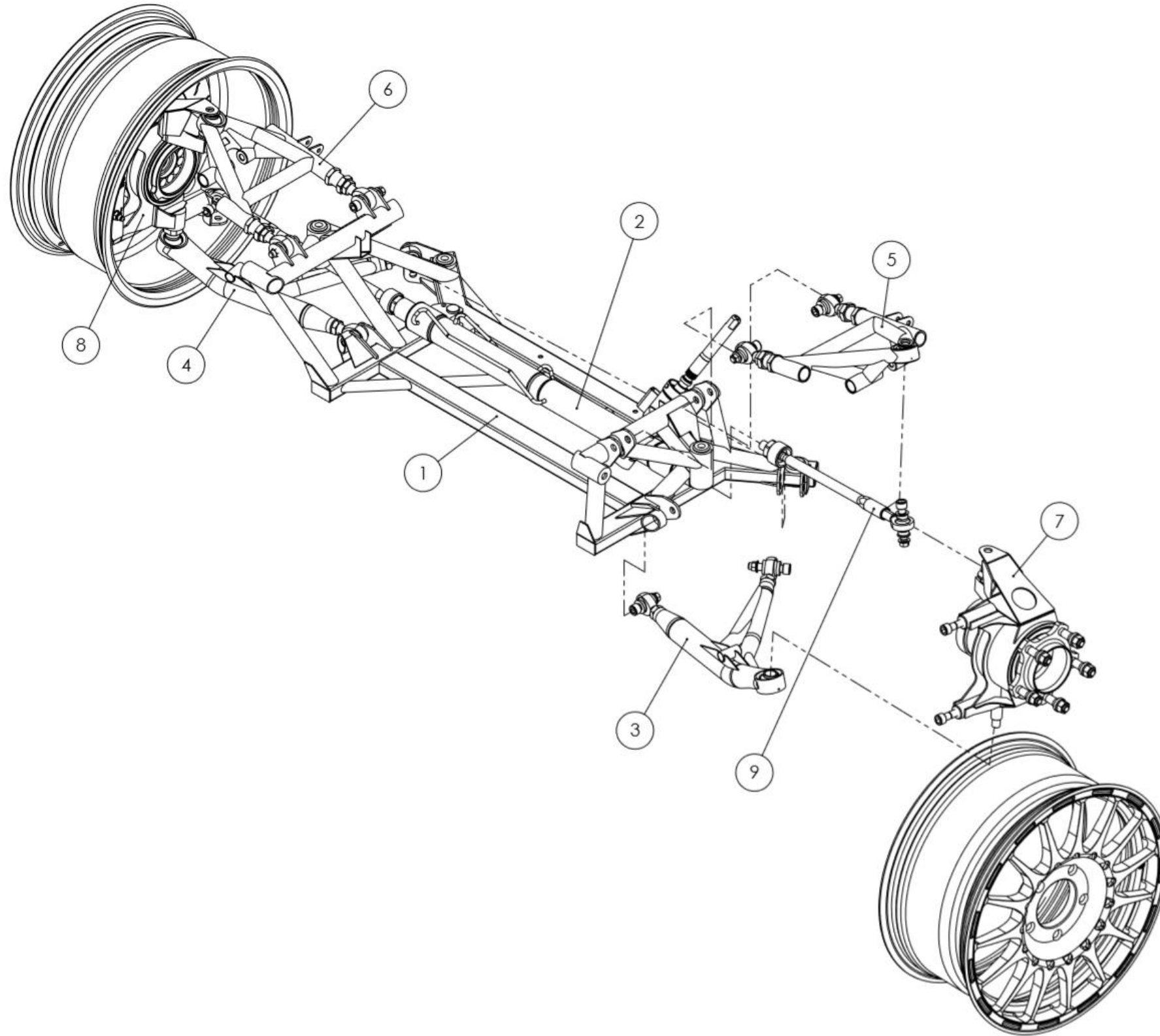
ITEM NO.	DESCRIPTION	PART NUMBER	Q
1	Complete body	OM10000	1
2	Left side engine bracket	OM10049	1
3	Right side engine bracket	OM10050	1
4	Front crash bar	OM10051	1
5	Front skid plate bracket	OM10052	1
6	Intercooler bracket	OM10053	1
7	Front anti-roll bar (NEW)	OM10064	1
8	Front damper	OM10073	2
9	Rear damper	OM10080	2
10	Gearbox bracket	OM10054	1
11	Rear crash bar	OM10055	1
12	Front suspension ass.	OM10888	1
13	Rear suspension ass.	OM10333	1
14	Powertrain ass.	OM10337	1
15	Fuel tank ass.	OM10226	1
16	Rear antiroll bar (NEW)	OM10555	1

Fuel cell assembly



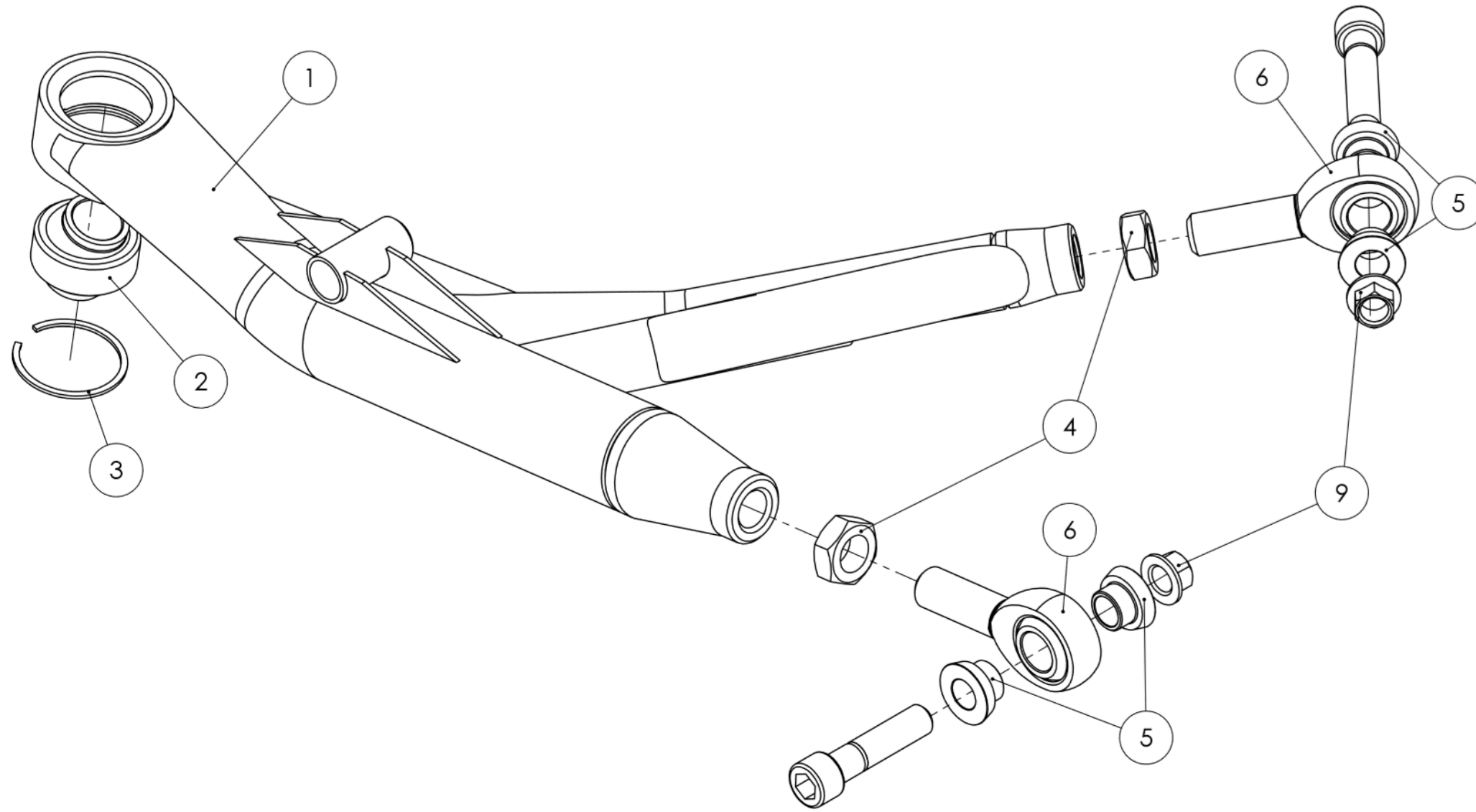
ITEM NO.	DESCRIPTION	PART NUMBER	Q
1	Fuel tank cell	OM10226	1
2	High pressure pump	OM10222	1
3	Mounting plate	OM10225	1
4	Fuel filter	OM10224	1

Front suspension assemblies 2014 - 2017



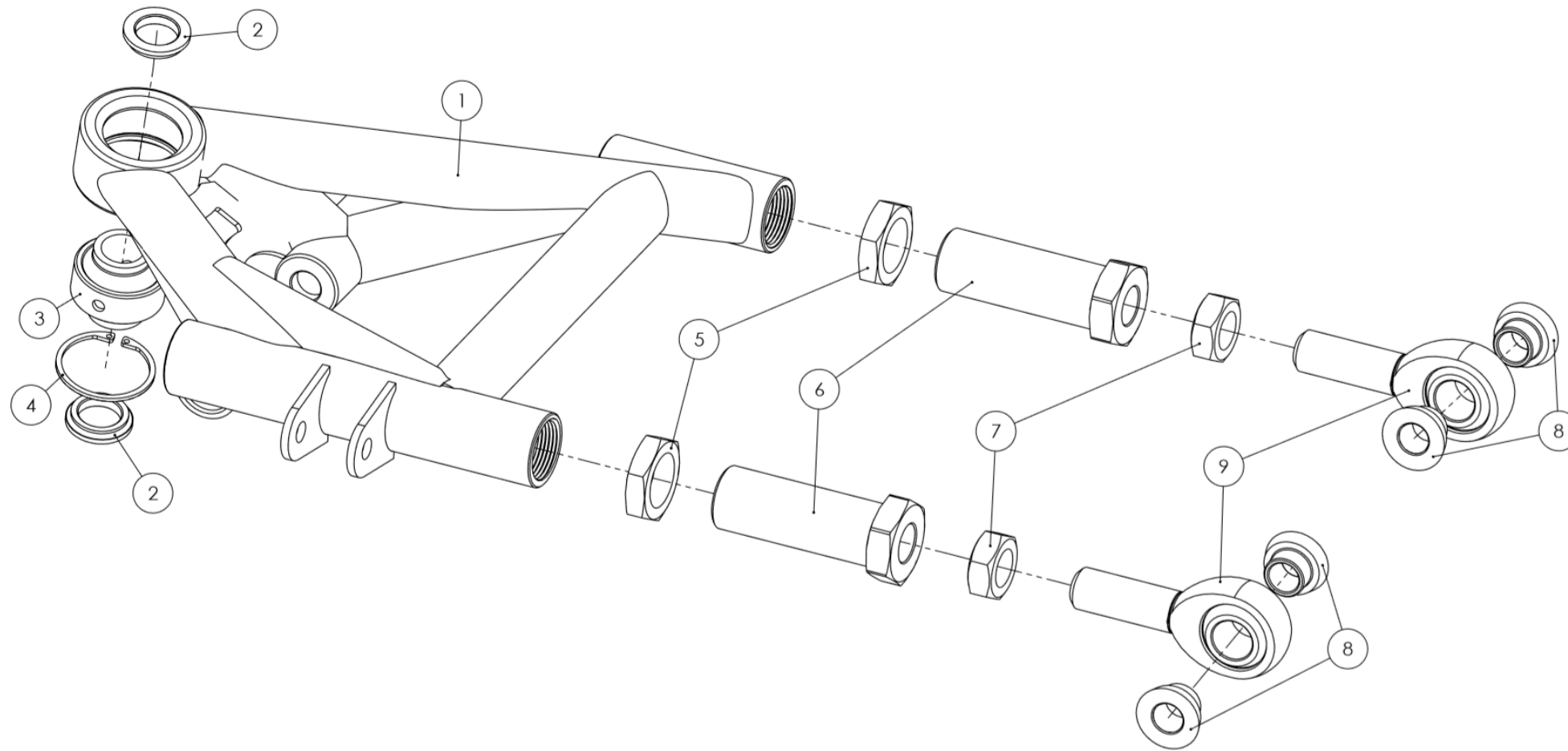
ITEM NO.	DESCRIPTION	PART NUMBER	Q
1	Front sub-frame	OM10088	1
2	Steering rack	OM10120	1
3	Front left lower control arm ass.	OM10089L	1
4	Front right lower control arm ass.	OM10089R	1
5	Front left top control arm ass.	OM10097L	1
6	Front right top control arm ass.	OM10097R	1
7	Front left upright ass.	OM10108L	1
8	Front right upright ass.	OM10108R	1
9	Front steering arm ass.	OM10125	2

Front lower control arm 2014 - 2017



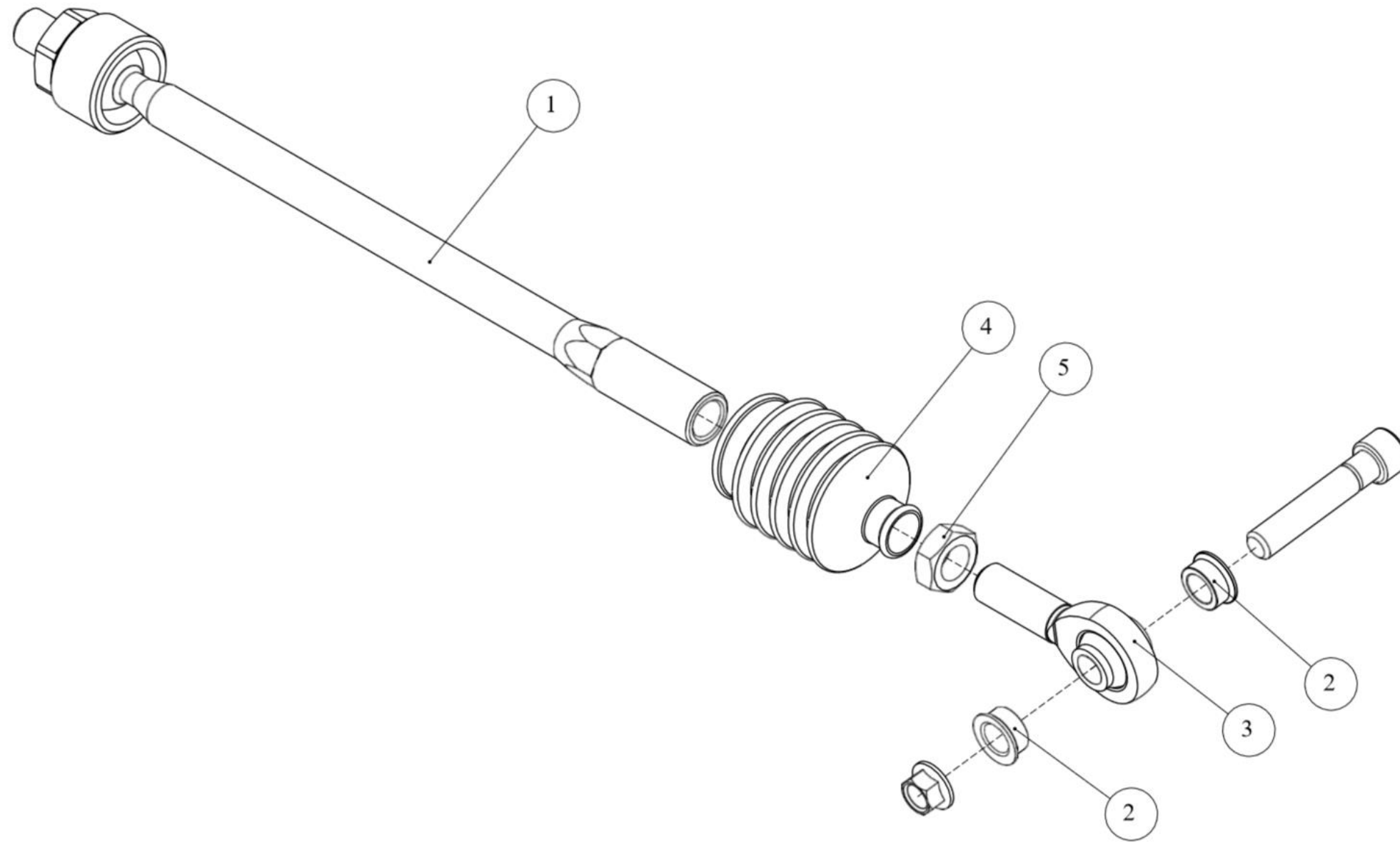
ITEM NO.	DESCRIPTION	PART NUMBER	Q
1	Front left lower control arm	OM10090	1
1	Front right lower control arm	OM10091	1
2	Lower arm outside uniball	OM10092	1
3	Uniball circlip	OM10093	1
4	Lock nut 5/8-18 (RH thr.)	OM10094	2
5	Rod end spacer	OM10095	4
6	Rod end 5/8-18 (RH thr.)	OM10096	2

Front top control arm



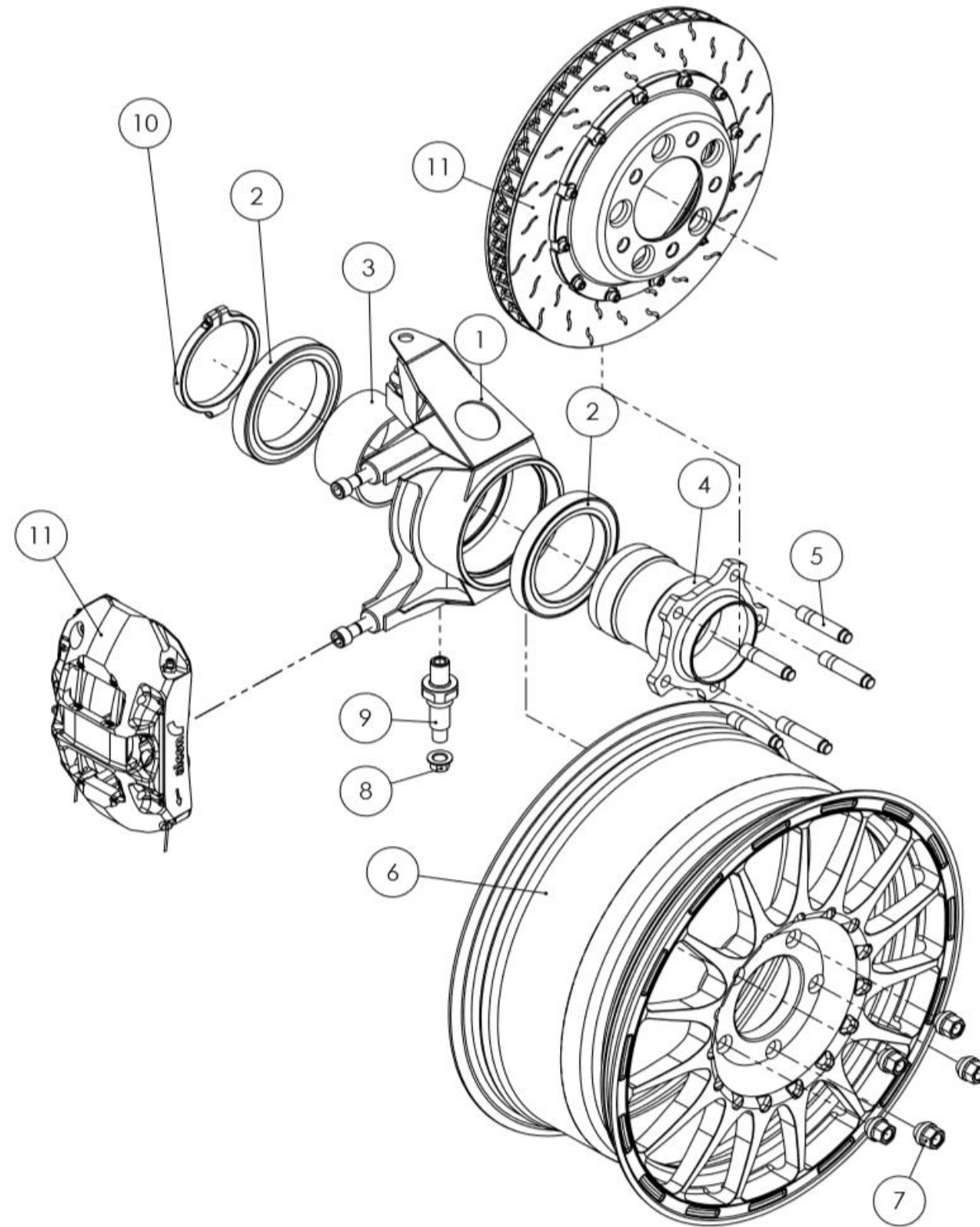
ITEM NO.	DESCRIPTION	PART NUMBER	Q
1	Front left top control arm (Updated)	OM10098	1
1	Front right top control arm (Updated)	OM10098	1
2	Front top control arm spacer	OM10100	1
3	Front top arm uniball	OM10101	1
4	Uniball circlip	OM10102	1
5	M24x1.5 lock nut (LH thr.)	OM10103	2
6	Insert M24x1.5 (LH thr.)	OM10104	2
7	Lock nut 5/8-18 Right	OM10094	2
8	Rod end spacer	OM10095	4
9	Rod end 5/8-18 (RH thr.)	OM10096	2

Steering rod 2014 - 2017



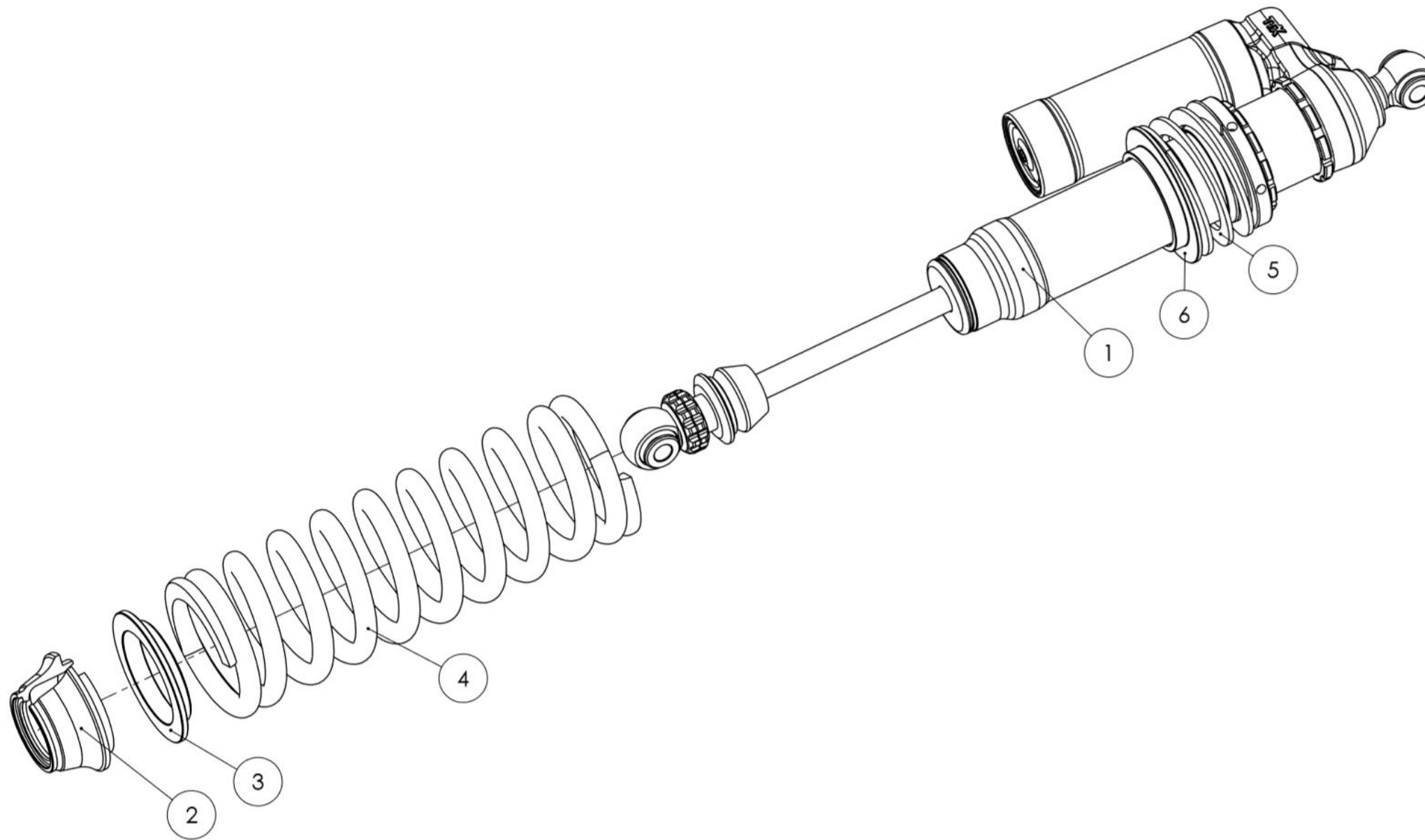
ITEM NO.	DESCRIPTION	PART NUMBER	Q
1	Steering rod	OM10126	1
2	Steering arm spacer	OM10127	1
3	Rod end	OM10129	1
4	Toe arm boot	OM10131	1
5	Lock nut 5/8-18 (RH thr.)	OM10094	1

Front wheel upright assembly parts



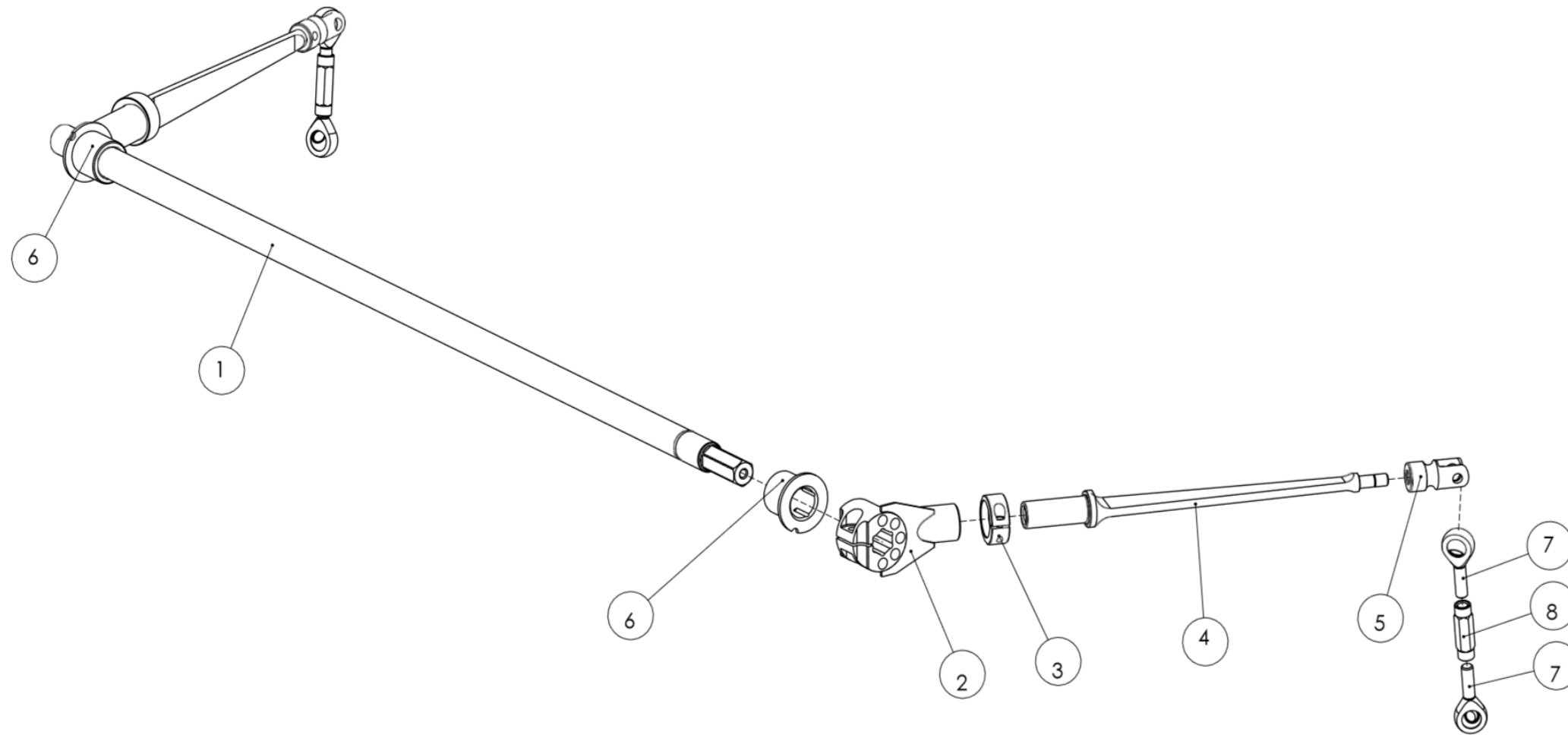
ITEM NO.	DESCRIPTION	PART NUMBER	Q
1	Front left side upright	OM10109	1
1	Front right side upright	OM10110	1
2	Wheel bearing	OM10111	2
3	Front bearing spacer	OM10112	1
4	Front hub (2014)	OM10113	1
5	Wheel stud	OM10114	5
6	Rim	OM10115	1
7	Conical rim nut	OM10116	5
8	Kingpin nut	OM10117	1
9	Front kingpin 14 mm	OM10118SH	1
9	Front kingpin 20 mm	OM10118LO	1
10	Hub lock nut	OM10119	1
11	Front brake system	OM10312	1

Front damper



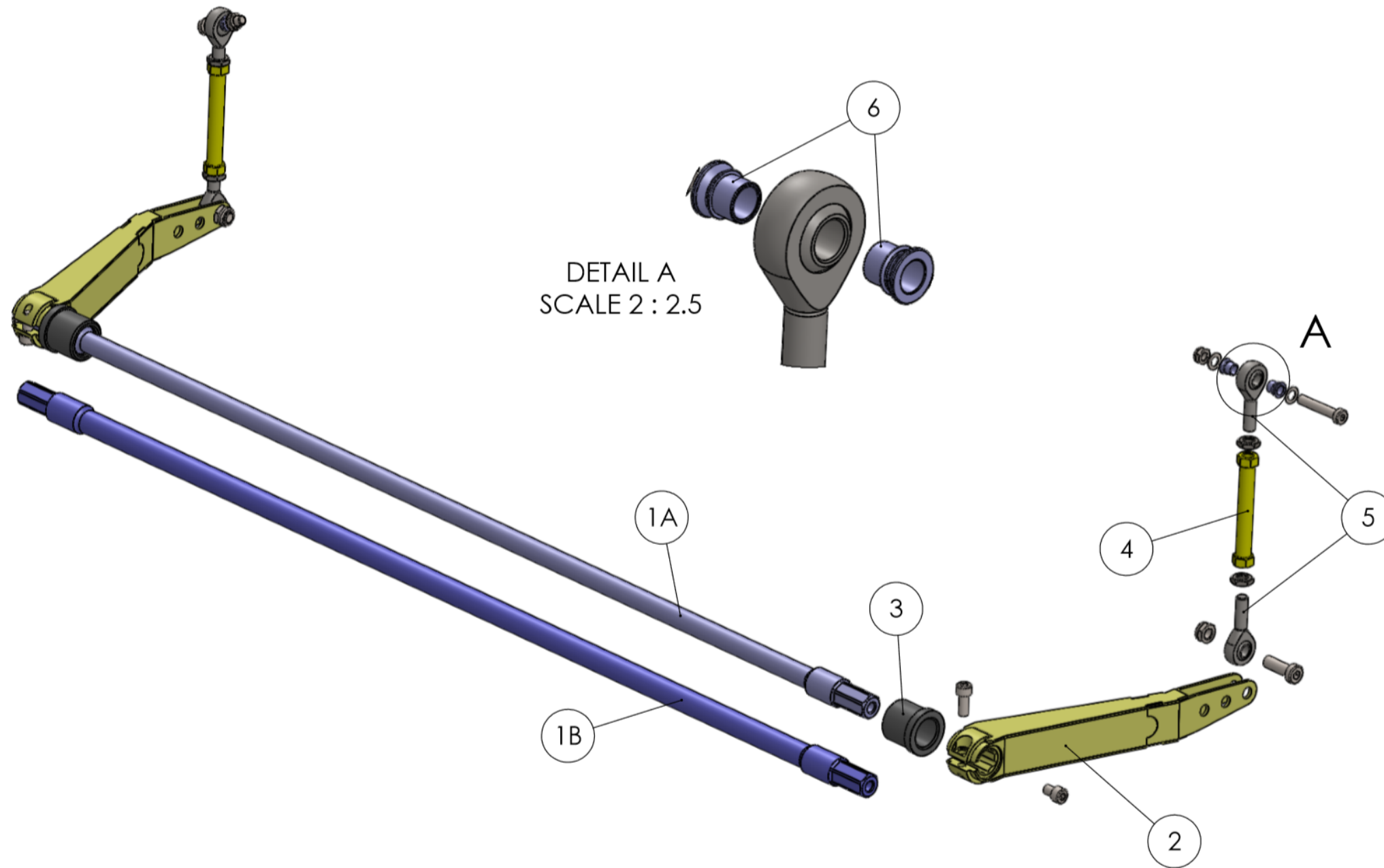
ITEM NO.	DESCRIPTION	PART NUMBER	Q
1	Front damper	OM10074	1
2	Front damper spring seat	OM10075	1
3	Front damper spring seat washer	OM10076	1
4	Front damper spring	OM10077	1
5	Front damper helper spring	OM10078	1
6	Springs spacer ring	OM10079	1

Front antiroll bar parts (2014 system)



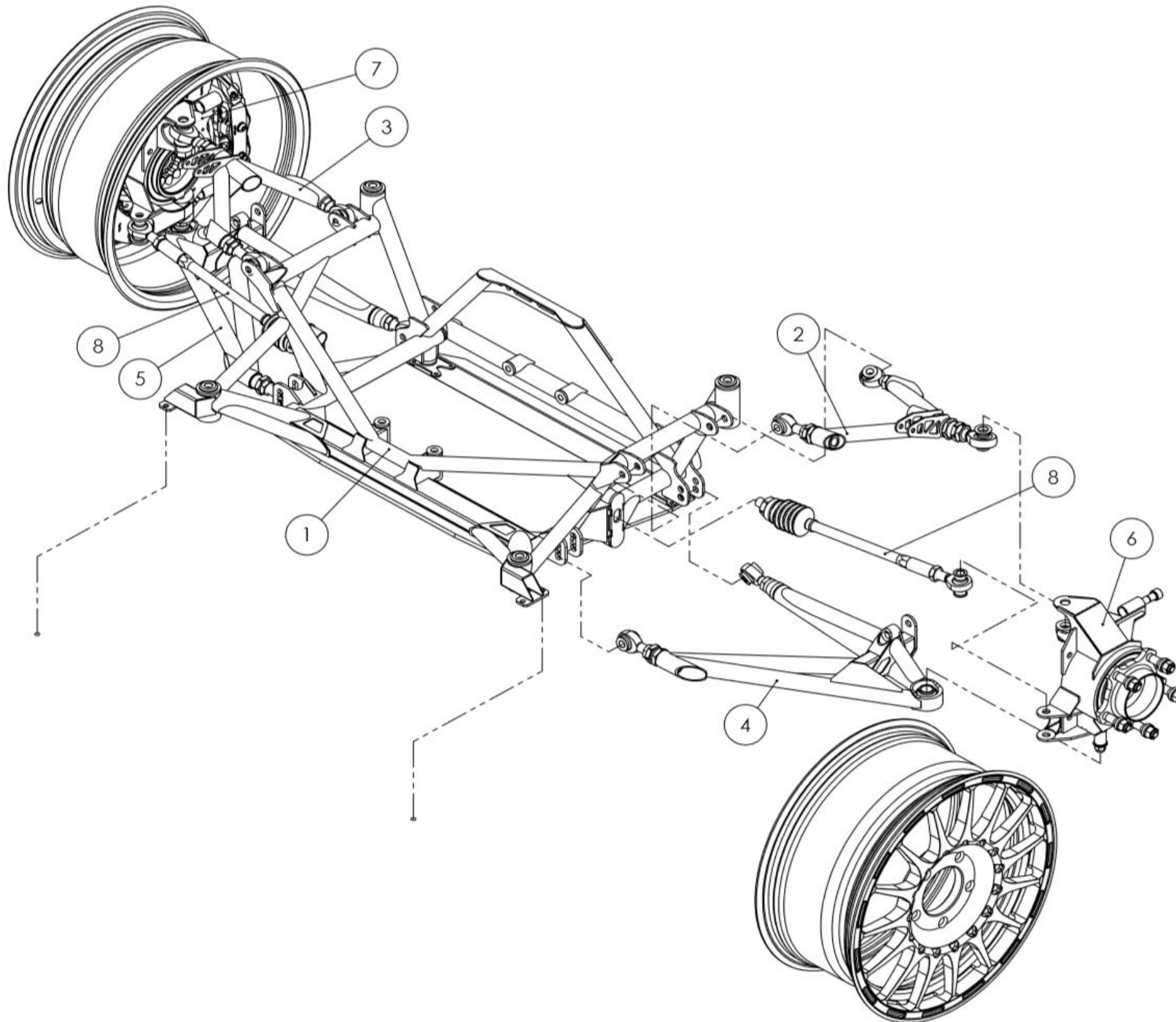
ITEM NO.	DESCRIPTION	PART NUMBER	Q
1	Front anti-roll bar	OM10065	1
2	Front anti-roll bar lock end	OM10066	1
3	Anti-roll bar blade clamp	OM10067	2
4	Front anti-roll bar blade	OM10068	2
5	Anti-roll bar blade end	OM10069	2
6	Front anti-roll bar bushing	OM10070	2
7	Rod end	OM10071	4
8	Rod	OM10072	2

Front antiroll bar parts (2017 system)



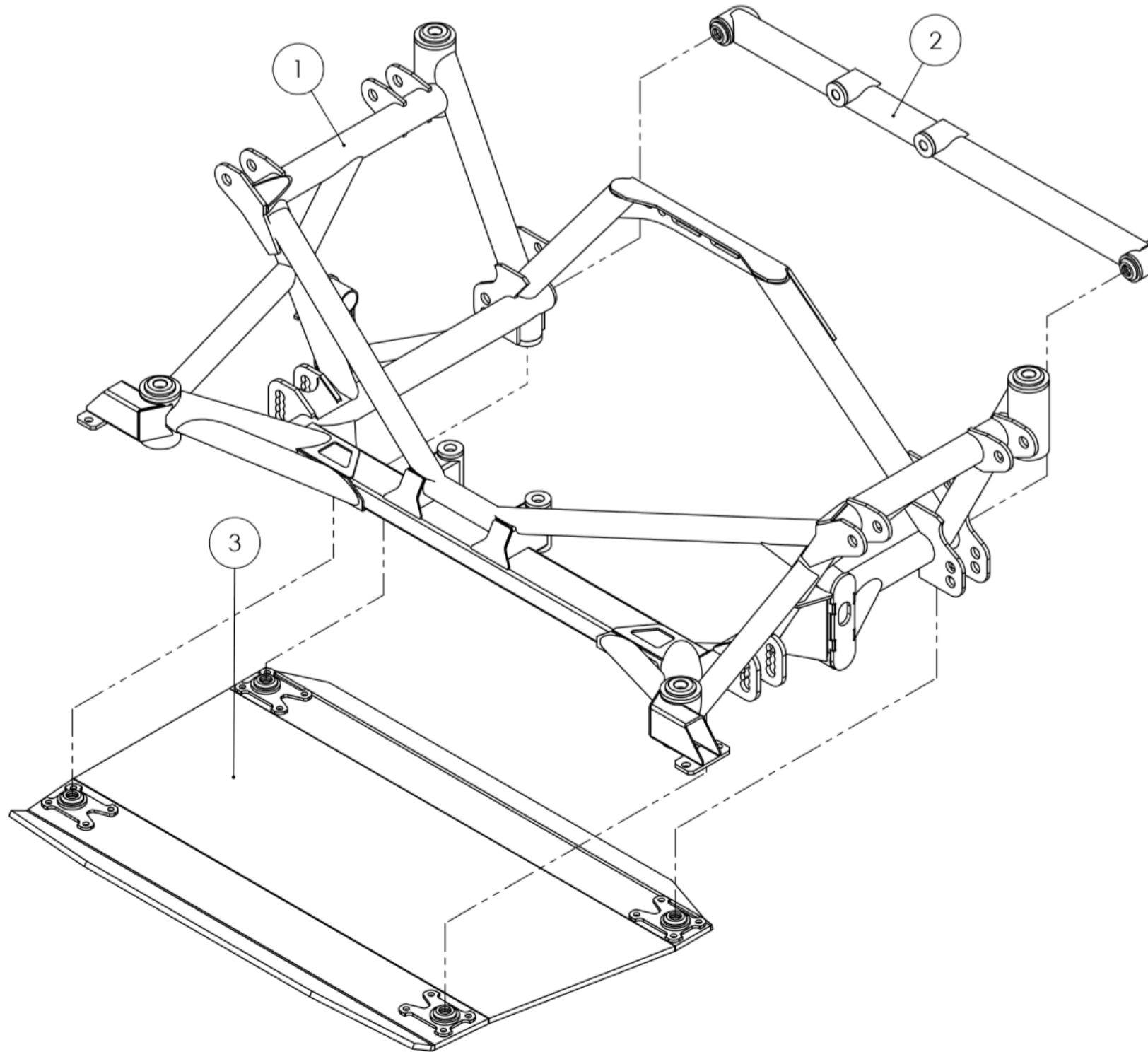
ITEM NO.	DESCRIPTION	PART NUMBER	Q
1A	Front anti-roll bar (17.5 mm)	OM50065	1
1B	Front anti-roll bar (20 mm)	OM50066	1
2	Front anti-roll arm	OM50067	2
3	Plastic bushing	OM50068	2
4	Front anti-roll rod	OM50069	2
5	Rod end	OM50070	4
6	Rod end spacer	OM50071	4

Rear suspension assemblies



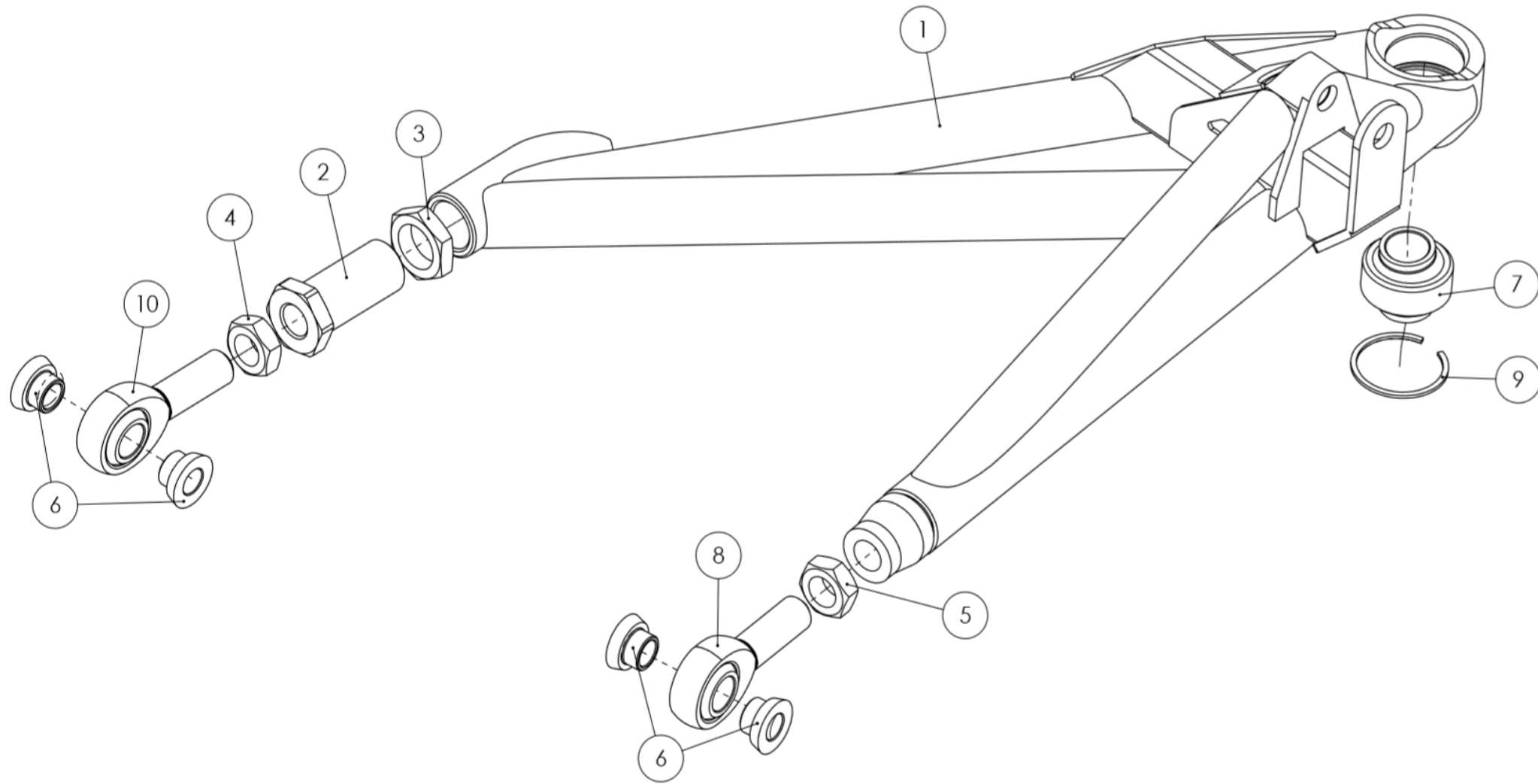
ITEM NO.	DESCRIPTION	PART NUMBER	Q
1	Rear sub-frame	OM10133	1
2	Rear left top control arm ass.	OM10136L	1
3	Rear right top control arm ass.	OM10136R	1
4	Rear left lower control arm ass.	OM10151L	1
5	Rear right lower control arm ass.	OM10151R	1
6	Rear left upright ass.	OM10163L	1
7	Rear right upright ass.	OM10163R	1
8	Rear toe rod ass.	OM10175	2

Rear sub-frame assembly



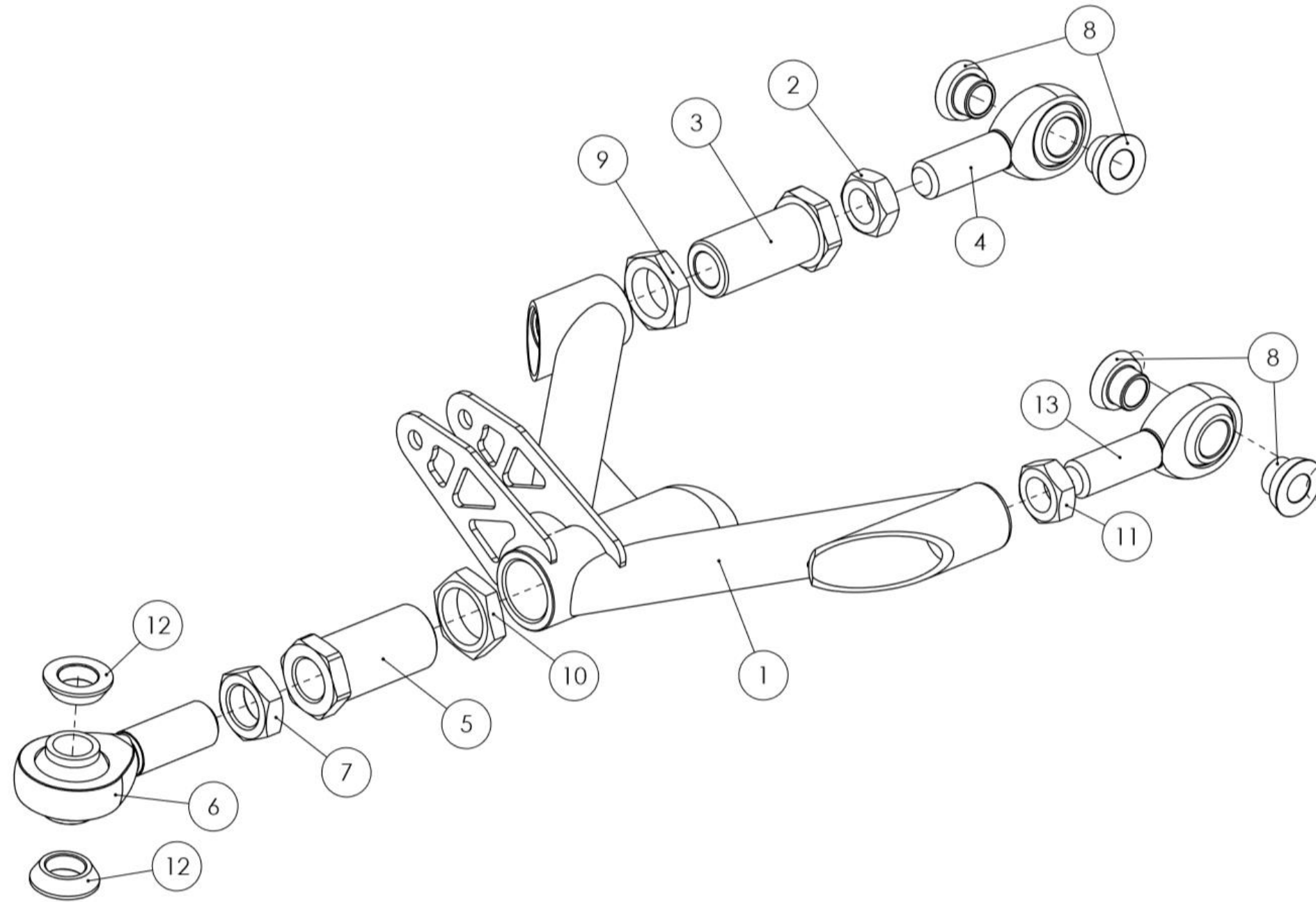
ITEM NO.	DESCRIPTION	PART NUMBER	Q
1	Rear sub-frame	OM10133	1
2	Rear diff. support bar	OM10134	1
3	Rear skid plate	OM10135	1

Rear lower control arm



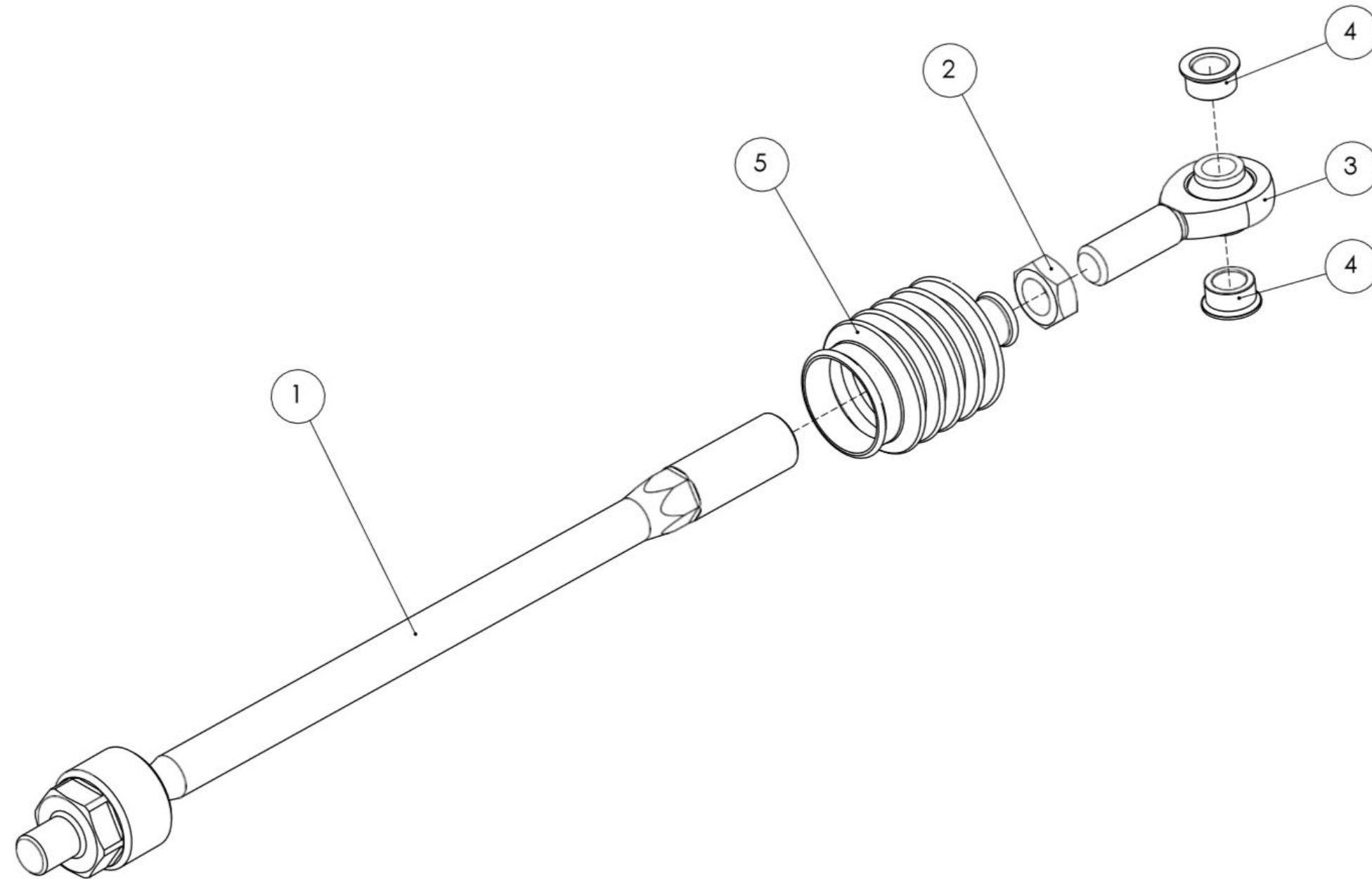
ITEM NO.	DESCRIPTION	PART NUMBER	Q
1	Rear left lower control arm	OM10152	1
1	Rear right lower control arm	OM10153	1
2	Insert M24 (RH thr.)	OM10142	1
3	M24 lock nut (RH thr.)	OM10143	1
4	Lock nut 5/8-18 (LH thr.)	OM10140	1
5	Lock nut 5/8-18 (RH thr.)	OM10094	1
6	Rod end spacer	OM10095	4
7	Lower arm uniball	OM10092	1
8	Rod end 5/8-18 (RH thr.)	OM10096	1
9	Uniball circlip	OM10093	1
10	Rod End 5/8-10 (LH thr.)	OM10144	1

Rear top control arm



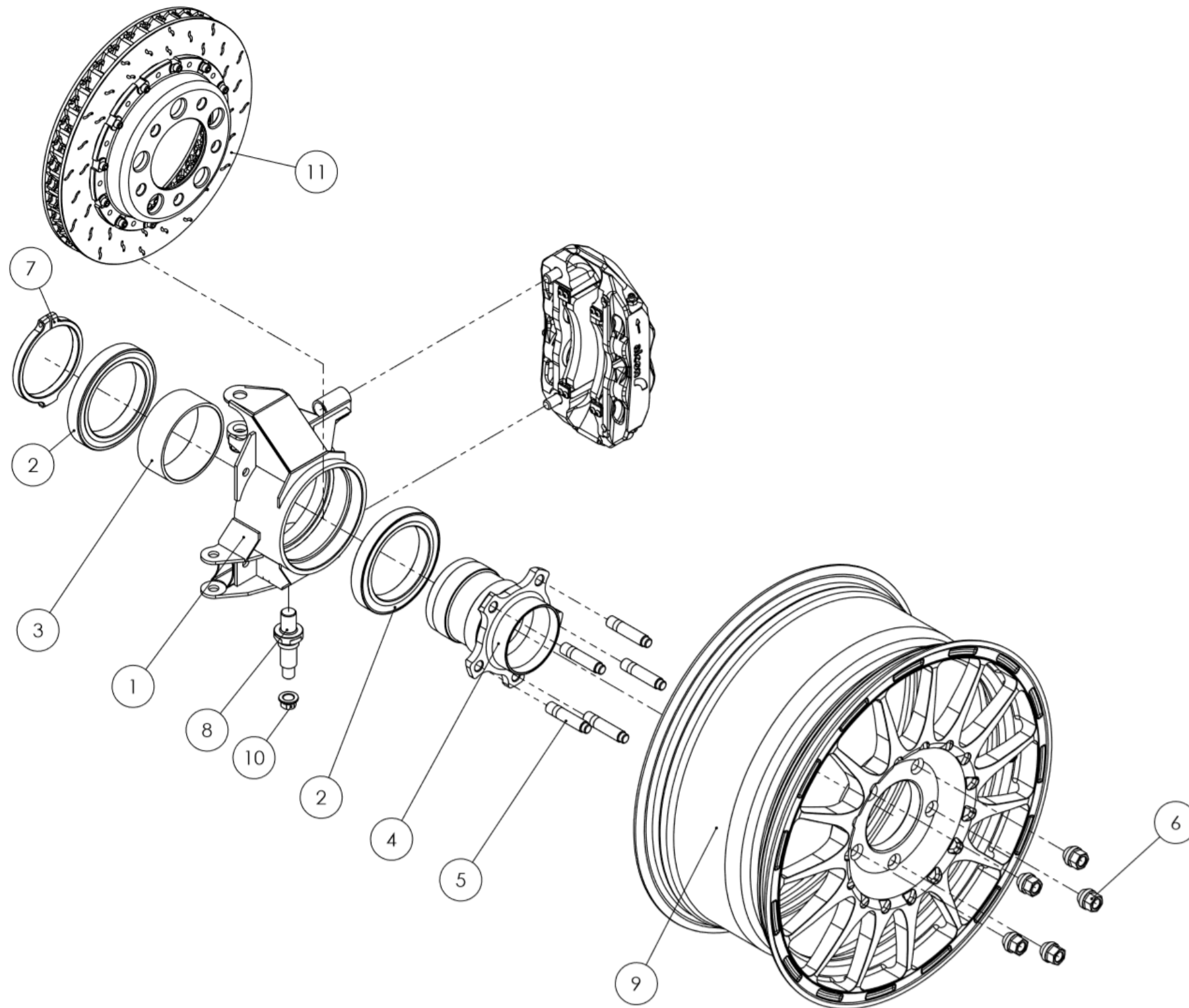
ITEM NO.	DESCRIPTION	PART NUMBER	Q
1	Rear left top control arm (Updated)	OM10137	1
1	Rear right top control arm (Updated)	OM10138	1
2	Lock nut 5/8-18 (LH thr.)	OM10140	1
3	Insert M24 (RH thr.)	OM10142	1
4	Rod end 5/8-18 (LH thr.)	OM10144	1
5	Insert M27 (RH thr.)	OM10146	1
6	Rod end 3/4-16 (LH thr.)	OM10148	1
7	Lock nut 3/4-16 (LH thr.)	OM10149	1
8	Rod end spacer	OM10095	4
9	M24 lock nut (RH thr.)	OM10143	1
10	M27 lock nut (RH thr.)	OM10147	1
11	Lock nut 5/8-18 (RH thr.)	OM10094	1
12	Outer uniball spacer	OM10132	1
13	Rod end 5/8-18 (RH thr.)	OM10096	1

Rear toe rod



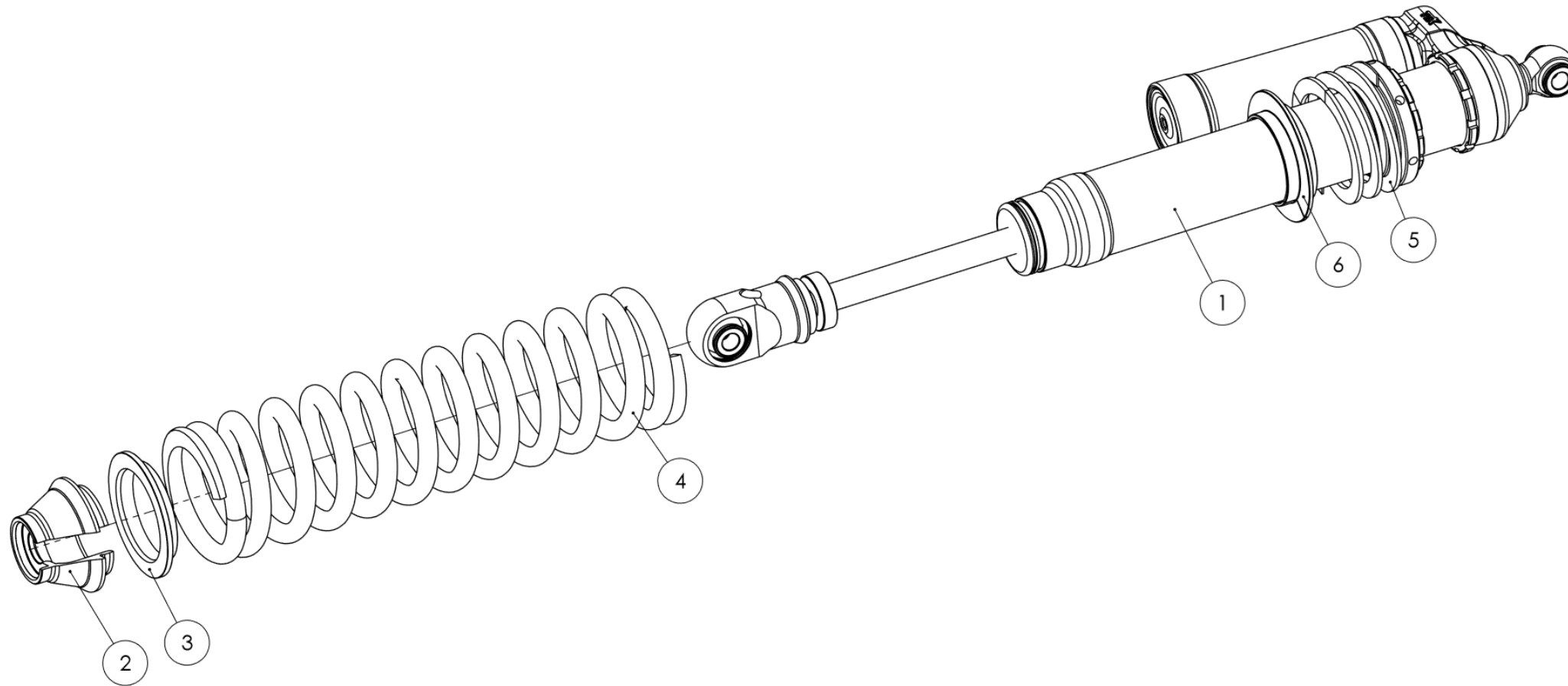
ITEM NO.	DESCRIPTION	PART NUMBER	Q
1	Rear toe rod	OM10176	1
2	Lock nut 5/8-18 (RH thr.)	OM10094	1
3	Rod end	OM10129	1
4	Toe arm rod end spacer	OM10179	2
5	Toe arm boot	OM10180	1

Rear wheel upright assembly parts



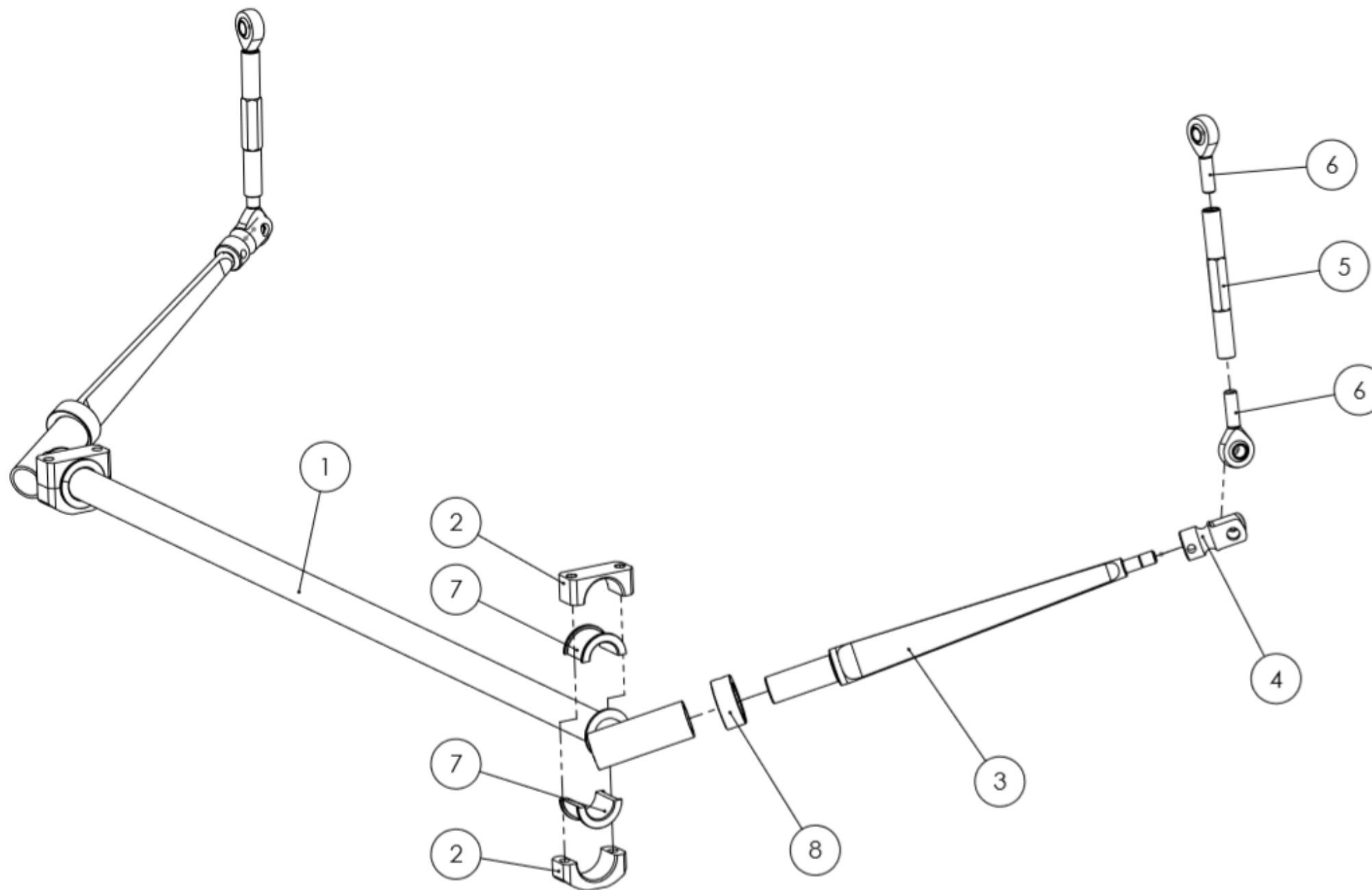
ITEM NO.	DESCRIPTION	PART NUMBER	Q
1	Rear left side upright	OM10164L	1
1	Rear right side upright	OM10164R	1
2	Wheel bearing	OM10111	2
3	Rear bearing spacer	OM10167	1
4	Rear hub	OM10168	1
5	Wheel stud	OM10114	5
6	Wheel nut	OM10116	5
7	Hub locknut	OM10119	1
8	Rear kingpin 23 mm	OM10173	1
9	Rim	OM10115	1
10	Kingpin nut	OM10117	1
11	Rear brake system	OM10312	1

Rear damper



ITEM NO.	DESCRIPTION	PART NUMBER	Q
1	Rear damper	OM10081	1
2	Rear damper spring seat	OM10082	1
3	Rear damper spring seat washer	OM10083	1
4	Rear damper spring	OM10084	1
5	Rear damper helper spring	OM10085	1
6	Springs spacer ring	OM10079	1

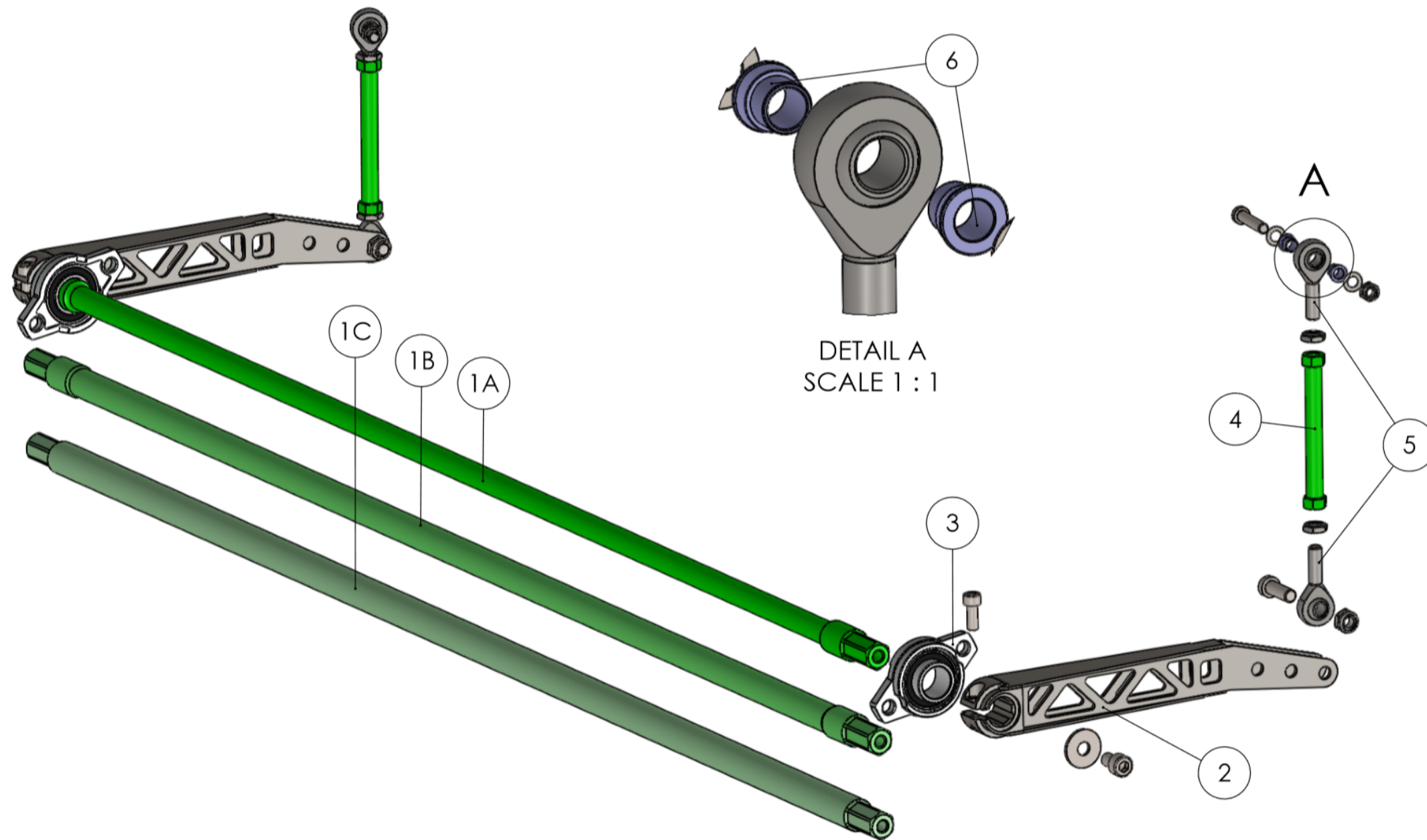
Rear antiroll bar parts (2014 system)



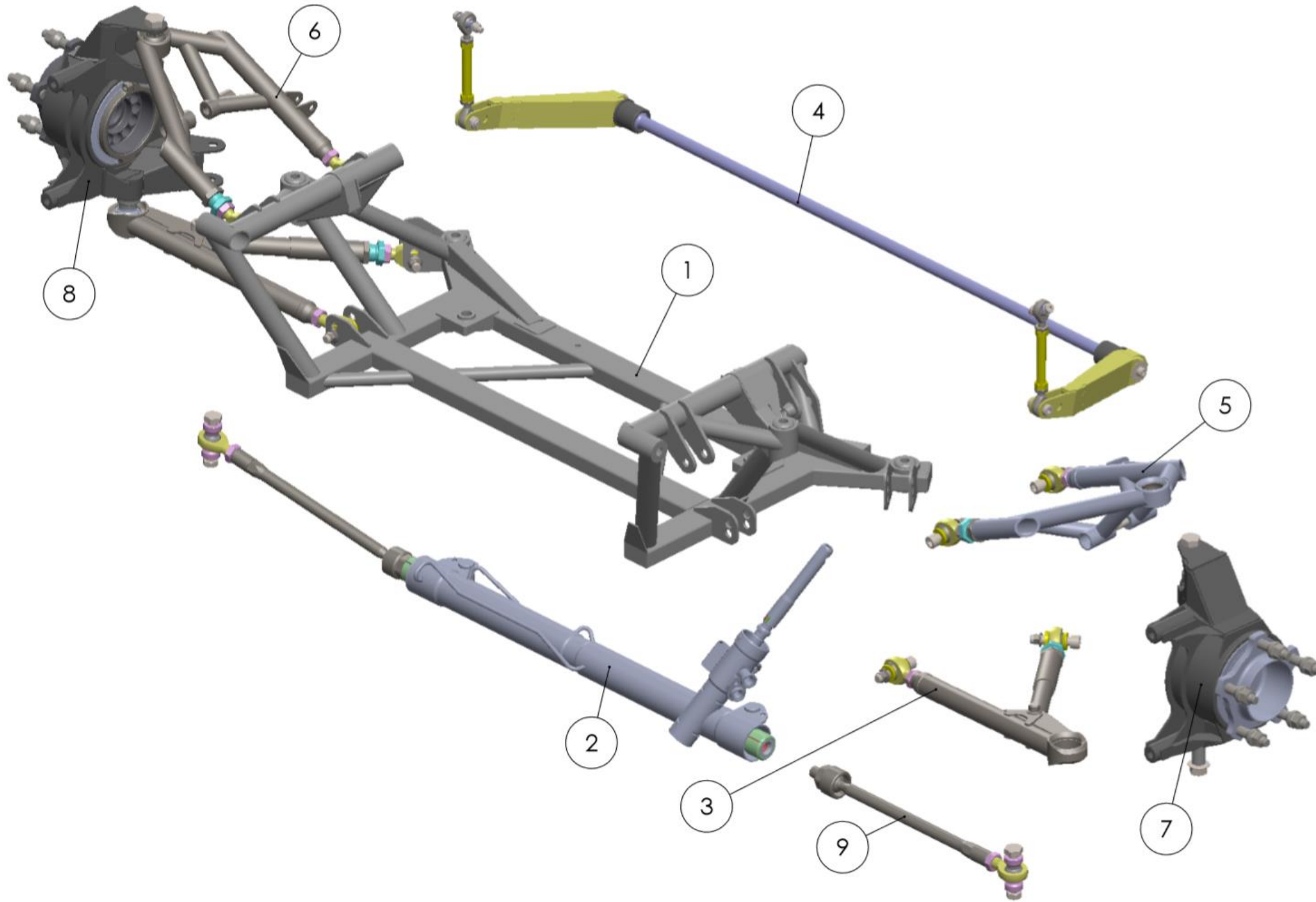
ITEM NO.	DESCRIPTION	PART NUMBER	Q
1	Rear anti-roll bar	OM10182	1
2	Rear anti-roll bar bracket	OM10183	2
3	Rear anti-roll bar blade	OM10184	2
4	Rear anti-roll bar blade end	OM10185	2
5	Rear anti-roll bar rod	OM10186	2
6	Linkage rod end	OM10071	4
7	Bar bushing	OM10188	4
8	Blade clamp	OM10189	2

Rear antiroll bar parts (2017 system)

ITEM NO.	DESCRIPTION	PART NUMBER	Q
1A	Rear anti-roll bar (18 mm)	OM50072	1
1B	Rear anti-roll bar (22 mm)	OM50073	1
1C	Rear anti-roll bar (25 mm)	OM50074	1
2	Rear anti-roll arm	OM50075	2
3	Bearing	OM50076	2
4	Rear anti-roll rod	OM50077	2
5	RODOBAL_RM 10 SE	OM50070	4
6	Rod end spacer DRH 10.8	OM50071	4

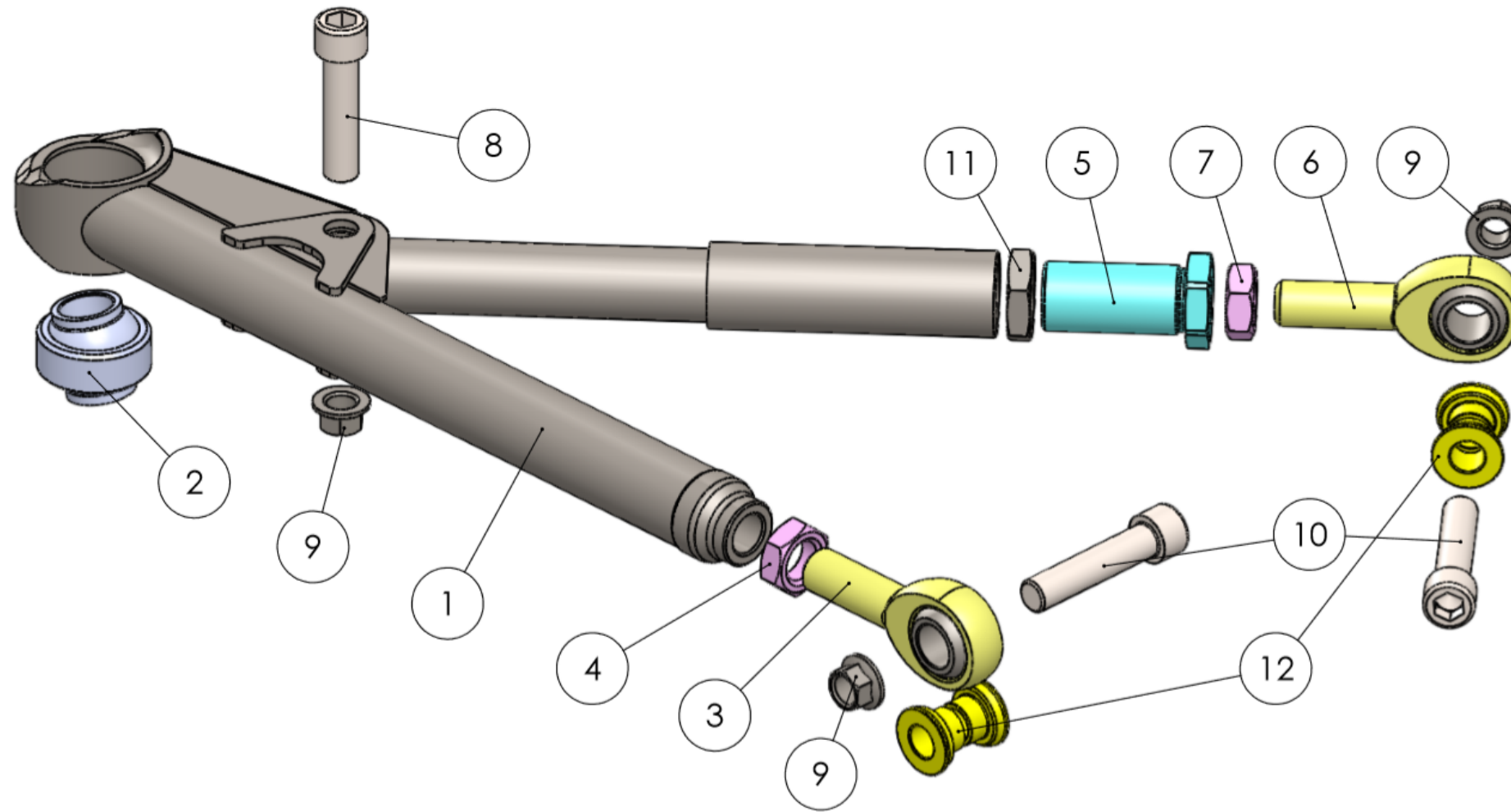


Front suspension assemblies 2019



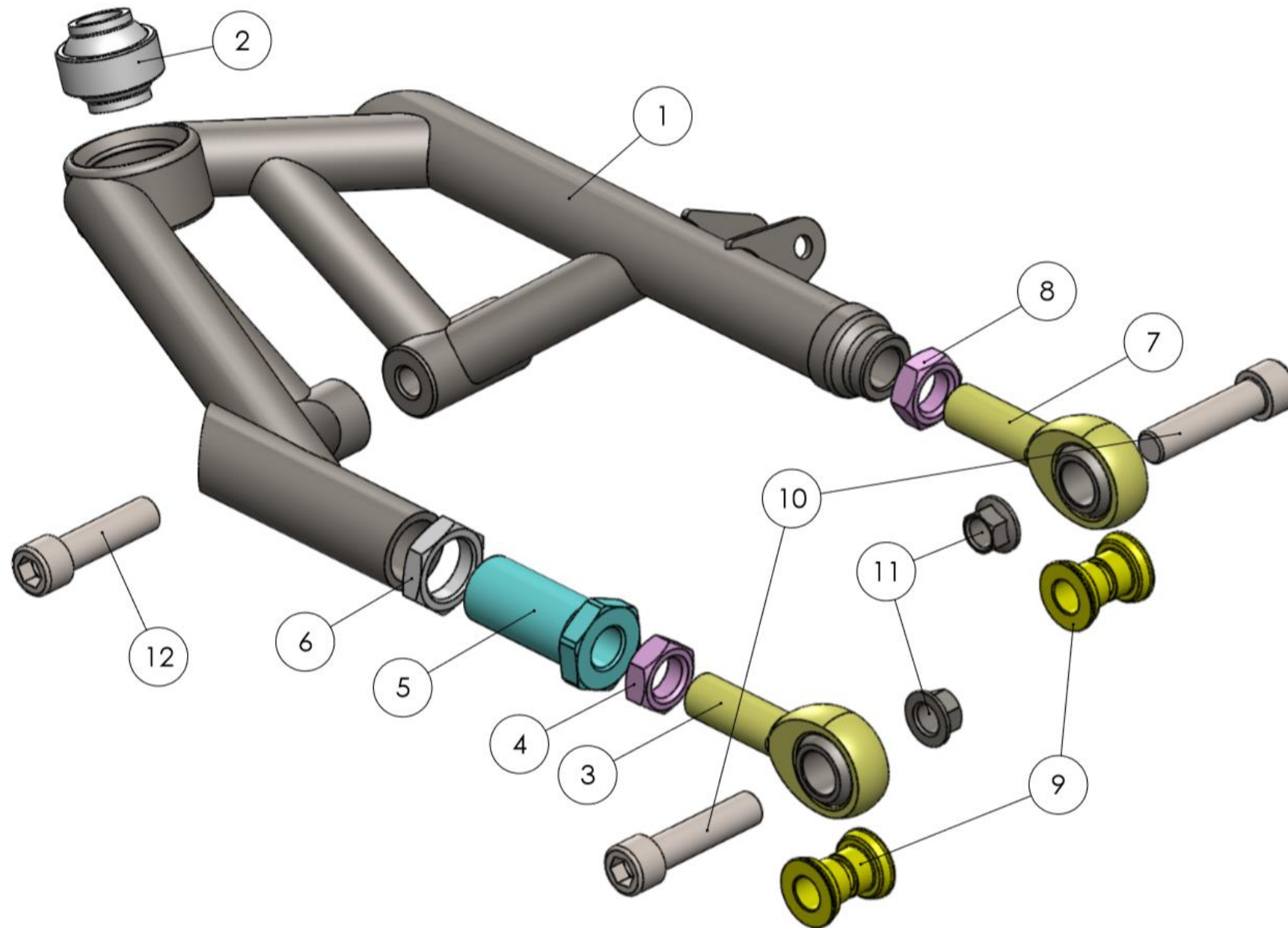
ITEM NO.	DESCRIPTION	PART NUMBER	Q
1	Front sub-frame (Updated)	OM13088	1
2	Steering rack (2017 spec.)	OM10120	1
3	Front lower control arm ass. Left(New)	OM13089 L	1
3	Front lower control arm ass. Right (new)	OM13089 R	1
4	Front antiroll bar ass. (Updated)	OM13100	1
5	Front left top control arm ass. (New)	OM13098L	1
6	Front right top control arm ass. (New)	OM13098R	1
7	Front left upright ass. (Updated)	OM13108L	1
8	Front right upright ass. (Updated)	OM13108R	1
9	Front steering rod ass. (Updated)	OM13125	2

Front lower control arm 2019



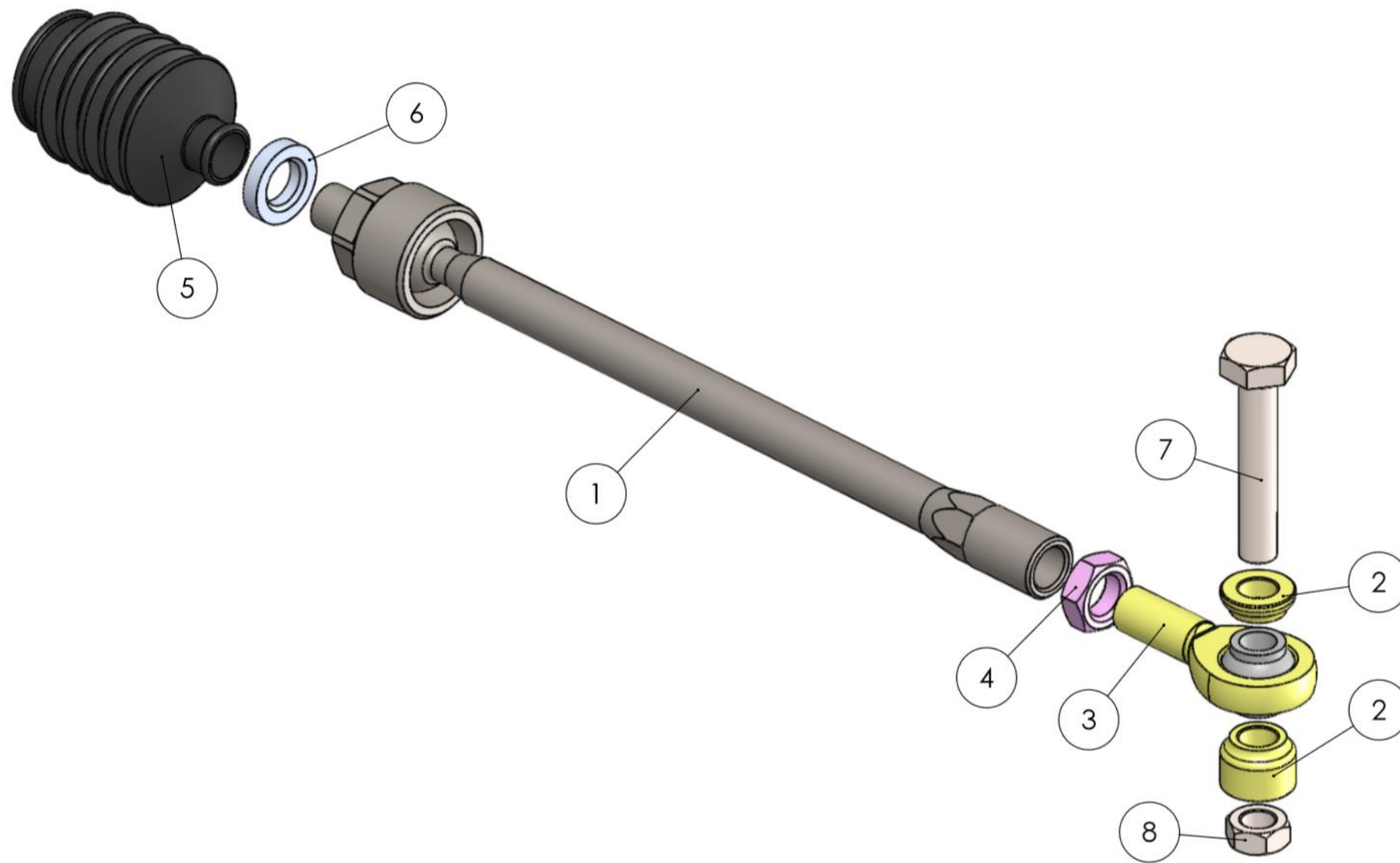
ITEM NO.	DESCRIPTION	PART NUMBER	Q
1	Front left lower control arm (New)	OM13090 L	1
1	Front right lower control arm (New)	OM13090R	1
2	Lower arm outside joint	OM10092	1
3	Rod end 5/8-18 (RH thr.)	OM10104	1
4	Lock nut 5/8-18 (RH thr.)	OM10094	1
5	Insert M24x1.5 (RH thr.)	OM10142	1
6	Rod End 5/8-10 (LH thr.)	OM10144	1
7	Lock nut 5/8-18 (LH thr.)	OM10140	1
8	M12x1.5xL50 bolt		1
9	K-nut 12x1.5		3
10	M12x1.5xL55 bolt		2
11	Lock nut M24x1.5 (RH thr.)	OM10143	1
12	Rod end spacer	OM10095	4

Front top control arm 2019



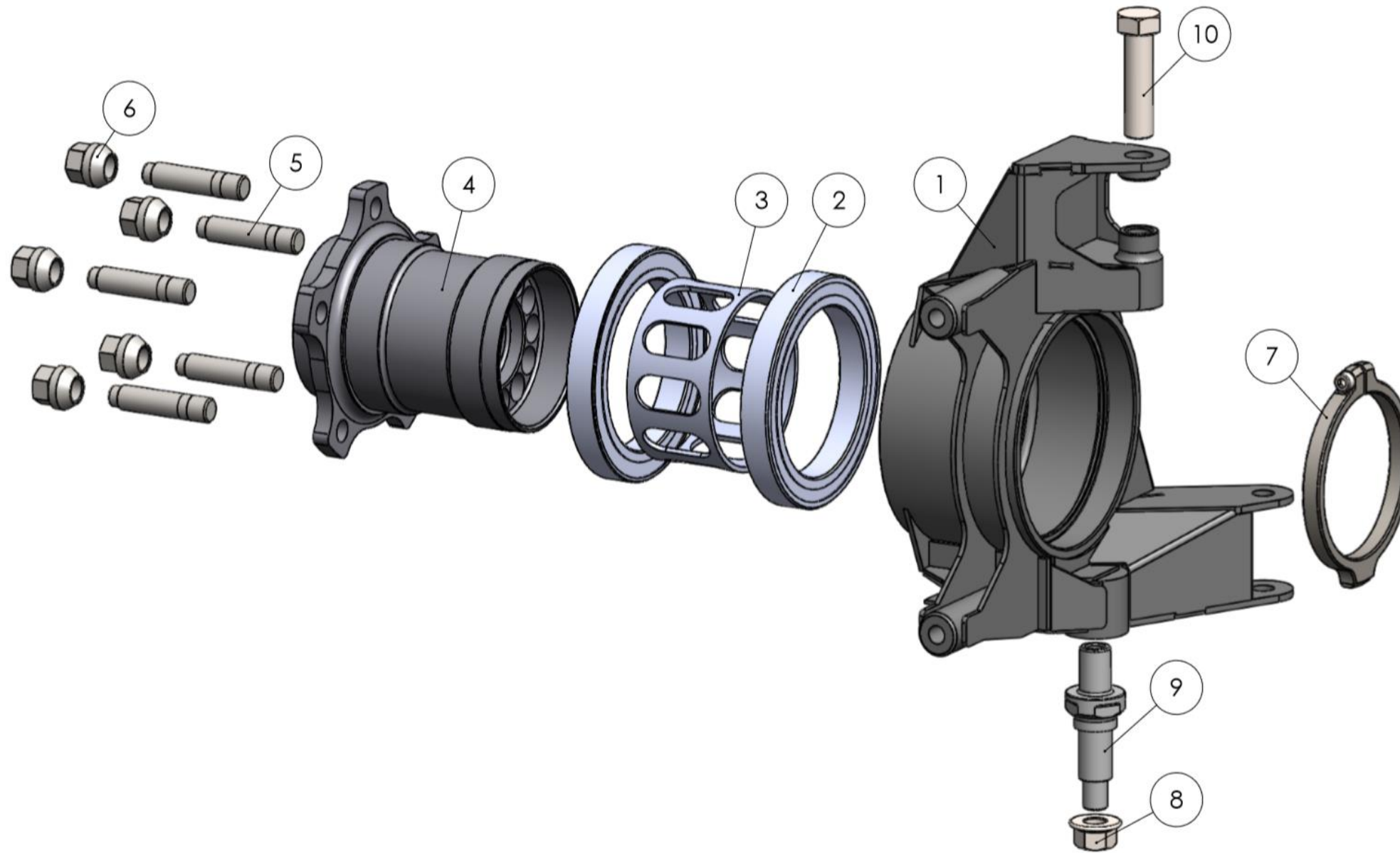
ITEM NO.	DESCRIPTION	PART NUMBER	Q
1	Front right top lower control arm (New)	OM13099R	1
1	Front left top lower control arm (New)	OM13099L	1
2	Top arm outside joint	OM10100	1
3	Rod End 5/8-10 (LH thr.)	OM10144	1
4	Lock nut 5/8-18 (LH thr.)	OM10140	1
5	Insert M24x1.5 (RH thr.)	OM10142	1
6	Lock nut M24x1.5 (RH thr.)	OM10143	1
7	Rod end 5/8-18 (RH thr.)	OM10104	1
8	Lock nut 5/8-18 (RH thr.)	OM10094	1
9	Rod end spacer	OM10095	4
10	M12x1.5xL55 bolt		2
11	Lock nut M12x1.5		2
12	M12x1.5xL50 bolt		1

Steering rod 2019



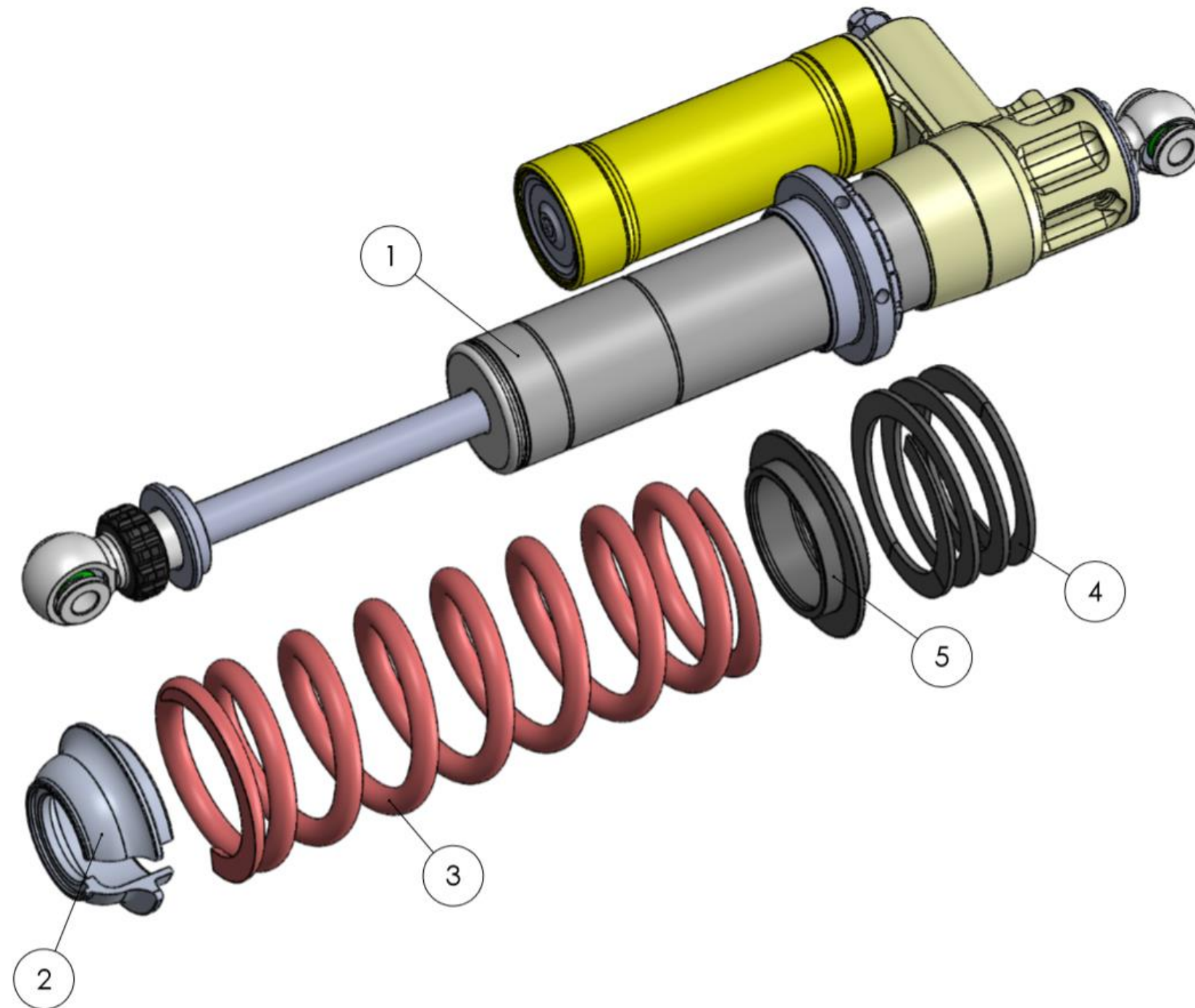
ITEM NO.	DESCRIPTION	PART NUMBER	Q
1	Steering rod (Updated)	OM13126	1
2	Set of steering rod spacer (New)	OM10127	1
3	Rod end	OM10129	1
4	Lock nut 5/8-18 (RH thr.)	OM10094	1
5	Steering rod boot	OM10131	1
6	Inner spacer (6 mm) (New)	OM13444	1
7	Bolt 1/2-20x2.75		1
8	Nut 1/2-20		1

Front wheel upright assembly 2019



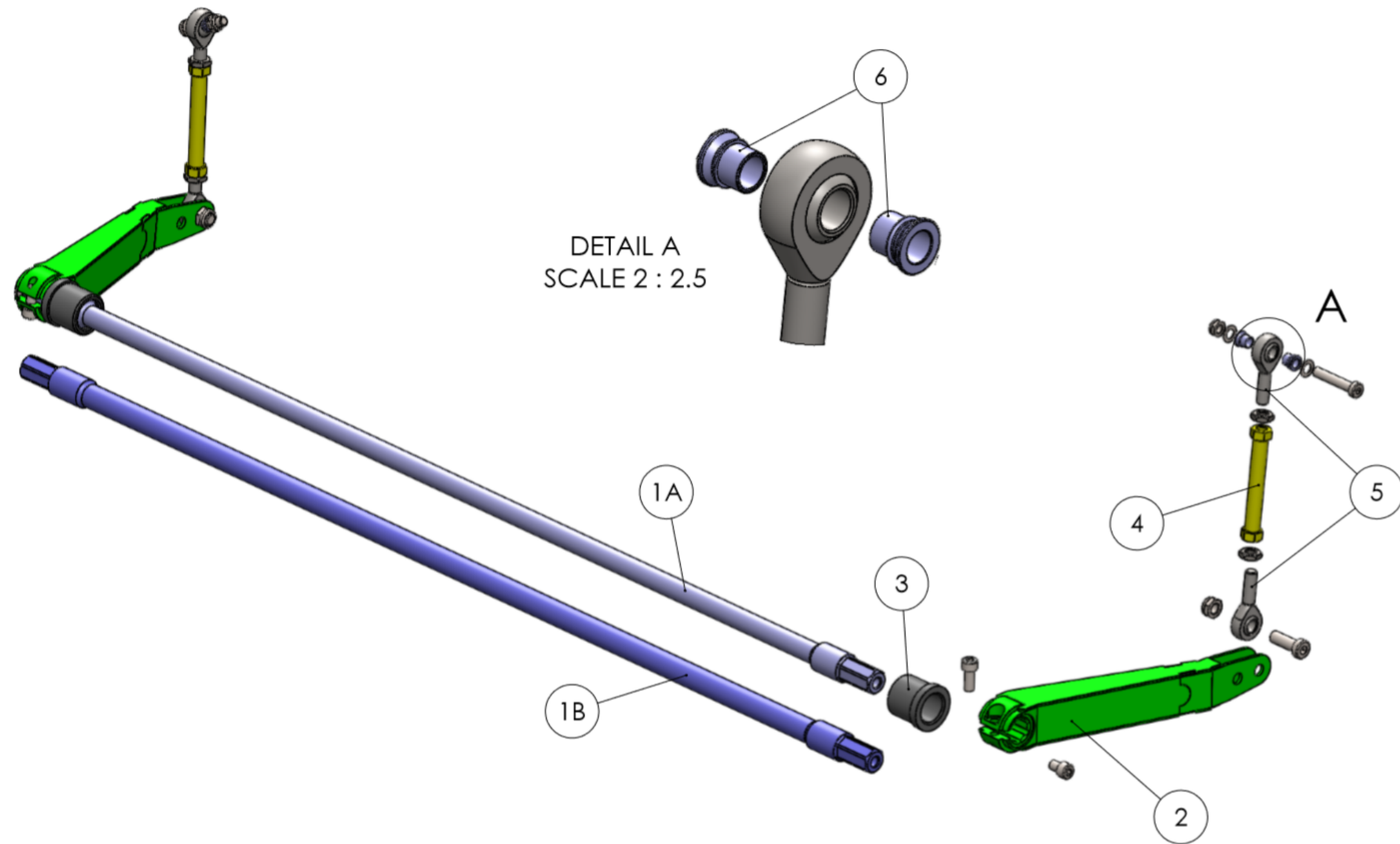
ITEM NO.	DESCRIPTION	PART NUMBER	Q
1	Front left side upright (Updated)	OM13109L	1
1	Front right side upright (Updated)	OM13109R	1
2	Wheel bearing	OM10111	2
3	Front bearing spacer	OM10112	1
4	Front hub	OM10113	1
5	Wheel stud	OM10114	5
6	Conical rim nut	OM10116	5
7	Hub lock nut	OM10119	1
8	Nut M14x1.5		1
9	Front kingpin (20 mm)	OM10118	1
10	Bolt M16x1.5xL60		1

Front damper 2017-2019



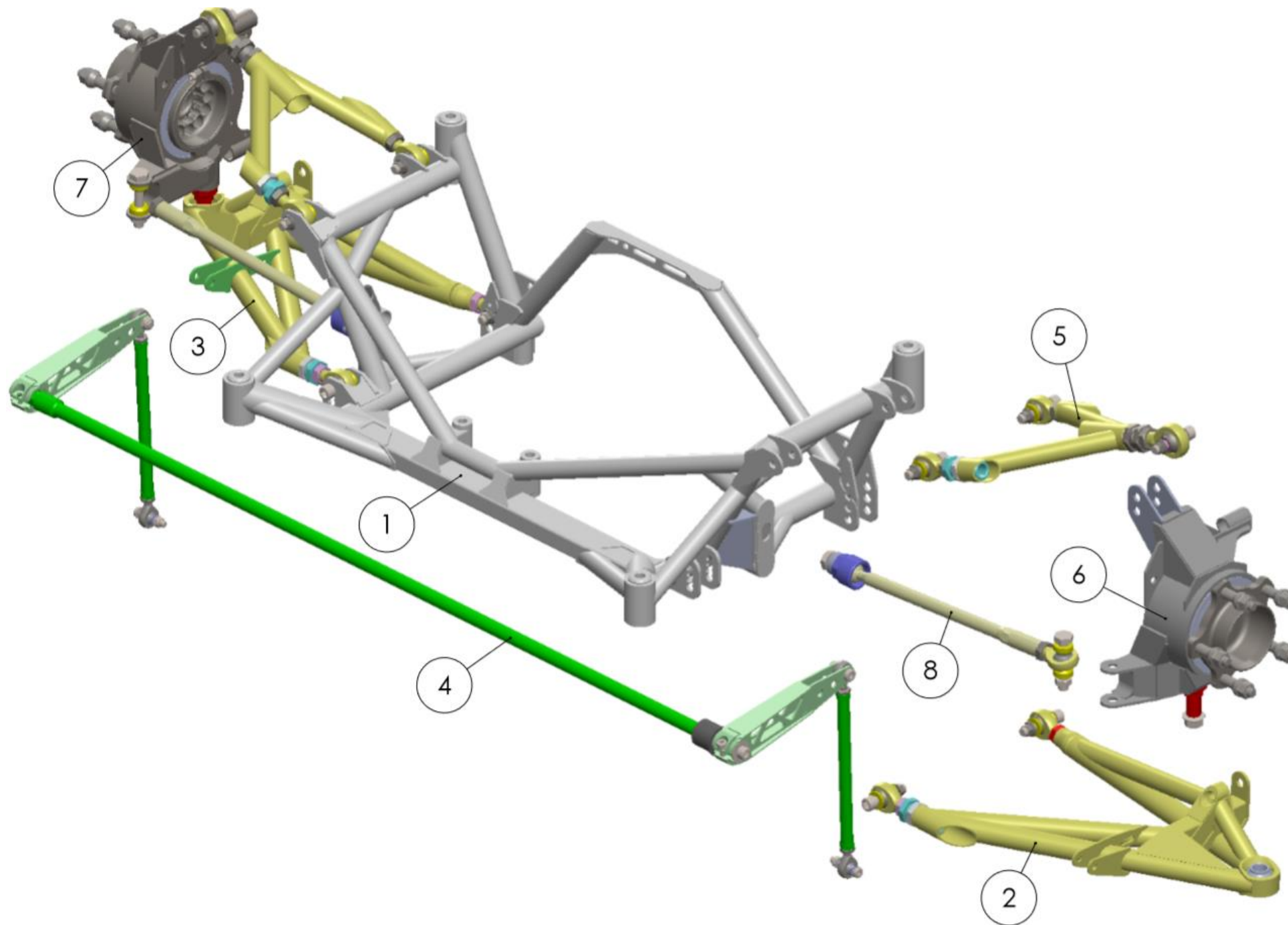
ITEM NO.	DESCRIPTION	PART NUMBER	Q
1	Front damper	OM13074	1
2	Lower spring seat	OM13075	1
3	Front spring	OM13076	1
4	Helper spring	OM10077	1
5	Washer	OM10079	1

Front antiroll bar parts 2019



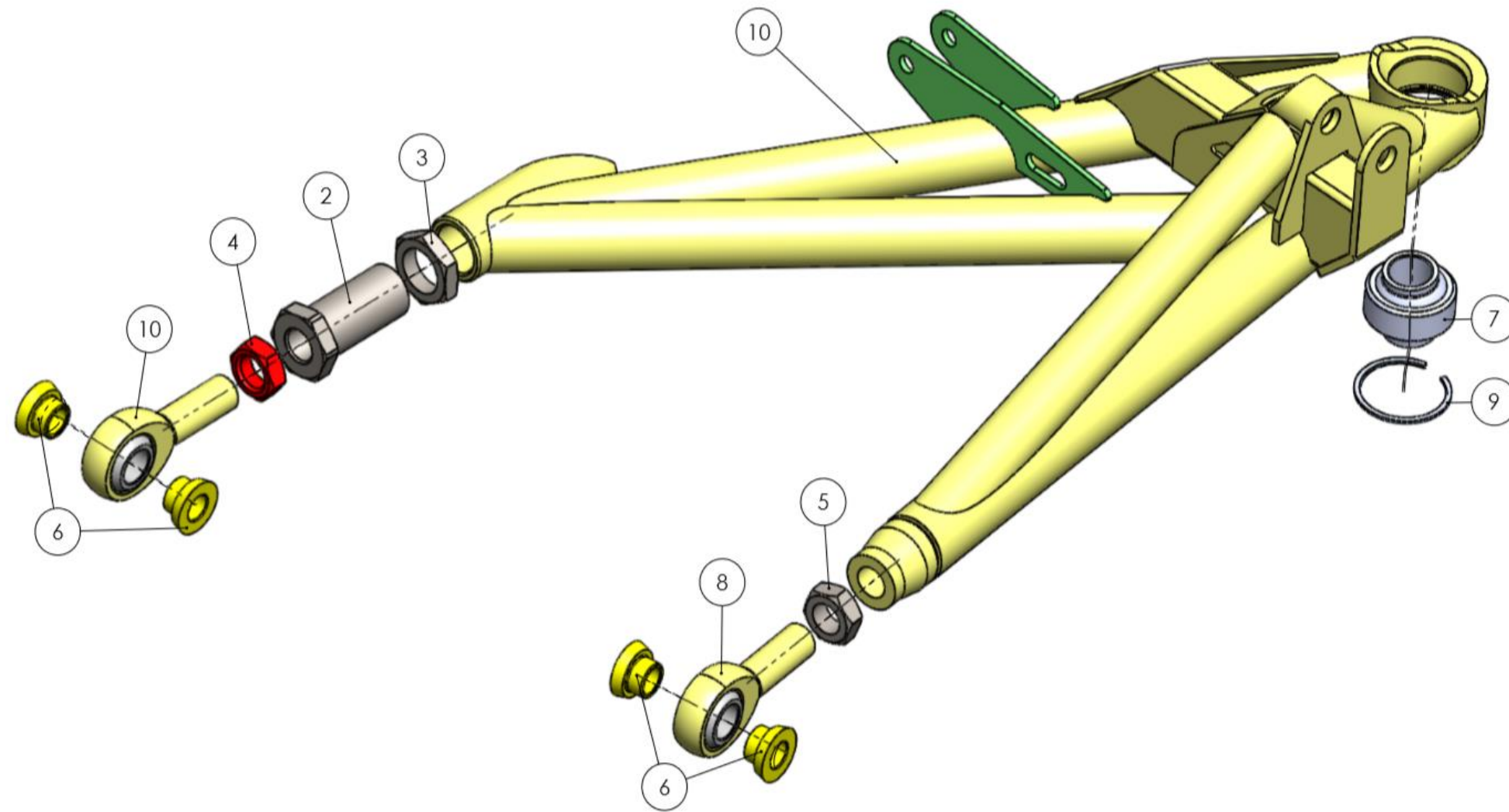
ITEM NO.	DESCRIPTION	PART NUMBER	Q
1A	Front anti-roll bar (17.5 mm)	OM50065	1
1B	Front anti-roll bar (20 mm)	OM50066	1
2	Front anti-roll arm (Updated)	OM50067	2
3	Plastic bushing	OM50068	2
4	Front anti-roll rod	OM50069	2
5	Rod end	OM50070	4
6	Rod end spacer	OM50071	4

Rear suspension assemblies 2019



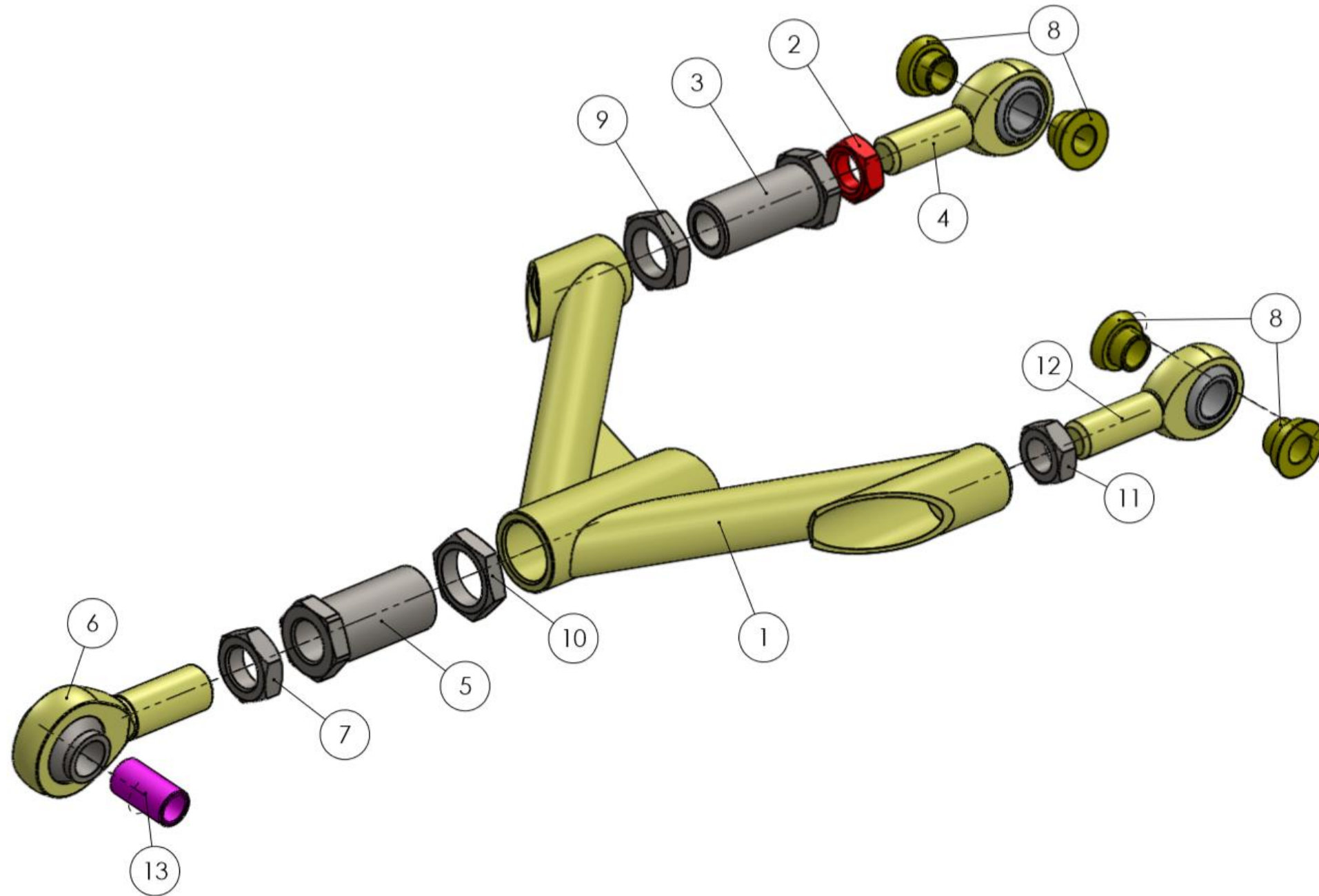
ITEM NO.	DESCRIPTION	PART NUMBER	Q
1	Rear sub-frame (Updated)	OM13133	1
2	Rear left lower control arm ass. (Updated)	OM13151L	1
3	Rear right lower control arm ass. (Updated)	OM13151R	1
4	Rear antiroll bar ass. (New)	OM13872	1
5	Rear top control arm ass. (Updated)	OM13136	2
6	Rear left upright ass. (Updated)	OM13163L	1
7	Rear right upright ass. (Updated)	OM13163R	1
8	Rear toe rod ass.	OM10175	2
9	Front steering rod ass. (Updated)	OM13125	2

Rear lower control arm 2019



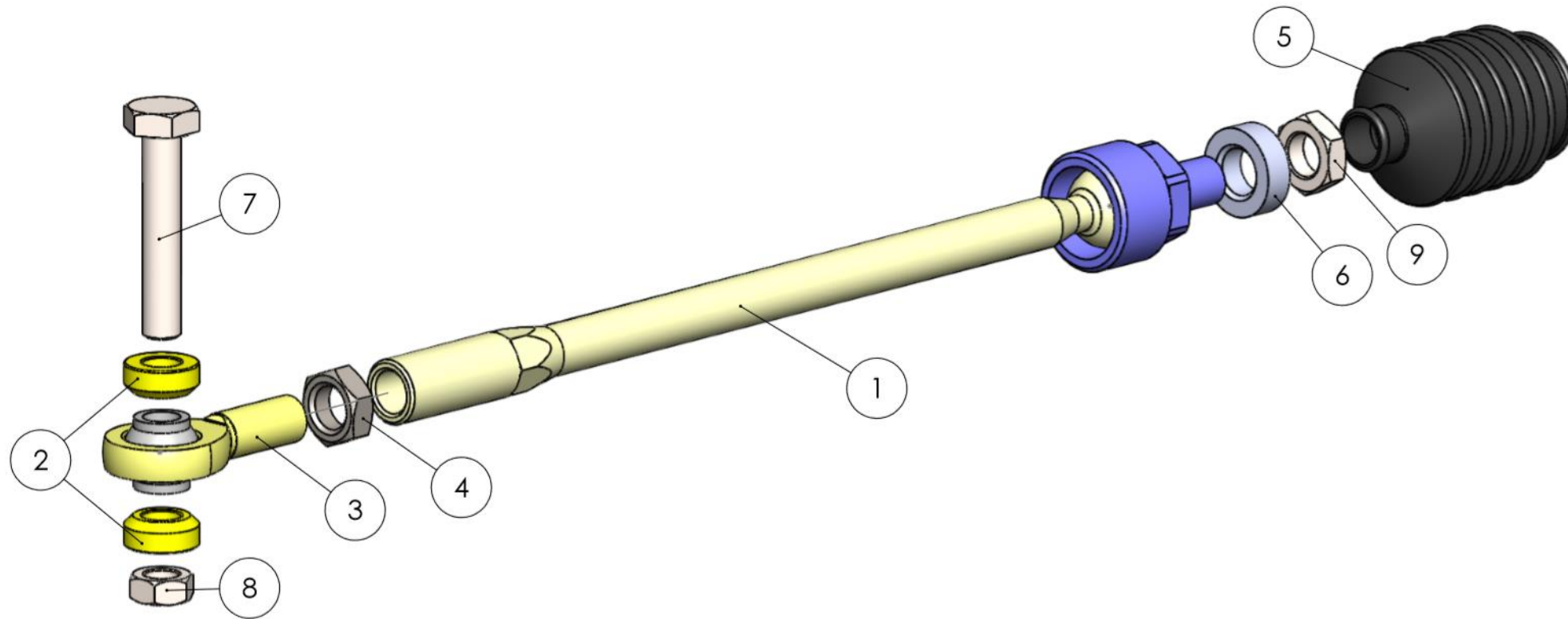
ITEM NO.	DESCRIPTION	PART NUMBER	Q
1	Rear left lower control arm (Updated)	OM13152L	1
1	Rear right lower control arm (Updated)	OM13152R	1
2	Insert M24 (RH thr.)	OM10142	1
3	M24 lock nut (RH thr.)	OM10143	1
4	Lock nut 5/8-18 (LH thr.)	OM10140	1
5	Lock nut 5/8-18 (RH thr.)	OM10094	1
6	Rod end spacer	OM10095	4
7	Lower arm uniball	OM10092	1
8	Rod end 5/8-18 (RH thr.)	OM10096	1
9	Uniball circlip	OM10093	1
10	Rod End 5/8-10 (LH thr.)	OM10144	1

Rear top control arm 2019



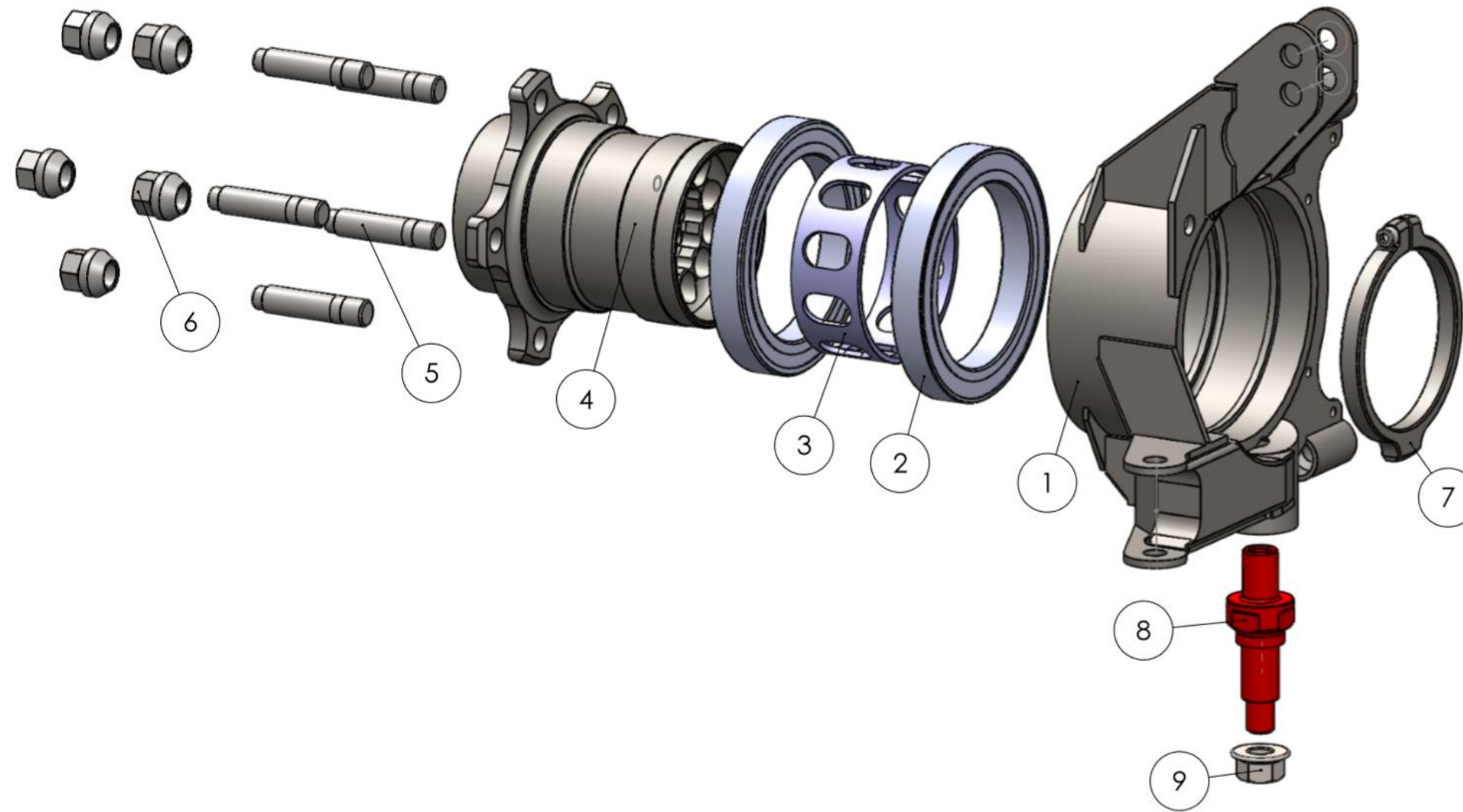
ITEM NO.	DESCRIPTION	PART NUMBER	Q
1	Rear top control arm (Updated)	OM13137	1
2	Lock nut 5/8-18 (LH thr.)	OM10140	1
3	Insert M24 (RH thr.)	OM10142	1
4	Rod end 5/8-18 (LH thr.)	OM10144	1
5	Insert M27 (RH thr.)	OM10146	1
6	Rod end 3/4-16 (LH thr.)	OM10148	1
7	Lock nut 3/4-16 (LH thr.)	OM10149	1
8	Rod end spacer	OM10095	4
9	M24 lock nut (RH thr.)	OM10143	1
10	M27 lock nut (RH thr.)	OM10147	1
11	Lock nut 5/8-18 (RH thr.)	OM10094	1
12	Rod end 5/8-18 (RH thr.)	OM10096	1
13	Insert (New)	OM13010	1

Rear toe rod 2019



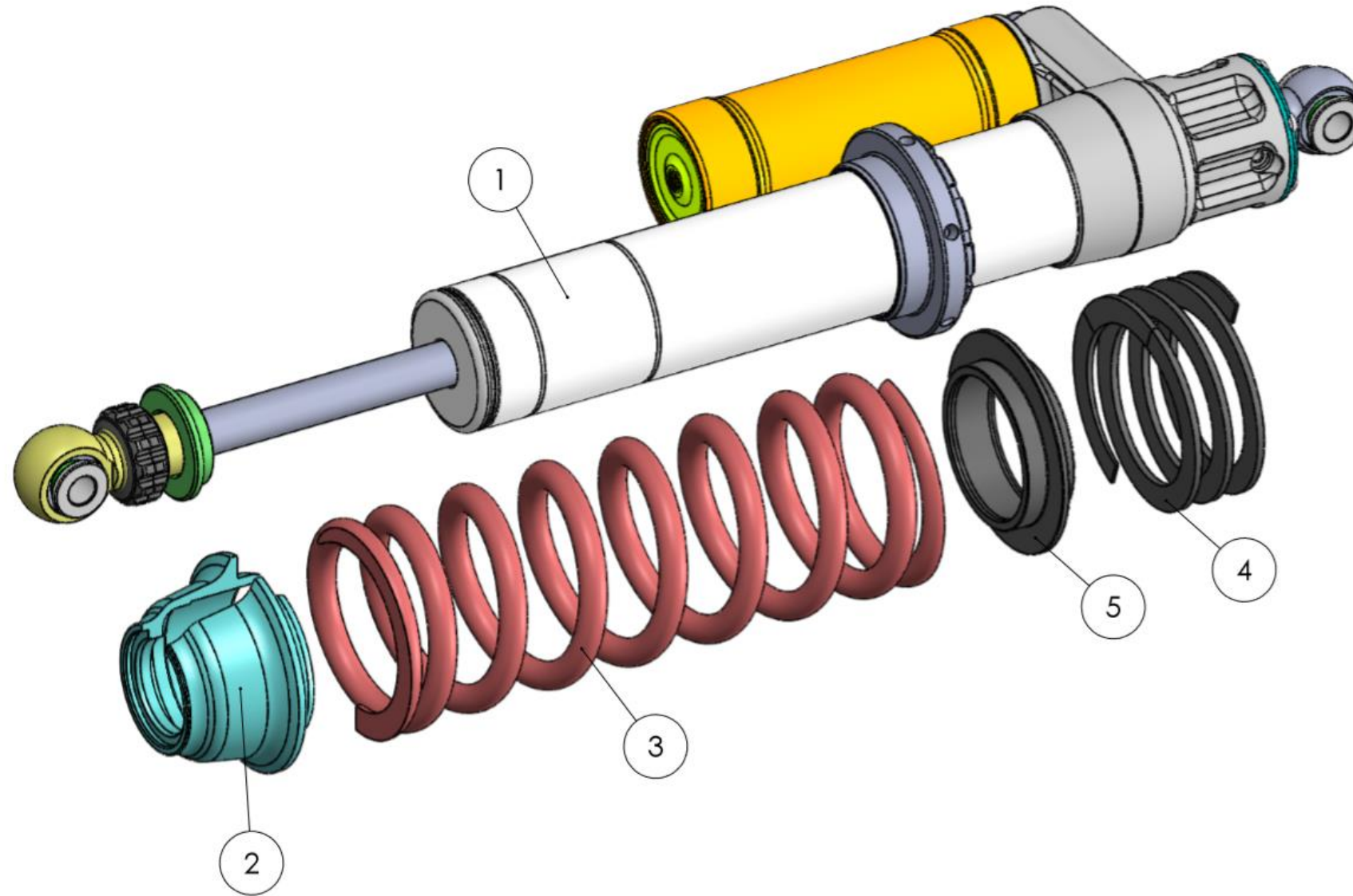
ITEM NO.	DESCRIPTION	PART NUMBER	Q
1	Rear toe rod	OM10176	1
2	Set of steering rod spacer (New)	OM13179	1
3	Rod end	OM10129	1
4	Lock nut 5/8-18 (RH thr.)	OM10094	1
5	Steering rod boot	OM10131	1
6	Inner spacer (10 mm) (New)	OM13444	1
7	Bolt 1/2-20x2.75		1
8	Nut 1/2-20		1
9	Nut M16x1.5		1

Rear wheel upright assembly 2019



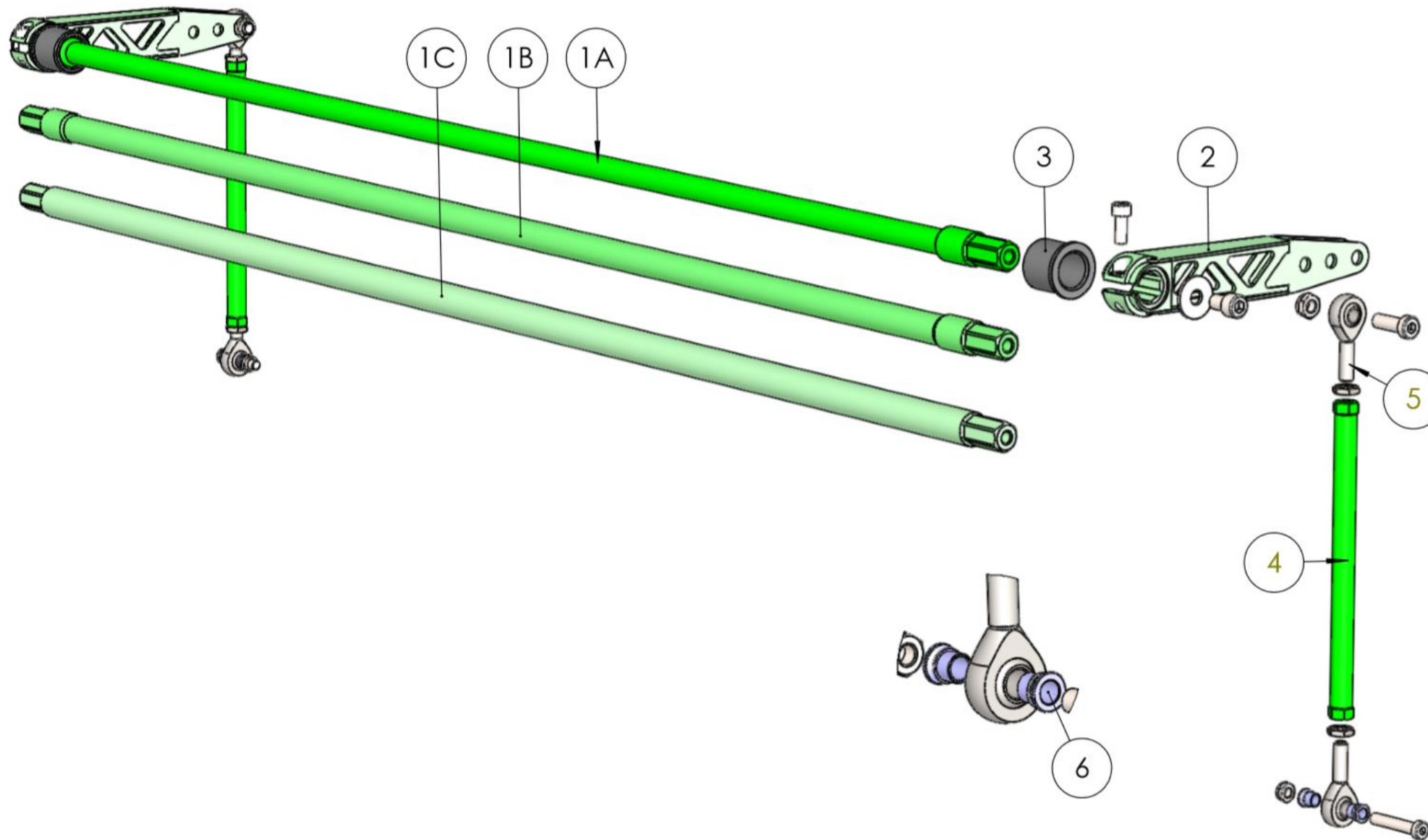
ITEM NO.	DESCRIPTION	PART NUMBER	Q
1	Rear left side upright (Updated)	OM13164L	1
1	Rear right side upright (Updated)	OM13164R	1
2	Wheel bearing	OM10111	2
3	Rear bearing spacer	OM10167	1
4	Rear hub	OM10168	1
5	Wheel stud	OM10114	5
6	Wheel nut	OM10116	5
7	Hub locknut	OM10119	1
8	Rear kingpin (23 mm)	OM10173	1
9	Nut M14x1.5	OM10117	1

Rear damper 2017-2019



ITEM NO.	DESCRIPTION	PART NUMBER	Q
1	Rear damper	OM13081	1
2	Rear damper spring seat	OM10082	1
3	Rear damper spring	OM10084	1
4	Rear damper helper spring	OM10085	1
5	Springs spacer ring	OM10079	1

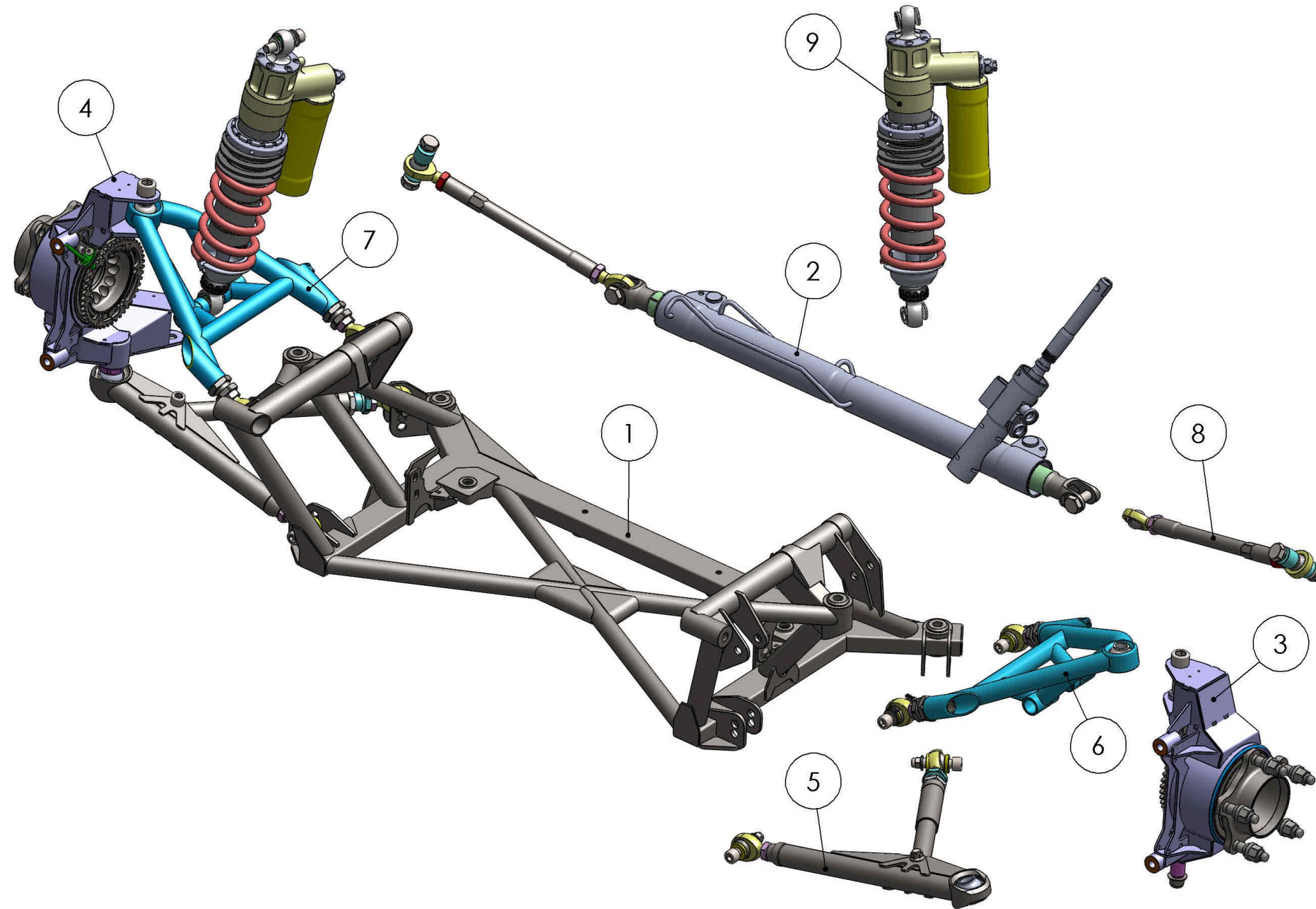
Rear antiroll bar 2019



ITEM NO.	DESCRIPTION	PART NUMBER	Q
1A	Rear anti-roll bar (18 mm)	OM50072	1
1B	Rear anti-roll bar (22 mm)	OM50073	1
1C	Rear anti-roll bar (25 mm)	OM50074	1
2	Rear anti-roll arm (Updated)	OM50075	2
3	Bushing (New)	OM53076	2
4	Rear anti-roll rod (New)	OM53077	2
5	RODOBAL_RM 10 SE	OM50070	4
6	Rod end spacer DRH 10.8	OM50071	4

Front suspension assembly 2020

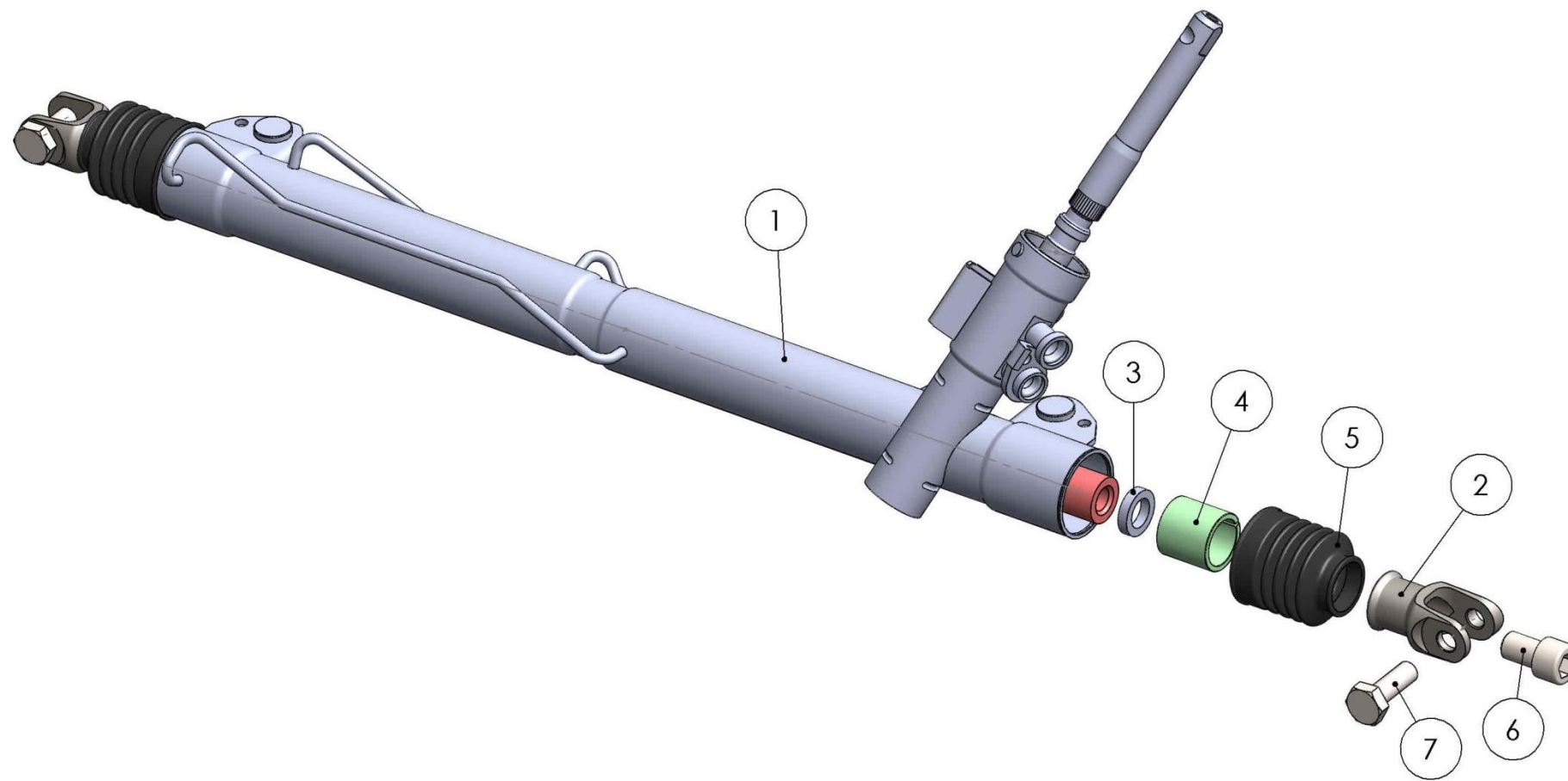
- Applications: **Hillclimb** and Rallycross



ITEM NO.	DESCRIPTION	PART NUMBER	Q
1	Front sub-frame (Updated)	OM14088	1
2	Steering rack ass. (2020-HC spec.)	OM14200	1
3	Front left upright ass.	OM14108L	1
4	Front right upright ass.	OM14108R	1
5	Front left lower arm ass.	OM14089L	1
5	Front right lower arm ass.	OM14089R	1
6	Front left top control arm ass.	OM14098L	1
7	Front right top control arm ass.	OM14098R	1
8	Front steering rod ass. (Updated)	OM14201	2
9	Front damper (2020-HC spec.)	OM14300	2

Steering rack assembly 2020

- Applications: Hillclimb and Rallycross



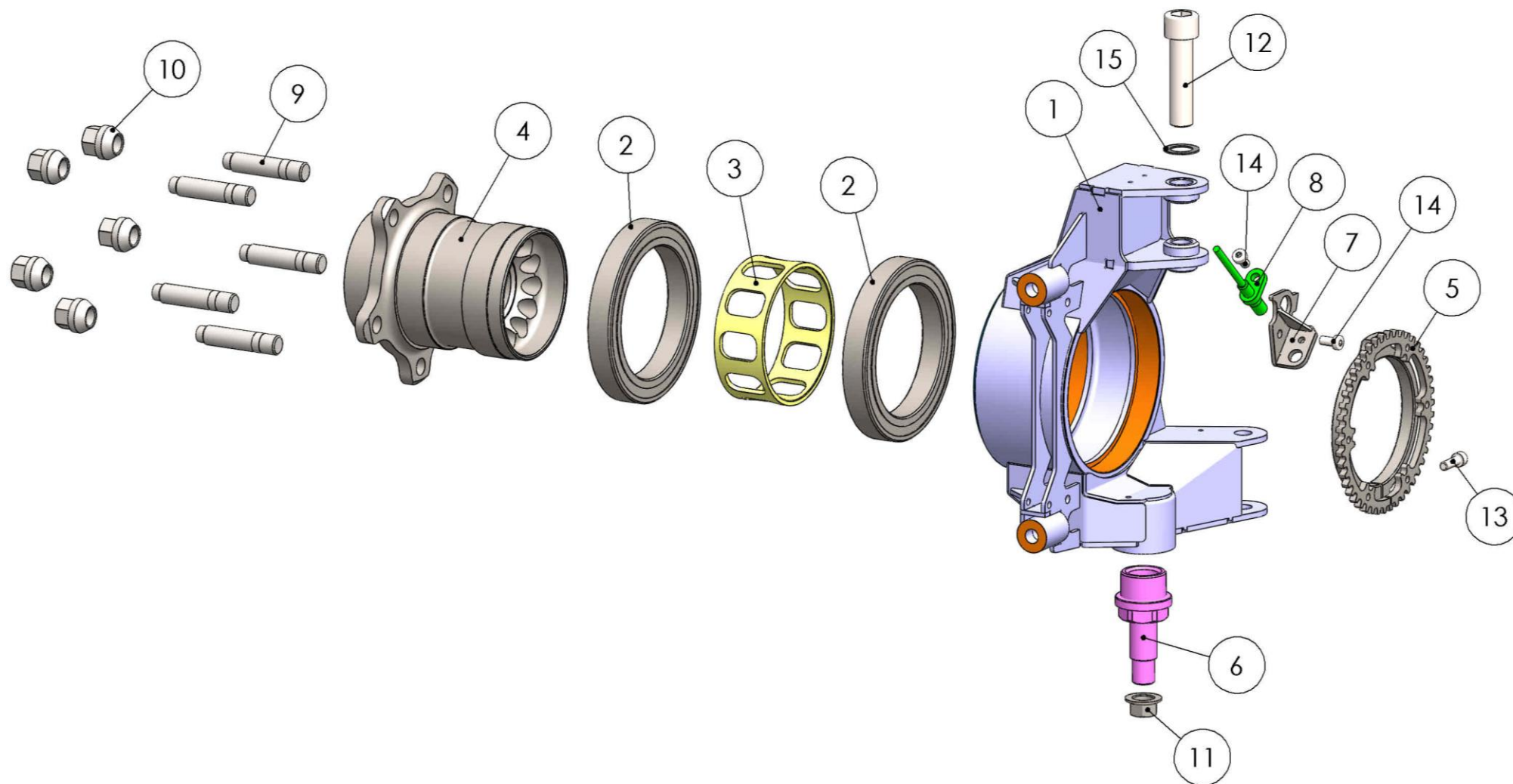
ITEM NO.	DESCRIPTION	PART NUMBER	Q
1	Steering rack	OM10120	1
2	Rack ends (long)	OM14202	2
3	Spacer – 6 mm	OM14203	2
4	Travel stop – 34 mm	OM14204	2
5	Boot	OM14205	2
6	M16, L20 bolt	OM14206	2
7	½-20 bolt	OM14207	2

NOTES:

- For the hill climb application steering rack with 668 mm long rack is used.

Front upright assembly 2020

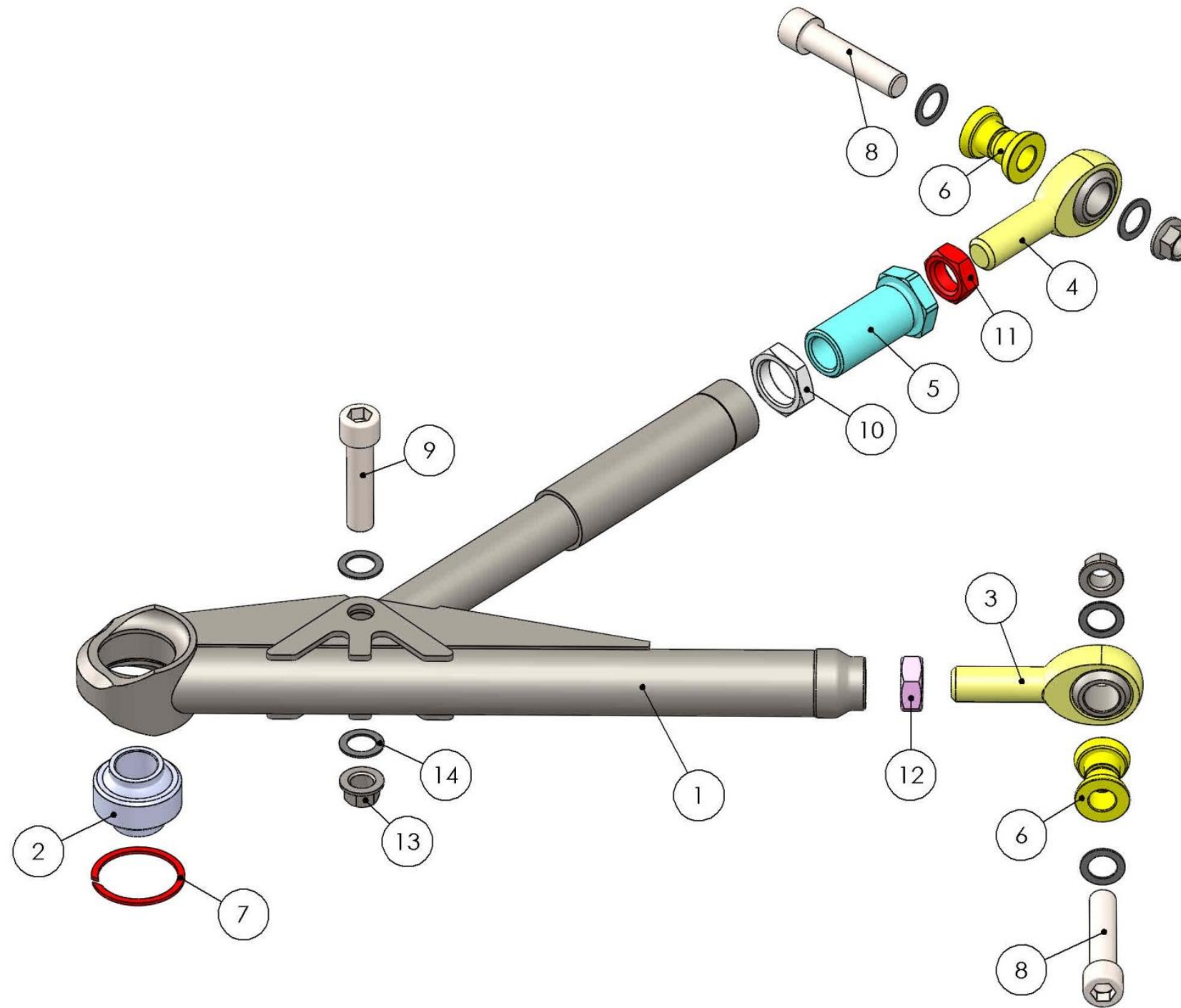
- Applications: **Hillclimb** and Rallycross



ITEM NO.	DESCRIPTION	PART NUMBER	Q
1	Front right side upright (new)	OM14109R	1
1	Front left side upright (new)	OM14109L	1
2	Wheel hub bearing	OM10111	2
3	Bearing spacer	OM10167	1
4	Front hub	OM10512	1
5	Hub lock nut with ABS trigger wheel	OM14208	1
6	Front lower kink pin - 16	OM14209	1
7	ABS sensor bracket	OM14210	1
8	ABS sensor	OM14211	1
9	Wheel studs	OM10114	5
10	Wheel nuts	OM10116	5
11	5/8-18 nut	OM14212	1
12	M16x1.5, L65 bolt	OM14213	1
13	M6, L20 bolt	OM14214	1
14	M6, L10 bolt	OM14215	2
15	D16 washer	OM14216	2

Front lower control arm 2020

- Applications: Hillclimb and Rallycross



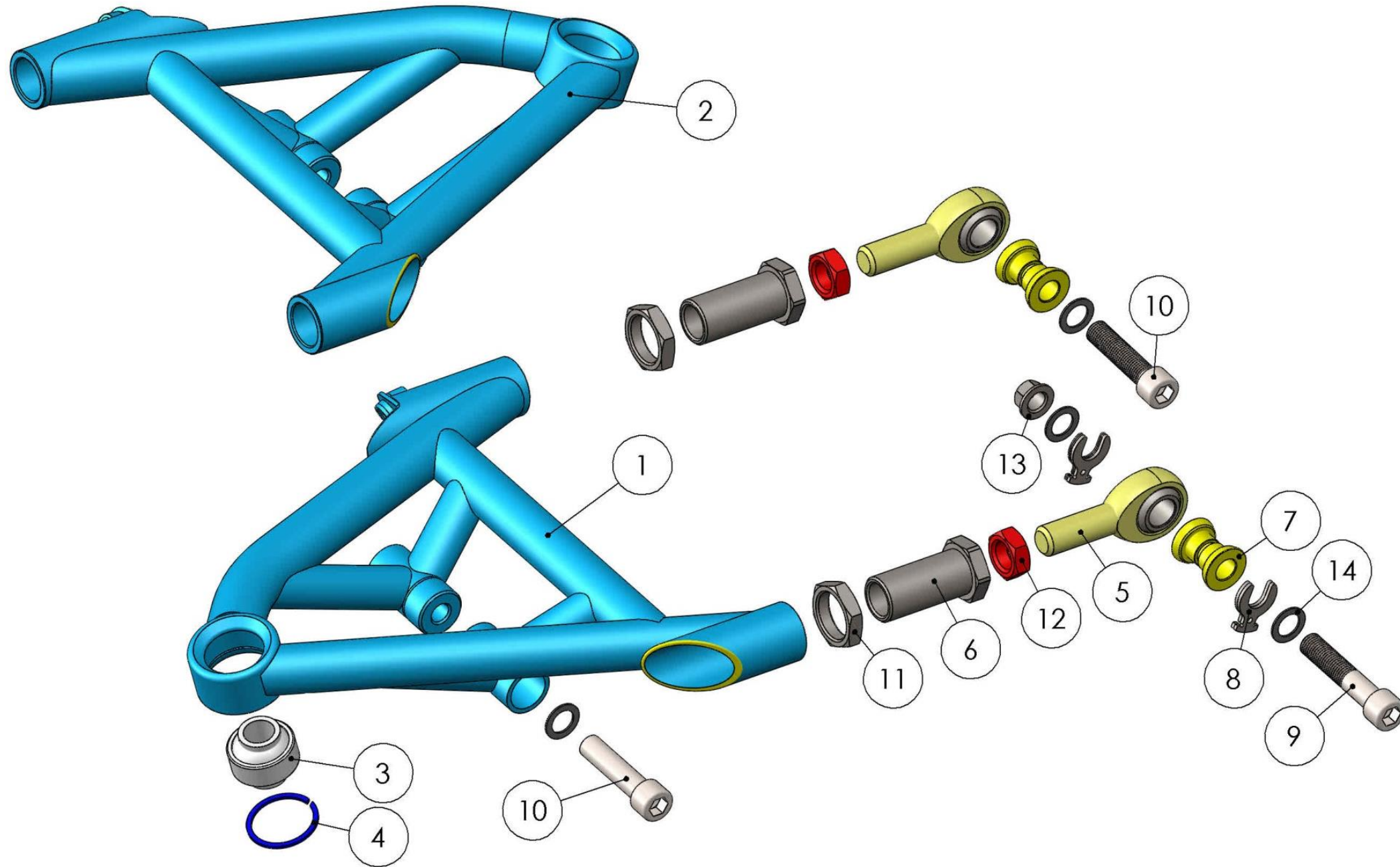
ITEM NO.	DESCRIPTION	PART NUMBER	Q
1	Front left lower control arm	OM14090L	1
1	Front right lower control arm	OM14090R	1
2	Outer joint - 19	OM10092	1
3	Rod end 5/8-18 (RH thr.)	OM10096	1
4	Rod end 5/8-18 (LH thr.)	OM10144	1
5	Insert M24x1.5 (RH thr.)	OM10142	1
6	Spacer - 30	OM10095	4
7	Circlip - 42	OM10093	1
8	M12x1.5, L55 bolt	OM14217	2
9	M12x1.5, L50 bolt	OM14218	1
10	Nut M24x1.5 (RH thr.)	OM10143	1
11	Nut 5/8-18 (LH thr.)	OM10140	1
12	Nut 5/8-18 (RH thr.)	OM10094	1
13	K-nut 12x1.5	OM14219	3
14	Washer D-12	OM14220	6

NOTES:

- Can be used only with updated sub-frame.

Front top control arm 2020

- Applications: **Hillclimb** and Rallycross



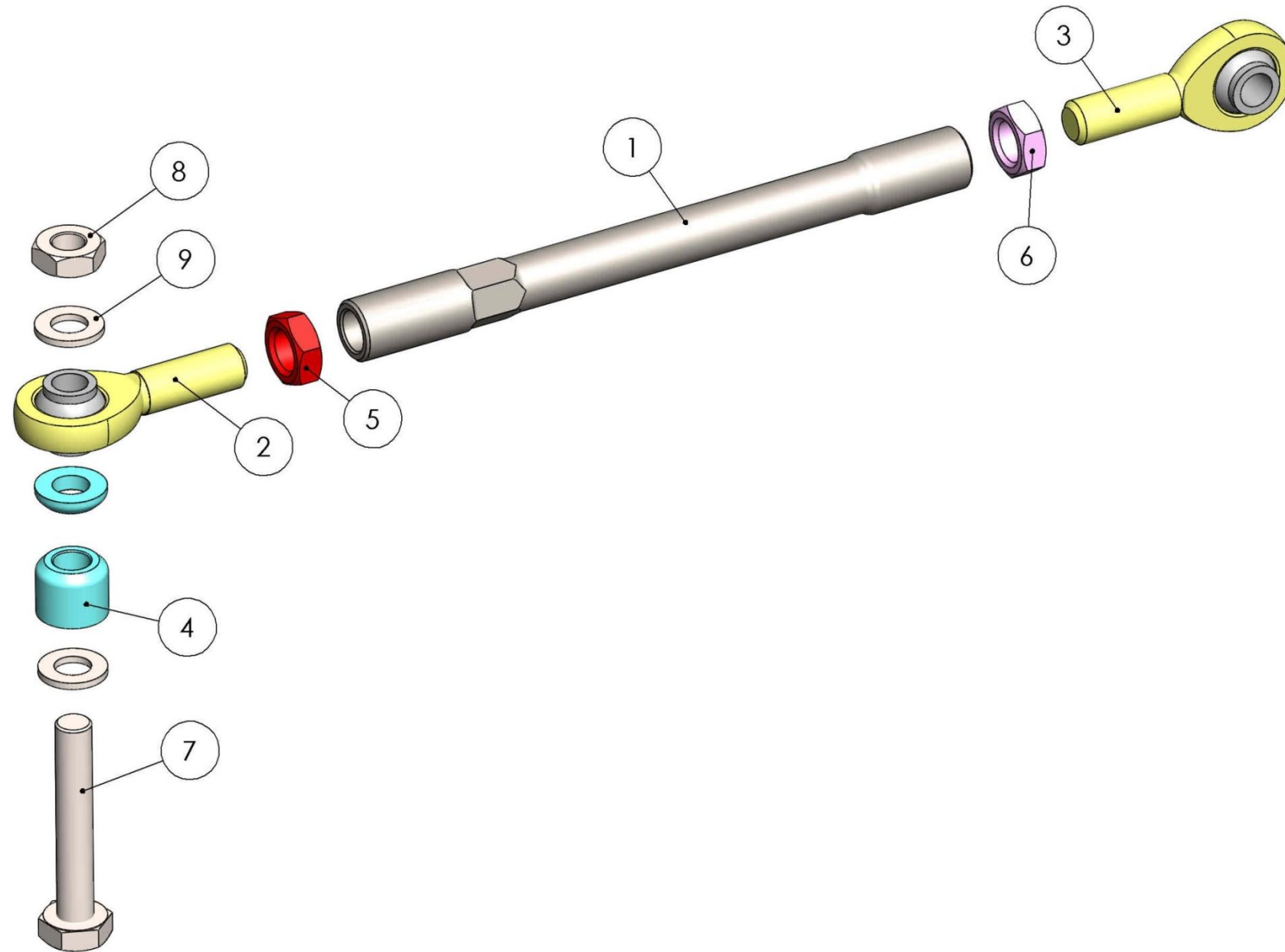
ITEM NO.	DESCRIPTION	PART NUMBER	Q
1	Front top right control arm	OM14099R	1
2	Front top left control arm	OM14099L	1
3	Outer joint - 16	OM10101	1
4	Circlip - 37	OM10102	1
5	Rod end 5/8-18 (LH thr.)	OM10140	2
6	Insert M24x1.5 (RH thr.)	OM10142	2
7	Spacer - 30	OM10095	4
8	Shim stack – total 8 mm	OM14221	1
9	M12x1.5, L60 bolt	OM14222	1
10	M12x1.5, L50 bolt	OM14218	2
11	Lock nut M24x1.5 (RH thr.)	OM10143	2
12	Nut 5/8-18 (LH thr.)	OM10140	2
13	K-nut 12x1.5	OM14219	1
14	Washer D-12	OM14220	1

NOTES:

- Can be used only with updated sub-frame.
- With this top arm front suspension gets more travel.

Steering rod 2020

- Applications: Hillclimb and Rallycross



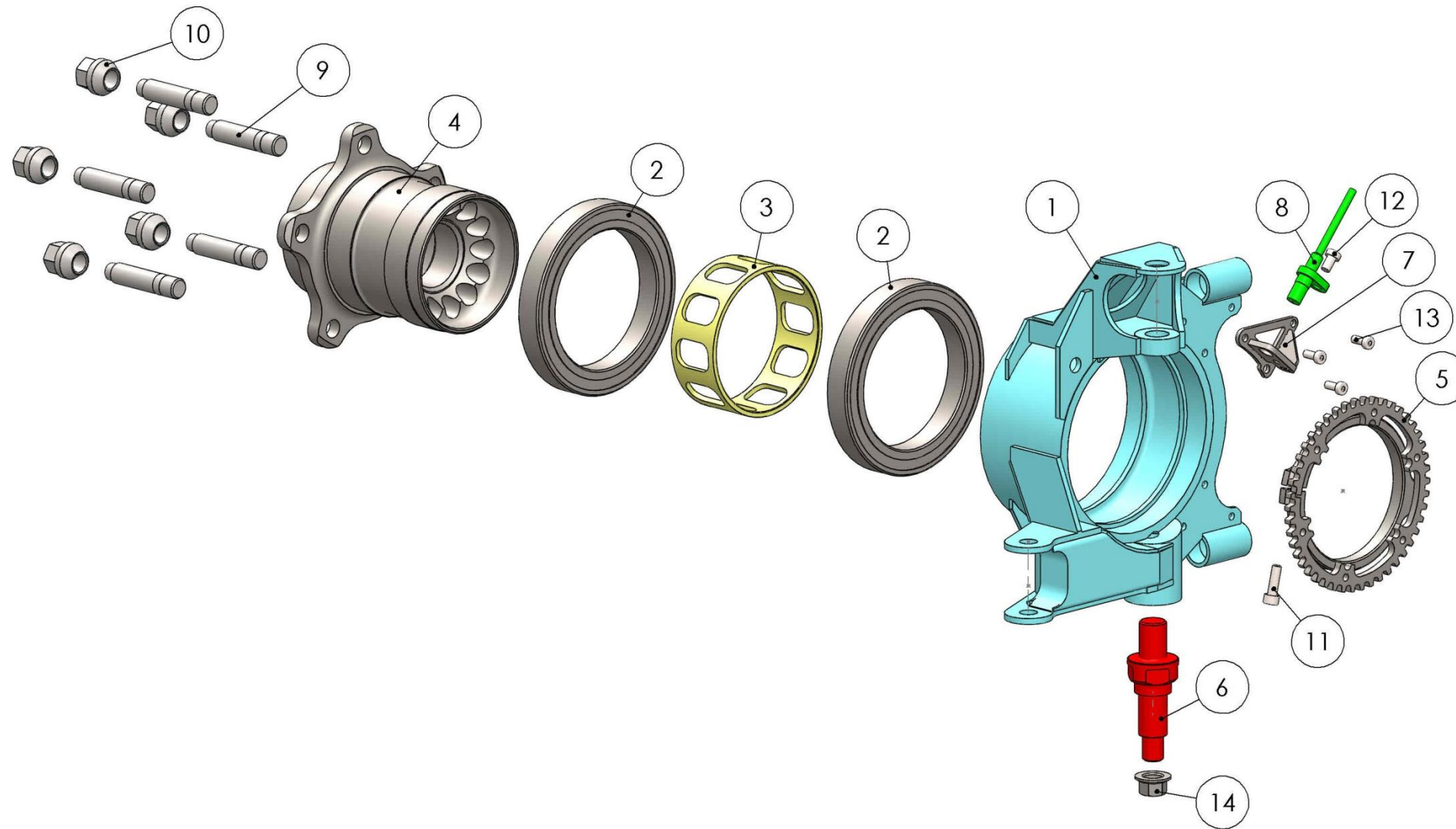
ITEM NO.	DESCRIPTION	PART NUMBER	Q
1	Rod (New)	OM14223	1
2	Rod end 5/8-18 (LH thr.), (high angle)	OM14224	1
3	Rod end 5/8-18 (RH thr.), (high angle)	OM10129	1
4	Spacer – 1/2-50 (Set)	OM14225	1
5	Nut 5/8-18 (LH thr.)	OM10140	1
6	Nut 5/8-18 (RH thr.)	OM10094	1
7	1/2-20, L70 bolt	OM14226	1
8	Nut 1/2-20	OM14227	1
9	Washer D-13	OM14228	2

NOTES:

- Spacers – 1/2-50 dimensions depend on suspension setup and needs to be checked after every all changes.

Rear upright assembly 2020

- Applications: Hillclimb and Rallycross



ITEM NO.	DESCRIPTION	PART NUMBER	Q
1	Rear right side upright	OM10165	1
1	Rear left side upright	OM10164	1
2	Wheel hub bearing	OM10111	2
3	Bearing spacer	OM10167	1
4	Front hub	OM10512	1
5	Hub lock nut with ABS trigger wheel	OM14208	1
6	Rear lower kink pin - 23	OM10173	1
7	Rear ABS sensor bracket	OM14229	1
8	ABS sensor	OM14211	1
9	Wheel studs	OM10114	5
10	Wheel nuts	OM10116	5
11	M6, L20 bolt	OM14214	1
12	M6, L10 bolt	OM14215	1
13	M5, L12 bolt	OM14230	3
14	K-Nut M14x1.5	OM10119	1

NOTES:

- For this specification rear wheel hub is the same as front wheel hub. Other components remain the same as on earlier specification rear upright assembly.

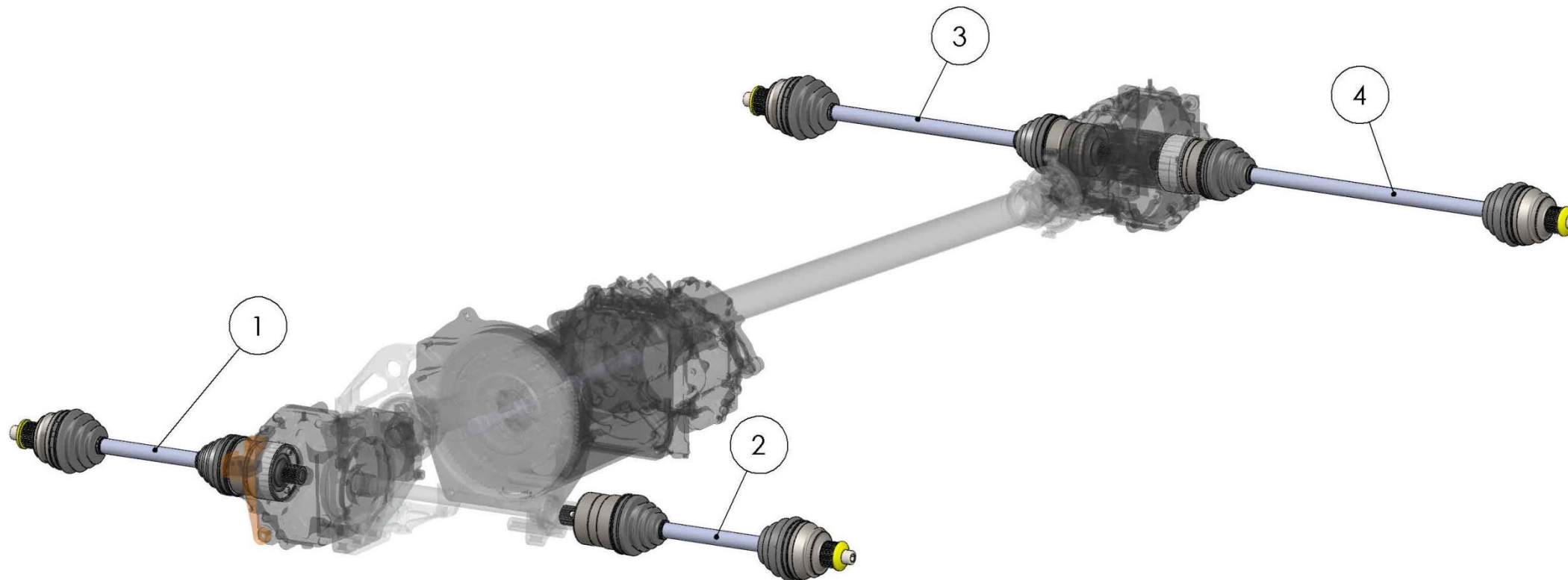
Transmission and driveline 2020 components

- Applications: Hillclimb and Rallycross

ITEM NO.	DESCRIPTION	PART NUMBER	Q
1	Front right driveshaft ass.	OM14400	1
2	Front left driveshaft ass.	OM14401	1
3	Rear right driveshaft ass.	OM14402	1
4	Rear left driveshaft ass.	OM14403	1

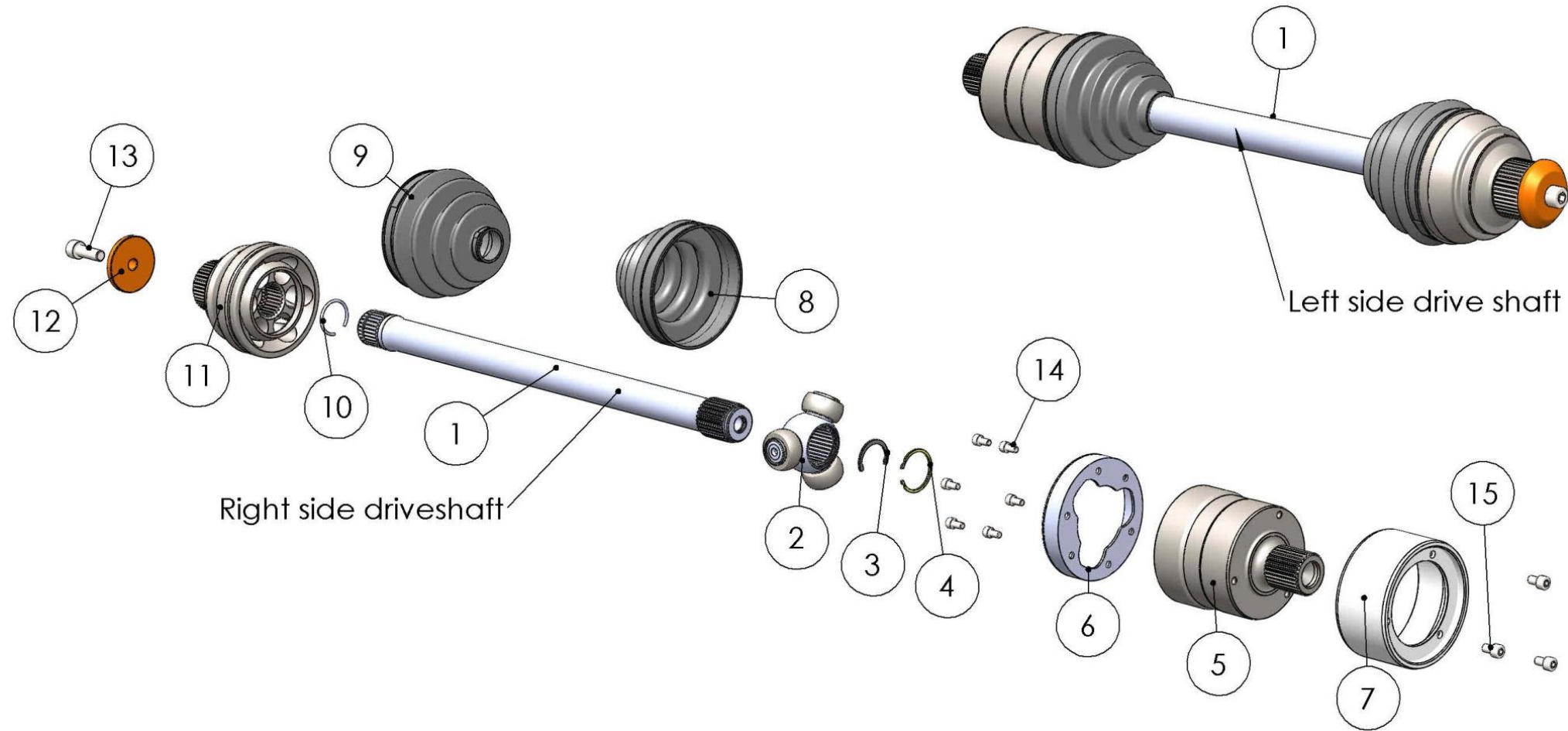
NOTES:

- All four outer driveshaft joints are the same.



Front driveshafts 2020

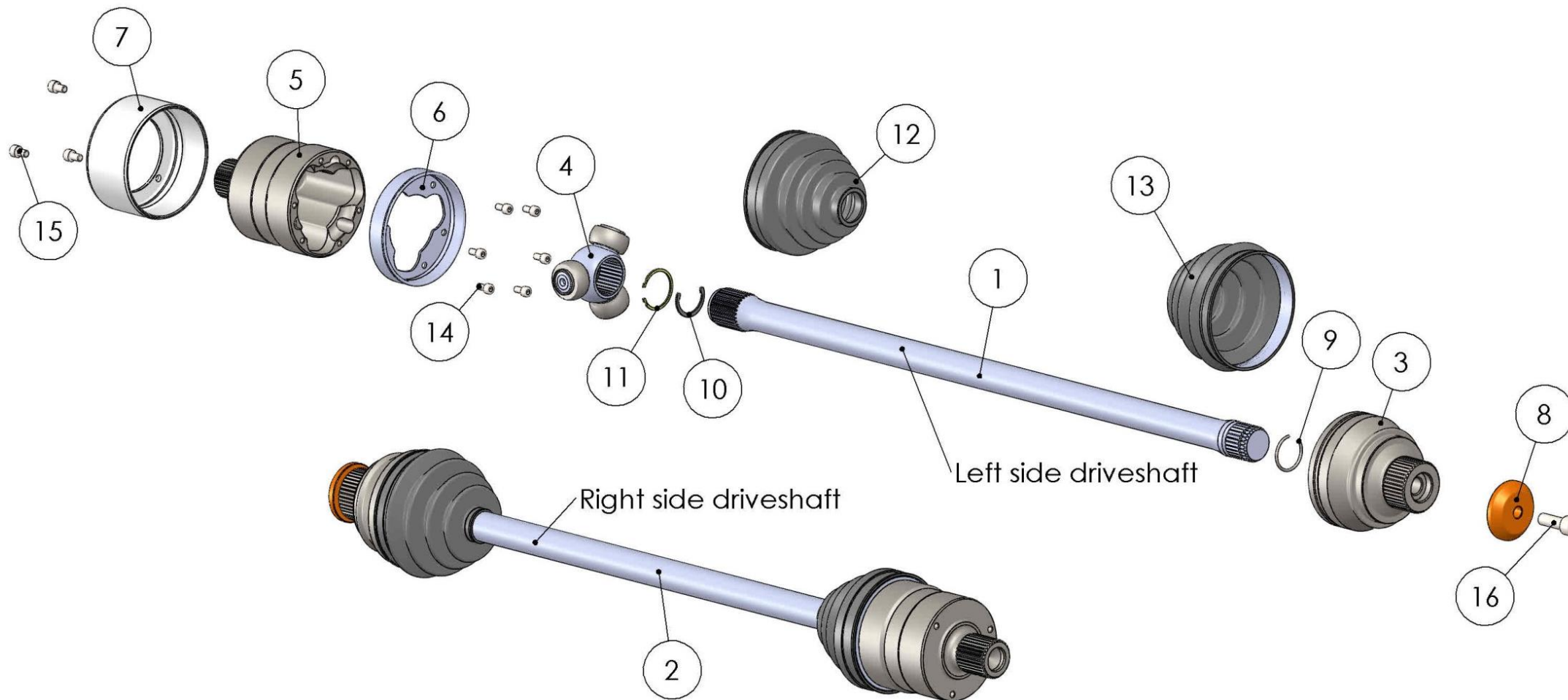
- Applications: Hillclimb and Rallycross



ITEM NO.	DESCRIPTION	PART NUMBER	Q.
1	Front driveshaft (RH/LH)	OM14404	1
2	Tripod joint	OM10375	1
3	Circlip - 1	OM10374	1
4	Circlip - 2	OM10374	1
5	Tripod housing LW	OM10495	1
6	Tripod locker	OM10376	1
7	Diff. sealing ring	OM10378	1
8	Tripod boot	OM10379	1
9	CV joint boot	OM10390	1
10	CV joints circlip	OM14405	1
11	CV joint	OM14406	1
12	Washer	OM14407	1
13	Bolt M16, L25	OM14408	1
14	Bolt M5x10	OM14409	6
15	Bolt M6x12	OM14410	3

Rear driveshafts 2020

- Applications: Hillclimb and Rallycross

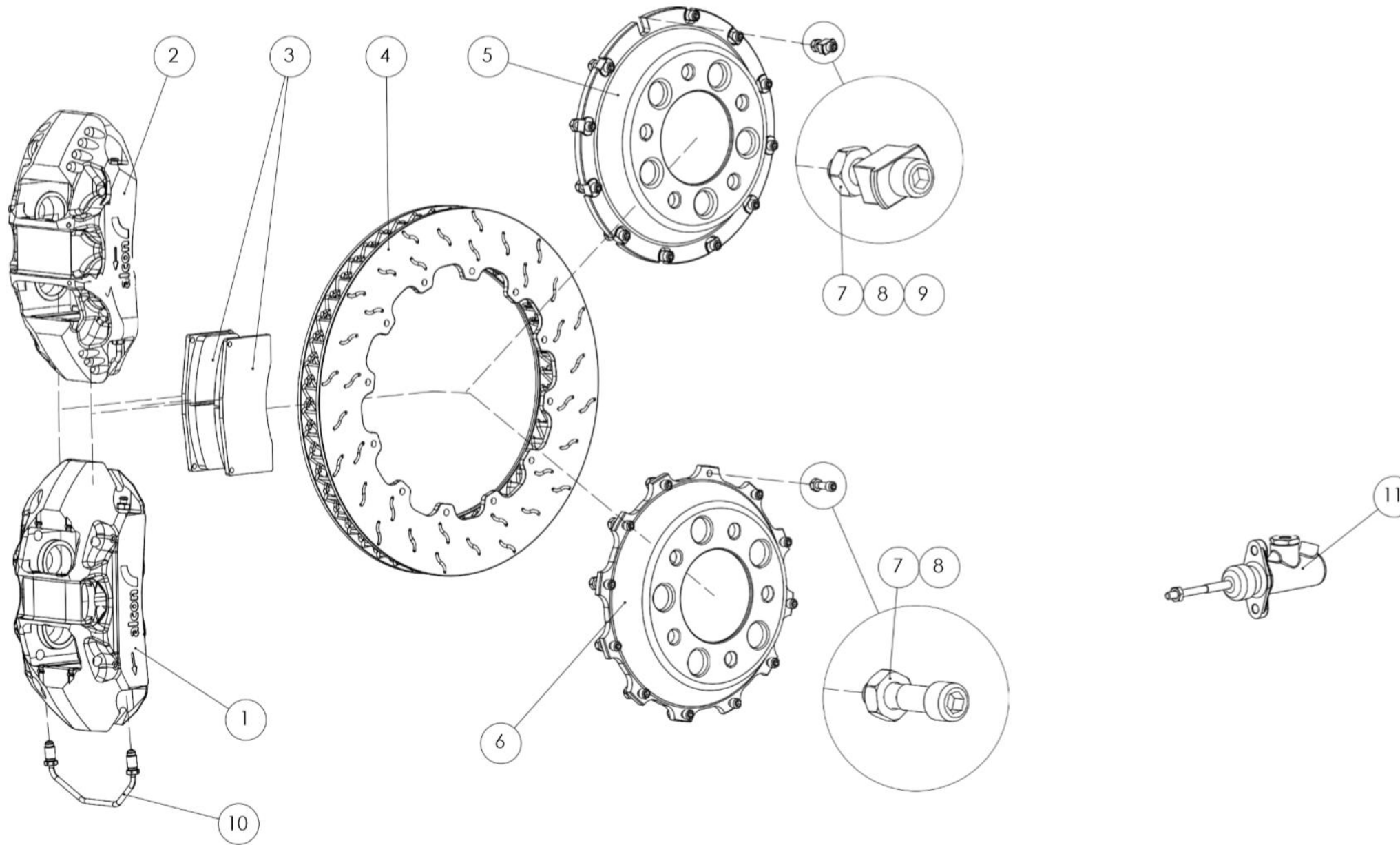


ITEM NO.	DESCRIPTION	PART NUMBER	Q.
1	Rear driveshaft (LH)	OM14411	1
2	Rear driveshaft (RH)	OM14412	1
3	CV joint	OM14406	1
4	Tripod joint	OM10375	1
5	Tripod housing	OM10495	1
6	Tripod locker	OM10376	1
7	Diff. sealing ring	OM10378	1
8	Washer	OM14407	1
9	CV joints circlip	OM14405	1
10	Circlip - 1	OM10374	1
11	Circlip - 2	OM10374	1
12	Tripod boot	OM10379	1
13	CV joint boot	OM10390	1
14	Bolt M5, L10	OM14409	6
15	Bolt M6, L12	OM14410	3
16	Bolt M16, L25	OM14408	1

NOTES:

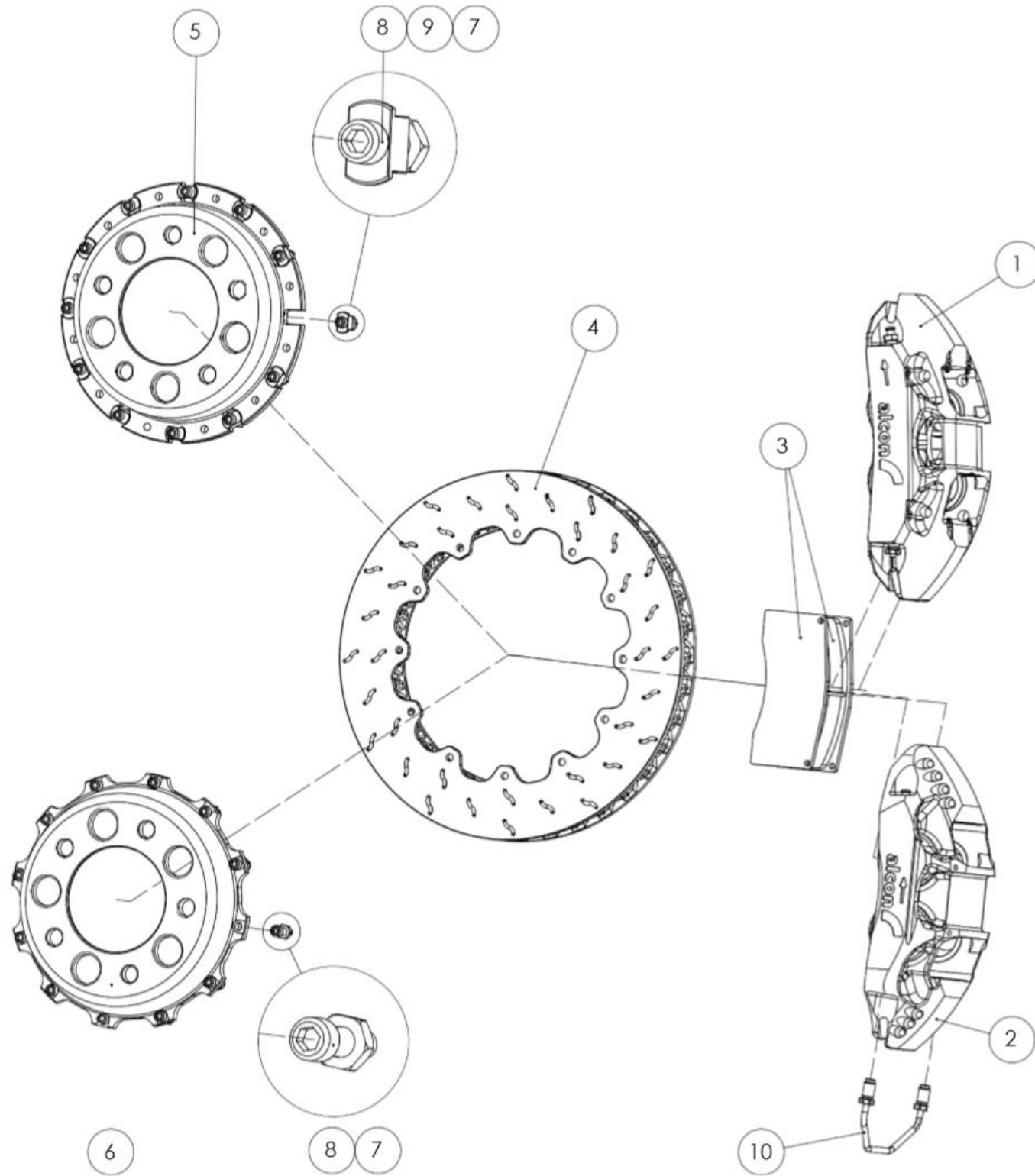
- Left side drive shaft is longer

Front brakes



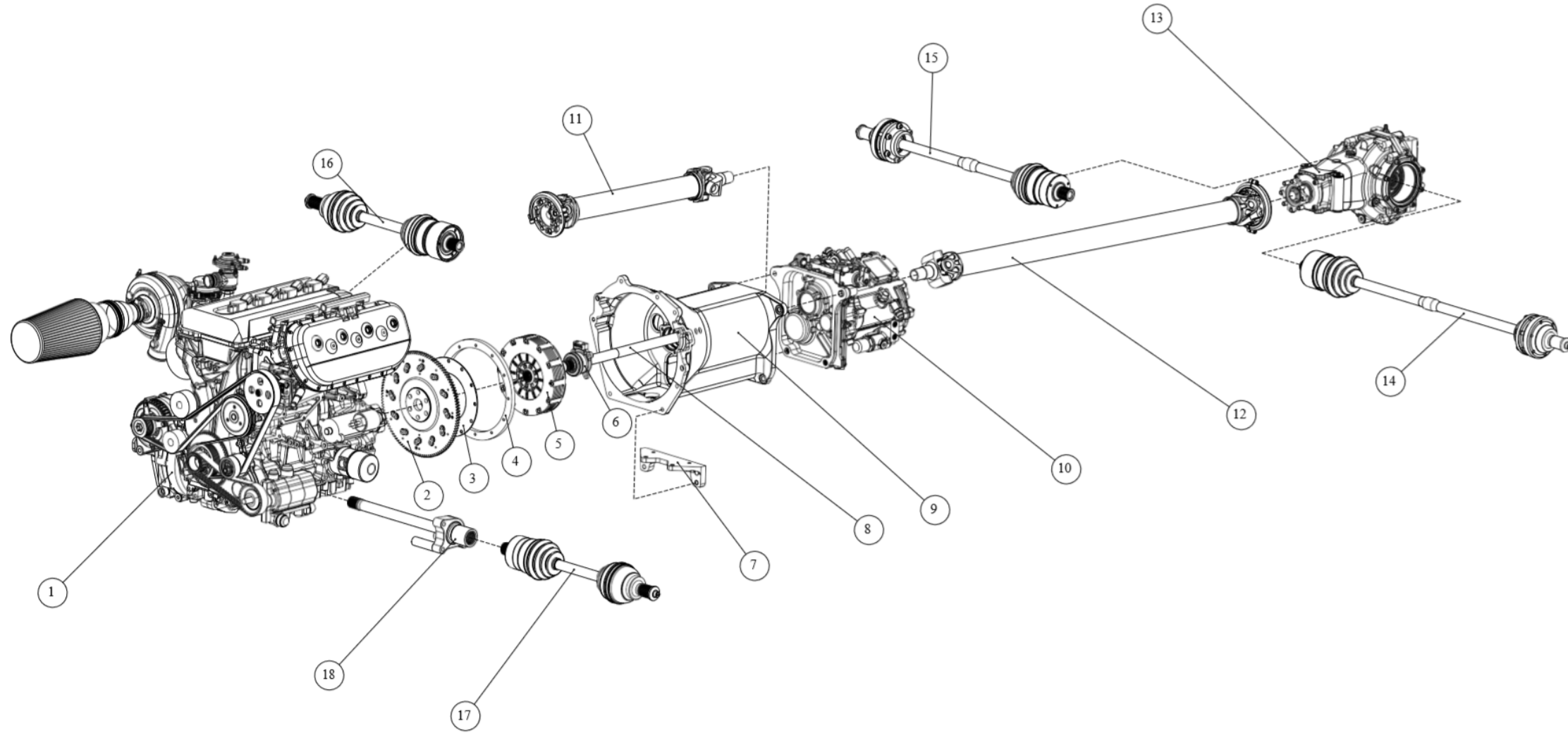
ITEM NO.	DESCRIPTION	PART NUMBER	Q
1	Caliper front left (spec.01)	OM10316	1
	Caliper front right (spec.01)	OM10313	1
2	Caliper front left (spec.02)	OM10317	1
	Caliper front right (spec.02)	OM10314	1
3	Front brake pads	OM10319	1set
4	Brake disc front left	OM10318	1
	Brake disc front right	OM10315	1
5	Bellhouse (floating)	OM10321	1
6	Fellhouse (fixed)	OM10320	1
7	Nut	OM10332	12
8	Bolt	OM10331	12
9	Bobbin floating center	OM10333	12
10	Brake caliper bridge pipe	OM10334	1
11	Front brake master cylinder 0,812	OM10306	1
	Rear brake master cylinder 0,875	OM10307	1
	Hand brake master cylinder 0,625	OM10304	1

Rear brakes



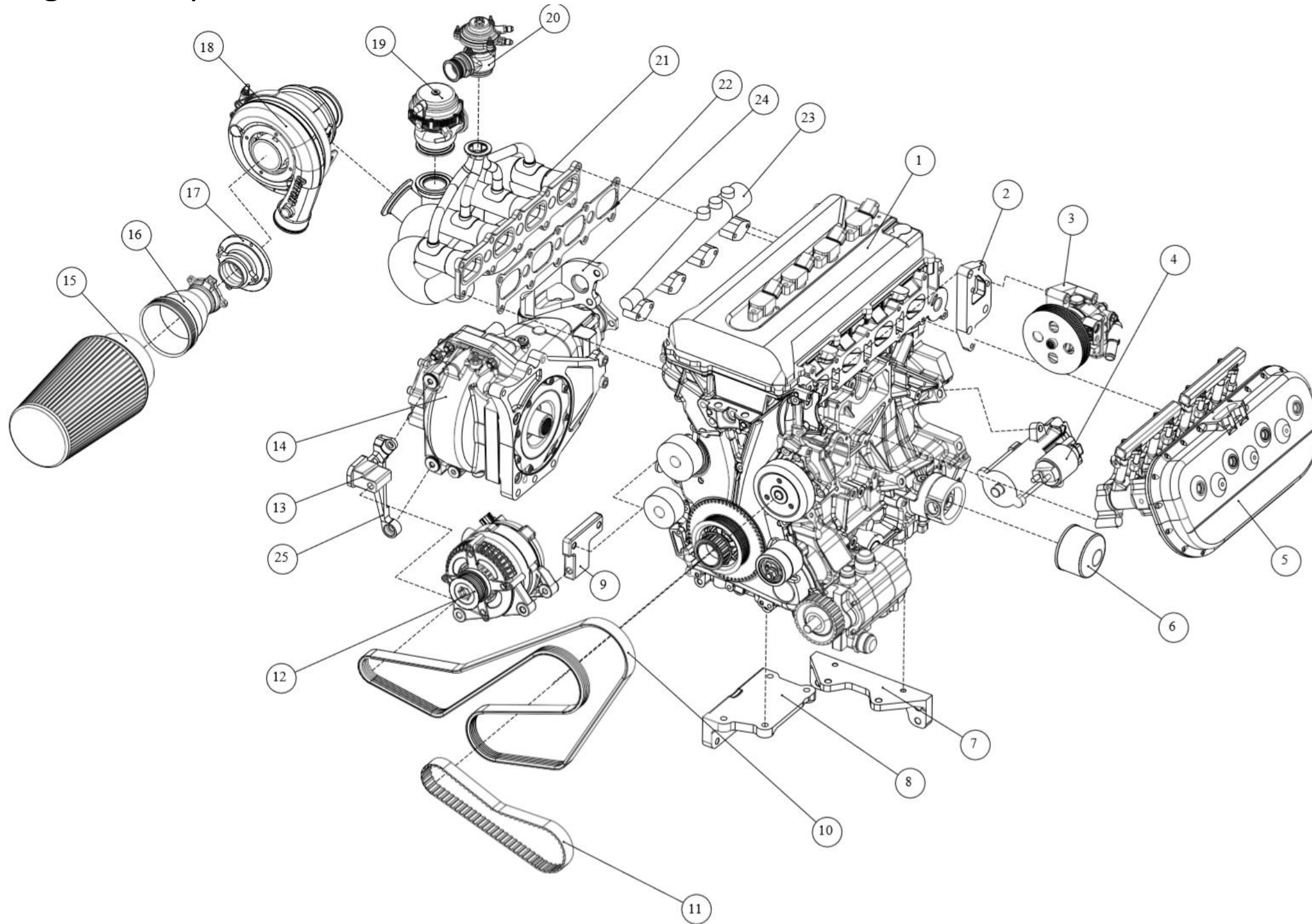
ITEM NO.	DESCRIPTION	PART NUMBER	Q
1	Caliper rear left (spec.01)	OM10325	1
	Caliper rear right (spec.01)	OM10322	1
2	Caliper rear left (spec.02)	OM10326	1
	Caliper rear right (spec.02)	OM10323	1
3	Brake pad rear	OM10328	1set
4	Brake disc rear left	OM10327	1
	Brake disc rear right	OM10324	1
5	Bellhouse (floating)	OM10330	1
6	Bellhouse (fixed)	OM10329	1
7	Nut	OM10332	12
8	Bolt	OM10331	12
9	Bobbin floating center	OM10333	12
10	Brake caliper bridge pipe	OM10334	1

Powertrain components

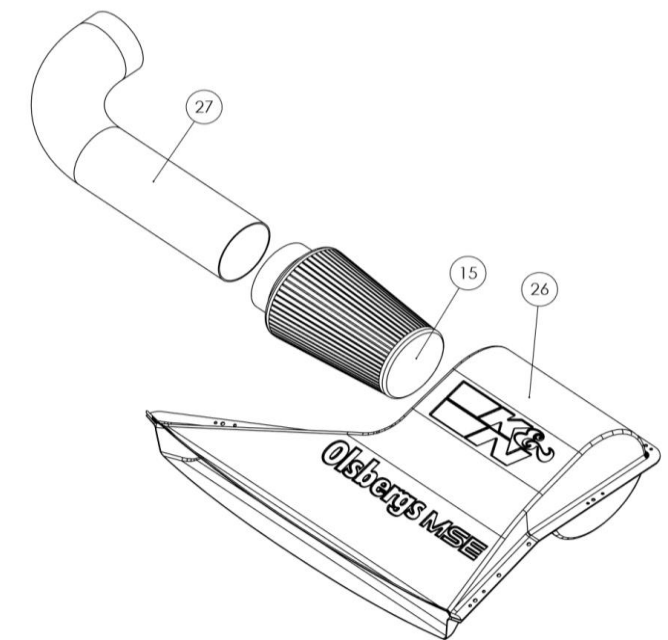


ITEM NO.	DESCRIPTION	PART NUMBER	Q
1	Engine ass.	OM10210	1
2	Flywheel	OM10293	1
3	Clutch shim plate	OM10294	1
4	Fly wheel weights	OM10293	1
5	Clutch	OM10296	1
6	Clutch slave cylinder	OM10298	1
7	Engine middle bracket	OM10426	1
8	Input shaft	OM10349	1
9	Bellhouse	OM10336	1
10	Gearbox	OM10337	1
11	Front propshaft	OM10392	1
12	Rear propshaft	OM10393	1
13	Rear differential	OM10368	1
14	Drive shaft rear left	OM10372	1
15	Drive shaft rear right	OM10371	1
16	Drive shaft front right	OM10369	1
17	Drive shaft front left	OM10370	1
18	fixed shaft	OM10383	1

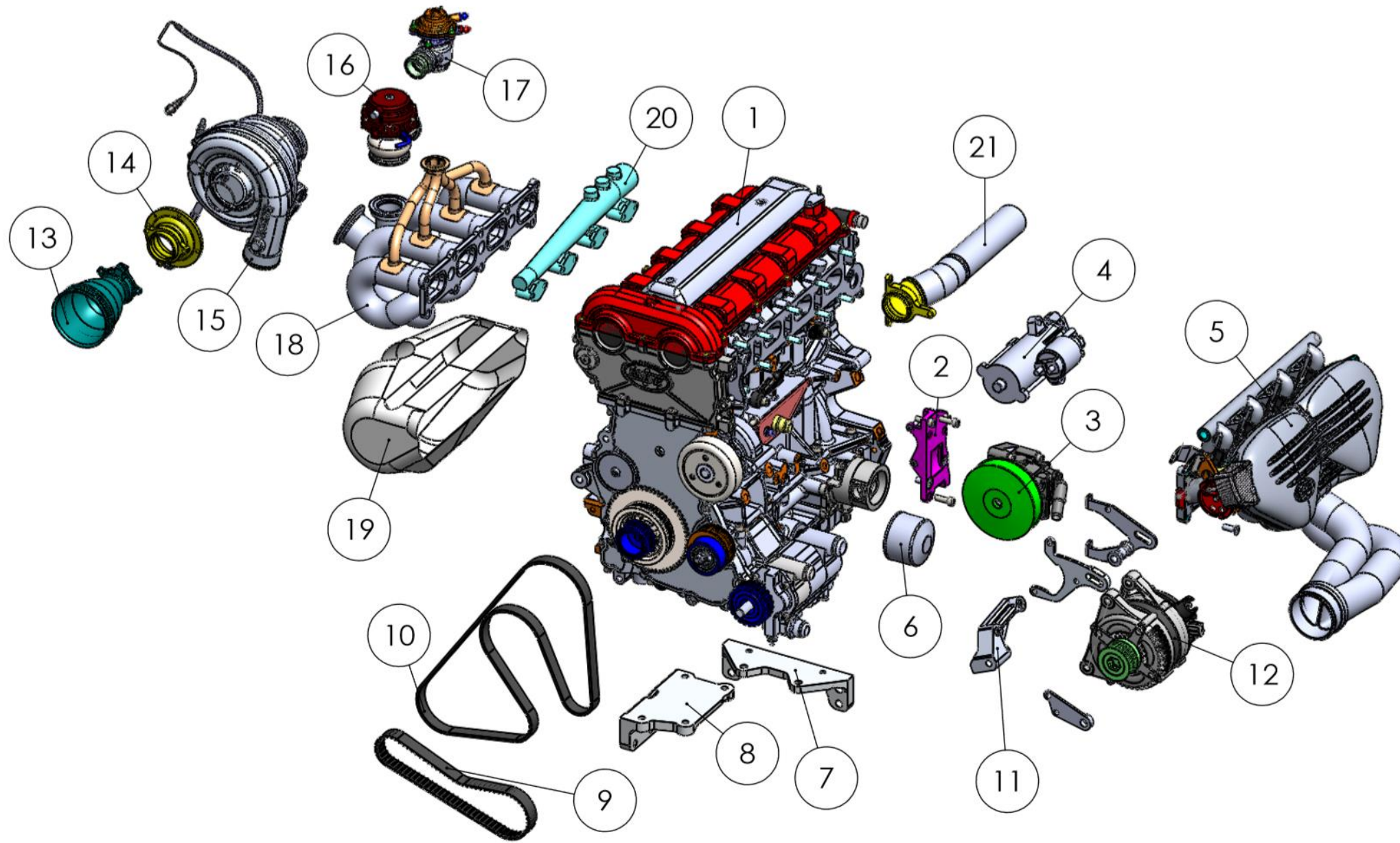
Engine components



ITEM NO.	DESCRIPTION	PART NUMBER	Q
1	Engine	OM10211	1
2	Power steering pump bracket	OM10258	1
3	Power steering pump	OM10124	1
4	Starter motor	OM10219	1
5	Intake manifold	OM10259	1
6	Oil filter	OM10274	1
7	Engine middle bracket	OM10426	1
8	Diff. mount bracket 1	OM10367	1
9	Alternator bracket 1	OM10213	1
10	Drive belt	OM10216	1
11	Oil pump belt	OM10218	1
12	Alternator	OM10212	1
13	Alternator bracket 2	OM10214	1
14	Front differential	OM10366	1
15	Air filter	OM10220	1
16	Trumpet for restrictor	OM10276	1
17	Restrictor	OM10277	1
18	Turbo	OM10239	1
19	Waste-gate	OM10243	1
20	ALS Valve	OM10265	1
21	Exhaust manifold	OM10278	1
22	Exhaust basket	OM10280	1
23	Water rail	OM10281	1
24	Diff. mount bracket 2	OM10368	1
25	Alternator bracket 3	OM10215	1
26	Air filter box	OM11001	1
27	Air in pipe	OM11002	1

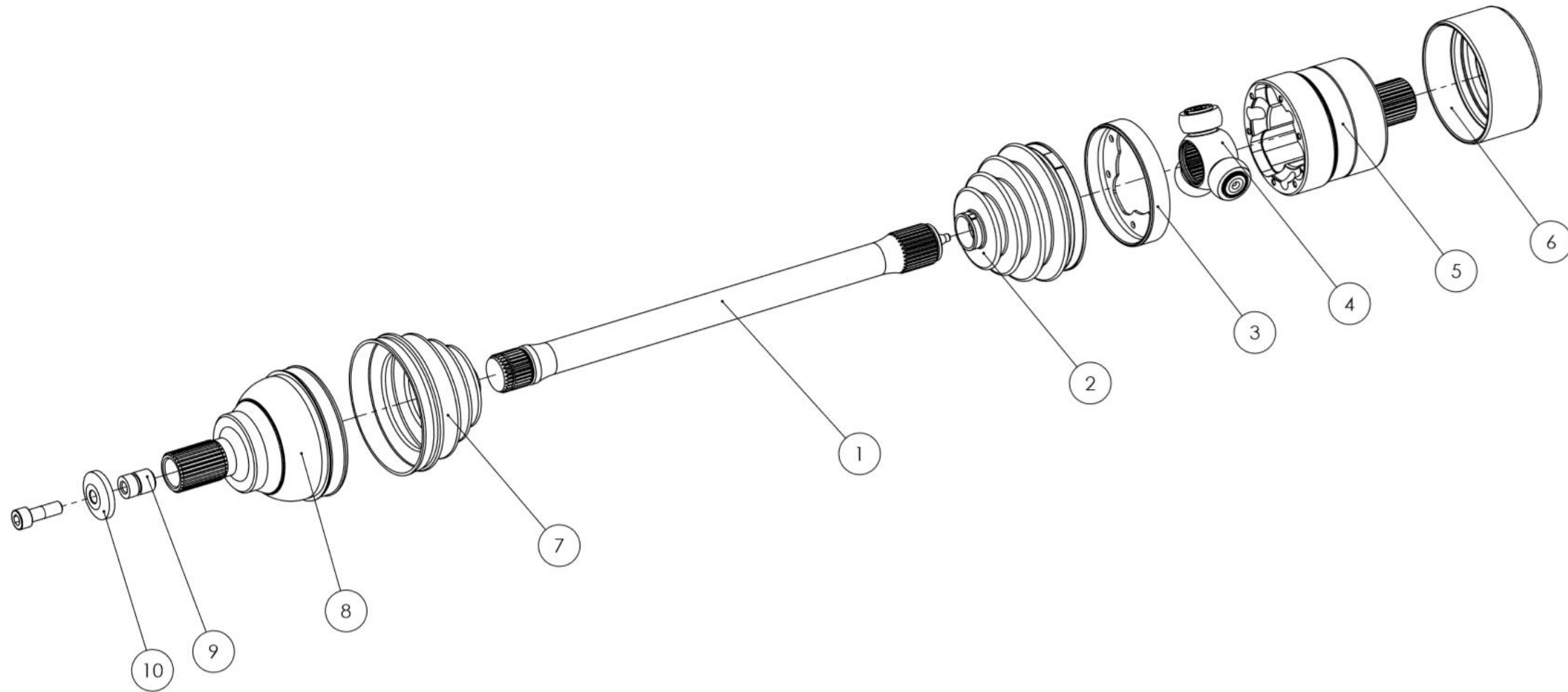


OMSE custom engine



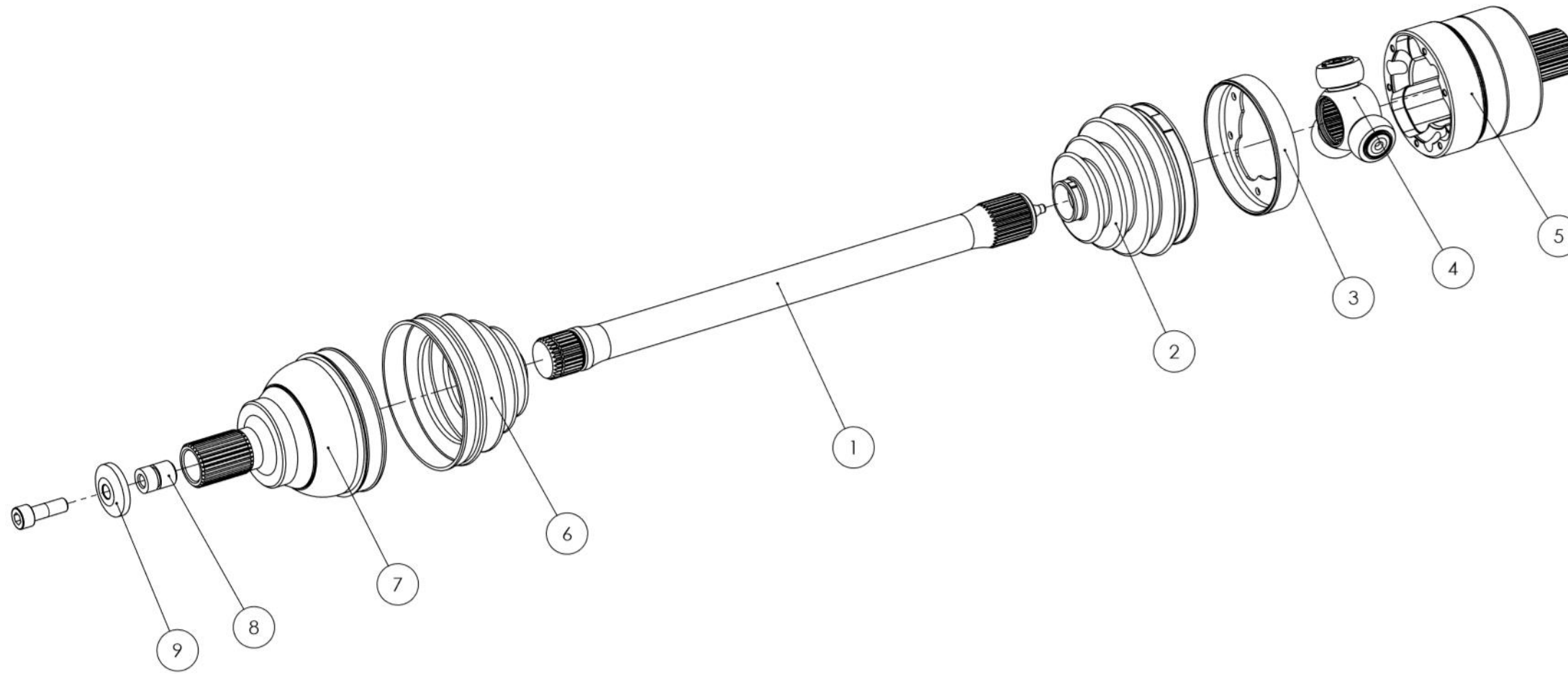
ITEM NO.	DESCRIPTION	PART NUMBER	Q
1	Engine	OM13211	1
2	Power steering pump bracket	OM13258	1
3	Power steering pump	OM10124	1
4	Starter motor	OM10219	1
5	Intake manifold	OM13259	1
6	Oil filter	OM10274	1
7	Engine middle bracket	OM10426	1
8	Diff. mount bracket	OM10367	1
9	Alternator bracket (kit)	OM13213	1
10	Drive belt	OM13216	1
11	Oil pump belt	OM10218	1
12	Alternator	OM10212	1
13	Trumpet for restrictor	OM10276	1
14	Restrictor	OM10277	1
15	Turbo	OM10239	1
16	Waste-gate	OM10243	1
17	ALS Valve	OM10265	1
18	Exhaust manifold	OM10278	1
19	Heat shield	OM13288	1
20	Water outlet rail	OM10281	1
21	Water inlet rail	OM13290	1

Front right drive shaft



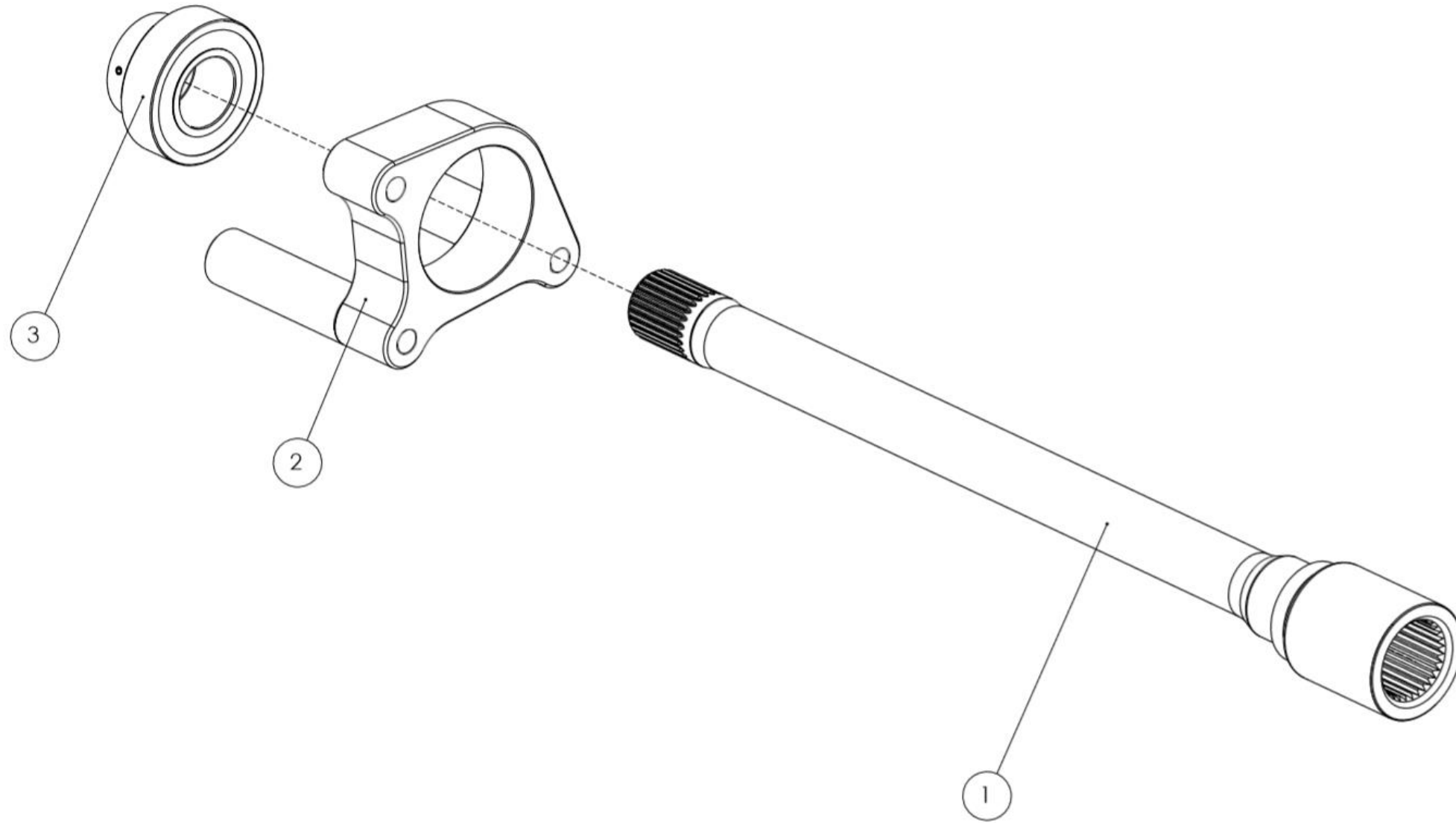
ITEM NO.	DESCRIPTION	PART NUMBER	Q
1	Drive shaft	OM10373	1
2	Inner dust boot	OM10379	1
3	Move stop flange	OM10376	1
4	Tripod joint	OM10375	1
5	Tripod joint housing	OM10377	1
6	Diff. sealing ring	OM10378	
7	Outer dust boot	OM10381	1
8	Front outer CV joint	OM10380	1
9	M10 insert	OM10382	1
10	CV joint lock washer	OM10394	1

Front left drive shaft



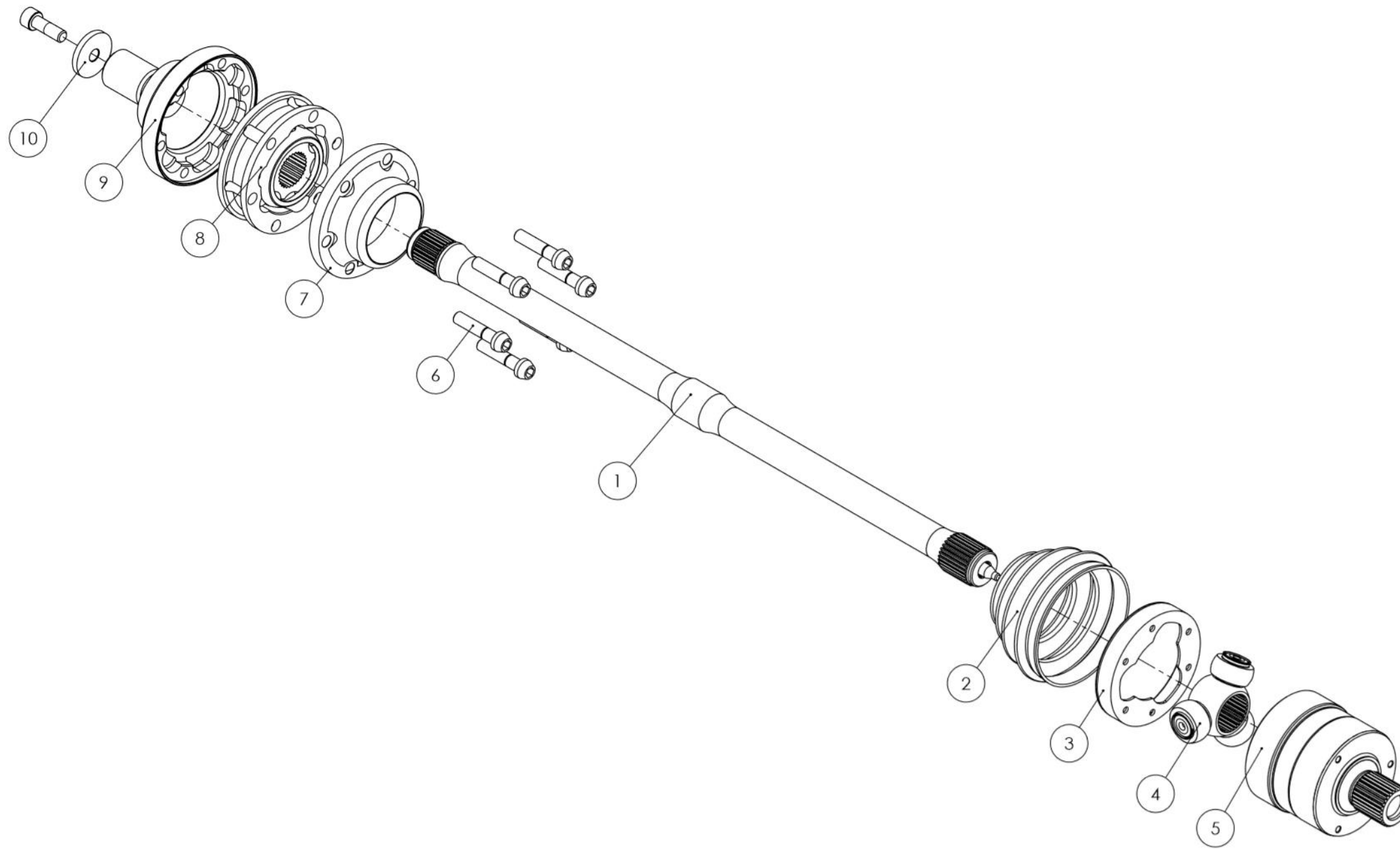
ITEM NO.	DESCRIPTION	PART NUMBER	Q
1	Drive shaft	OM10373	1
2	Inner dust boot	OM10379	1
3	Move stop flange	OM10376	1
4	Tripod joint	OM10375	1
5	Tripod joint housing	OM10377	1
6	Outer dust boot	OM10381	1
7	Front outer CV joint	OM10380	1
8	M10 insert	OM10382	1
9	CV joint lock washer	OM10394	1

Front intermediate drive shaft



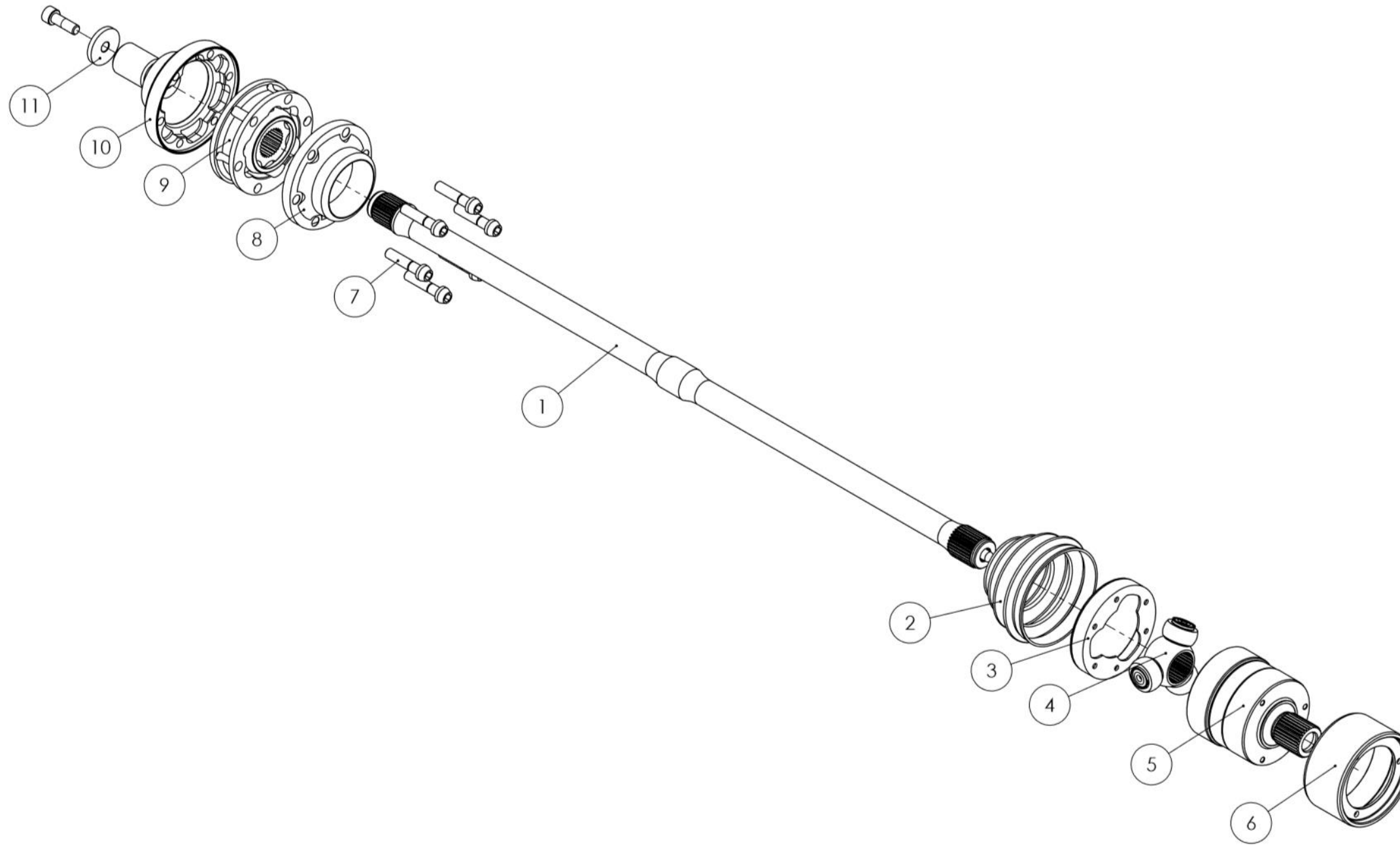
ITEM NO.	DESCRIPTION	PART NUMBER	Q
1	Intermediate drive shaft	OM10383	1
2	Bearing seat	OM10384	1
3	Bearing	OM10385	1

Rear right drive shaft (shorter drive shaft)



ITEM NO.	DESCRIPTION	PART NUMBER	Q
1	Rear right drive shaft	OM10388	1
2	Inner dust boot	OM10379	1
3	Move stop flange	OM10376	1
4	Tripod joint	OM10375	1
5	Tripod joint housing	OM10377	1
6	M10 bolts		6
7	Outer dust boot	OM10391	1
8	Outer CV Joint	OM10390	1
9	Rear drive hub adapter	OM10389	1
10	CV joint lock washer	OM10394	1

Rear left drive shaft (longer drive shaft)

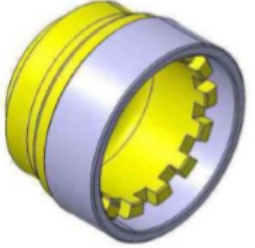
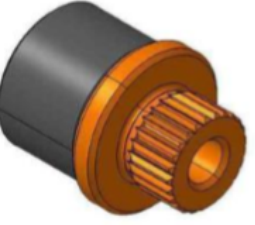

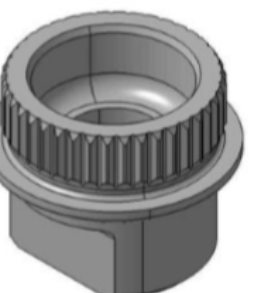
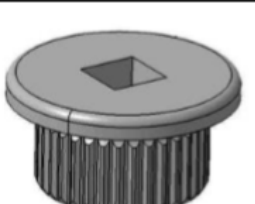


ITEM NO.	DESCRIPTION	PART NUMBER	Q
1	Rear left drive shaft	OM10373	1
2	Inner dust boot	OM10379	1
3	Move stop flange	OM10376	1
4	Tripod joint	OM10375	1
5	Tripod joint housing	OM10377	1
6	Diff. sealing ring	OM10378	1
7	M10 bolts		6
8	Outer dust boot	OM10391	1
9	Outer CV Joint	OM10390	1
10	Rear drive hub adapter	OM10389	1
11	CV joint lock washer	OM10394	1


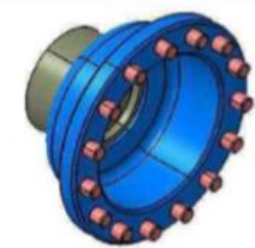

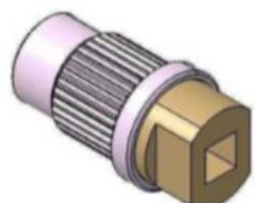
Special transmission maintenance tools



Gearbox

	Ref. SADEV	FOUT9055110	Primary nut tool
	Ref. SADEV	FOUT9055104	Primary bolt tool
	Ref. SADEV	FOUT9055112	Secondary nut tool
	Ref. SADEV	FOUT9055121	Differential preload tool
	Ref. SADEV	FOUT9055120	Differential preload tool

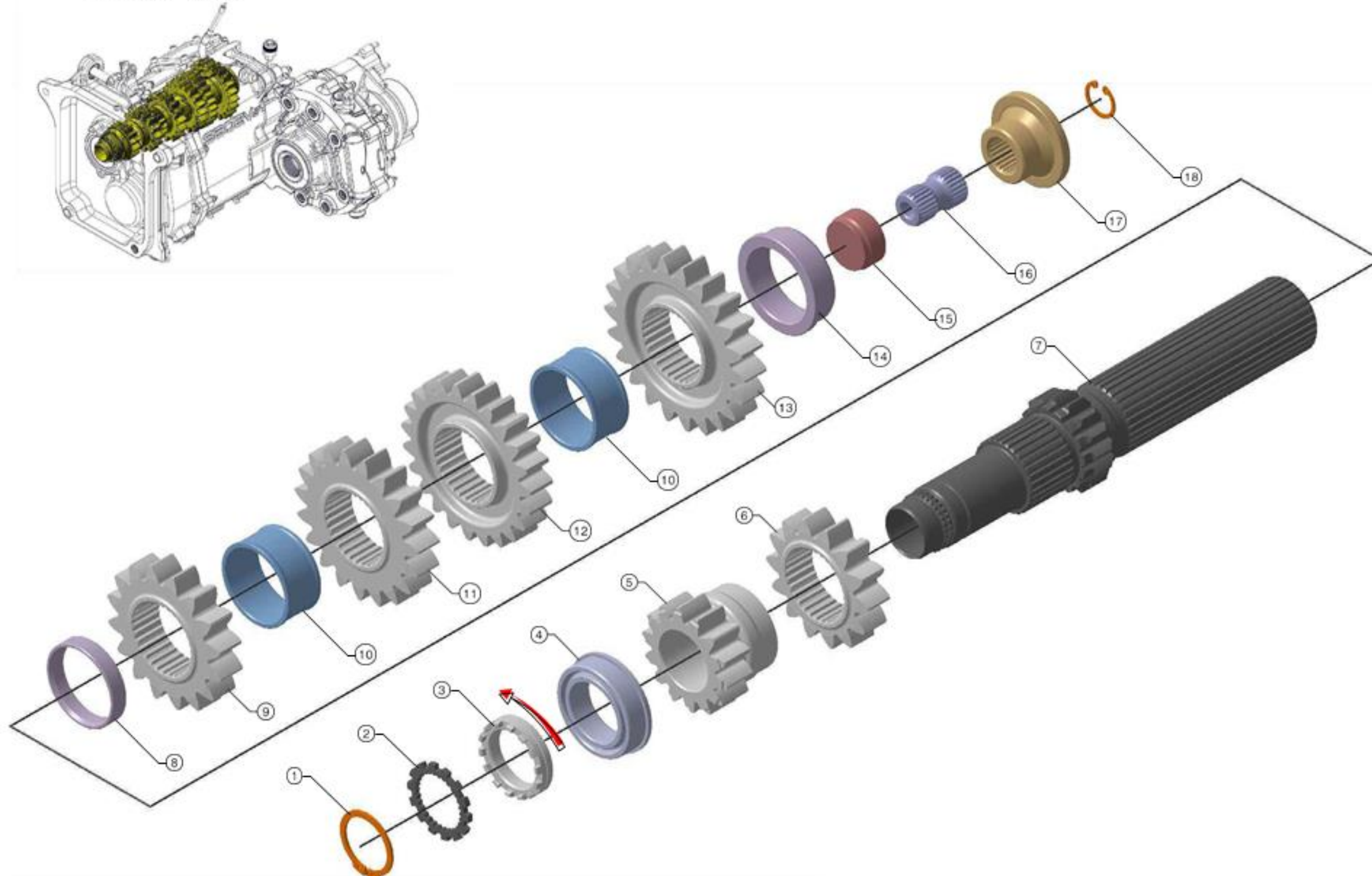
Differential

	Ref. SADEV	FOUT9053010	Mounting housing
	Ref. SADEV	FOUT9053016	Adjustment preload tool
	Ref. SADEV	FOUT9007328	Seal protect
	Ref. SADEV	FOUT9053024	Differential preload tool

Primary shaft assembly



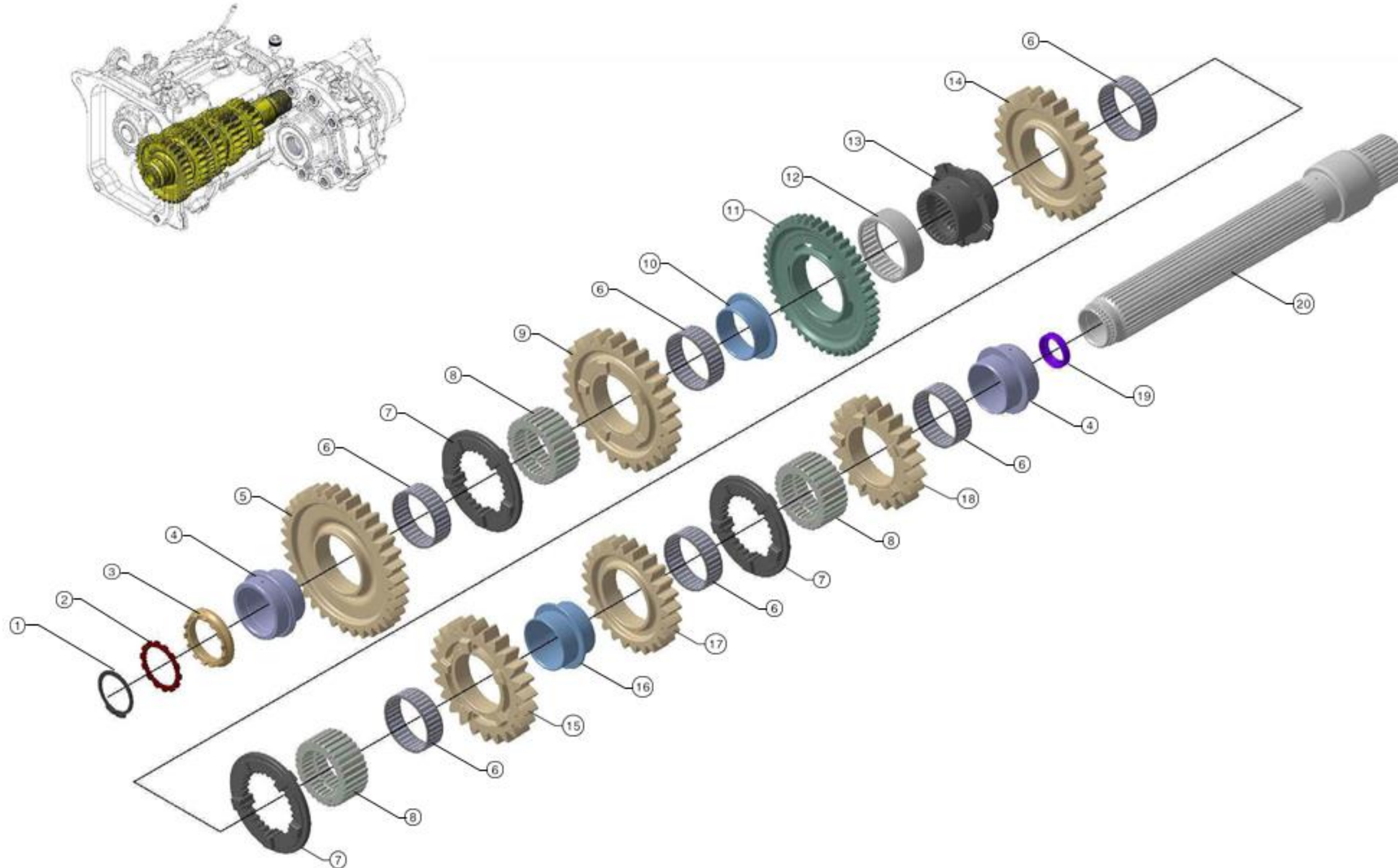
SADEV Gearbox
SC917
Exploded views



Secondary shaft assembly



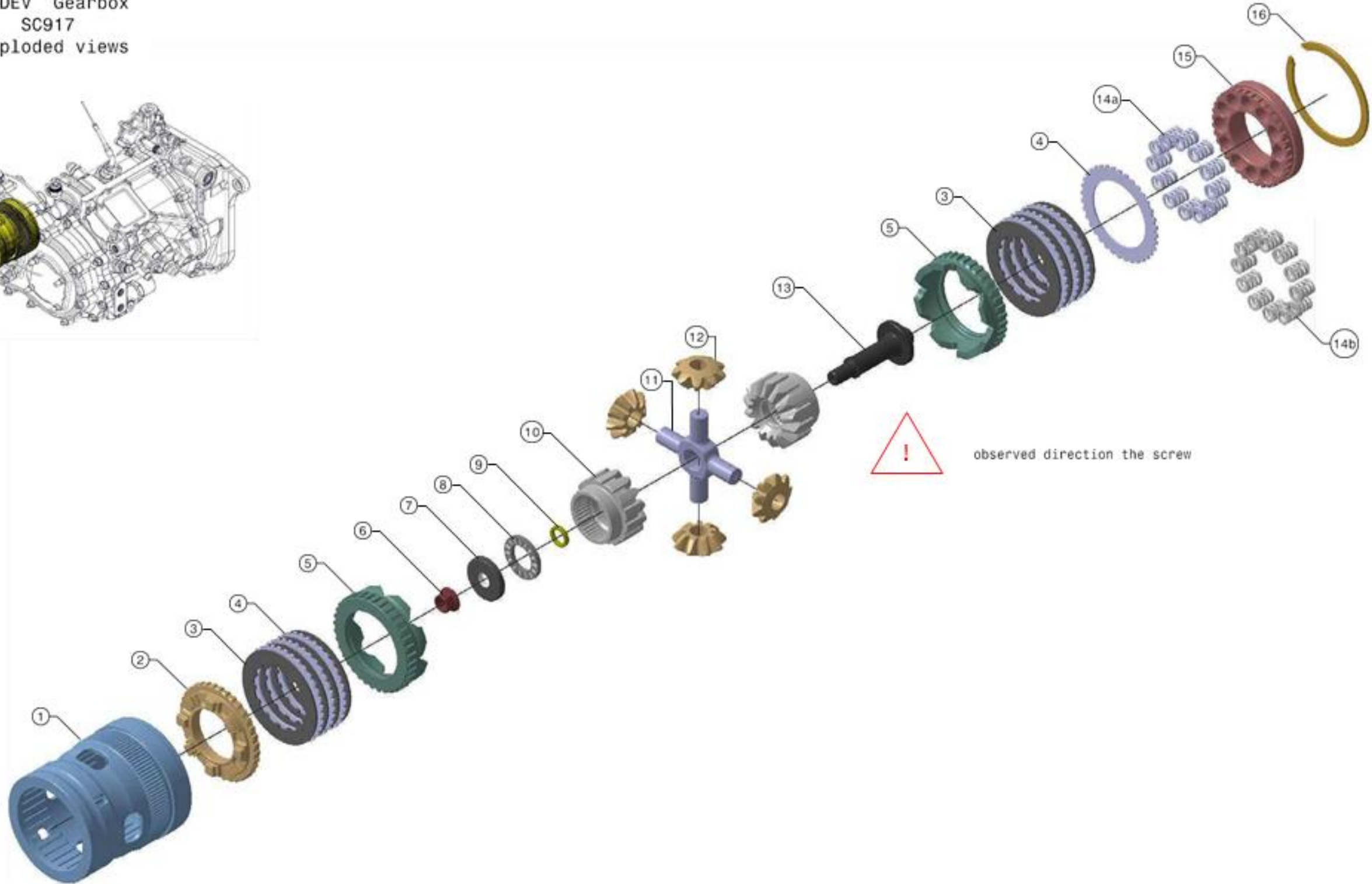
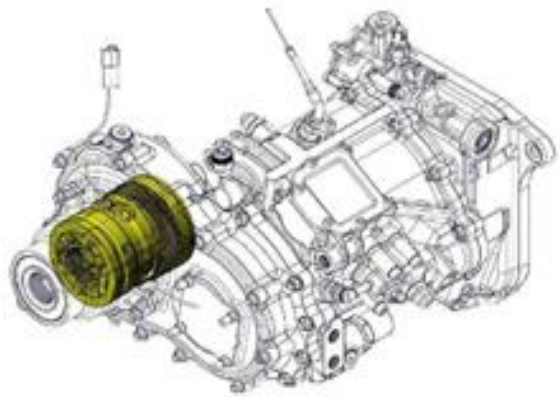
SADEV Gearbox
SC917
Exploded views



Center differential assembly



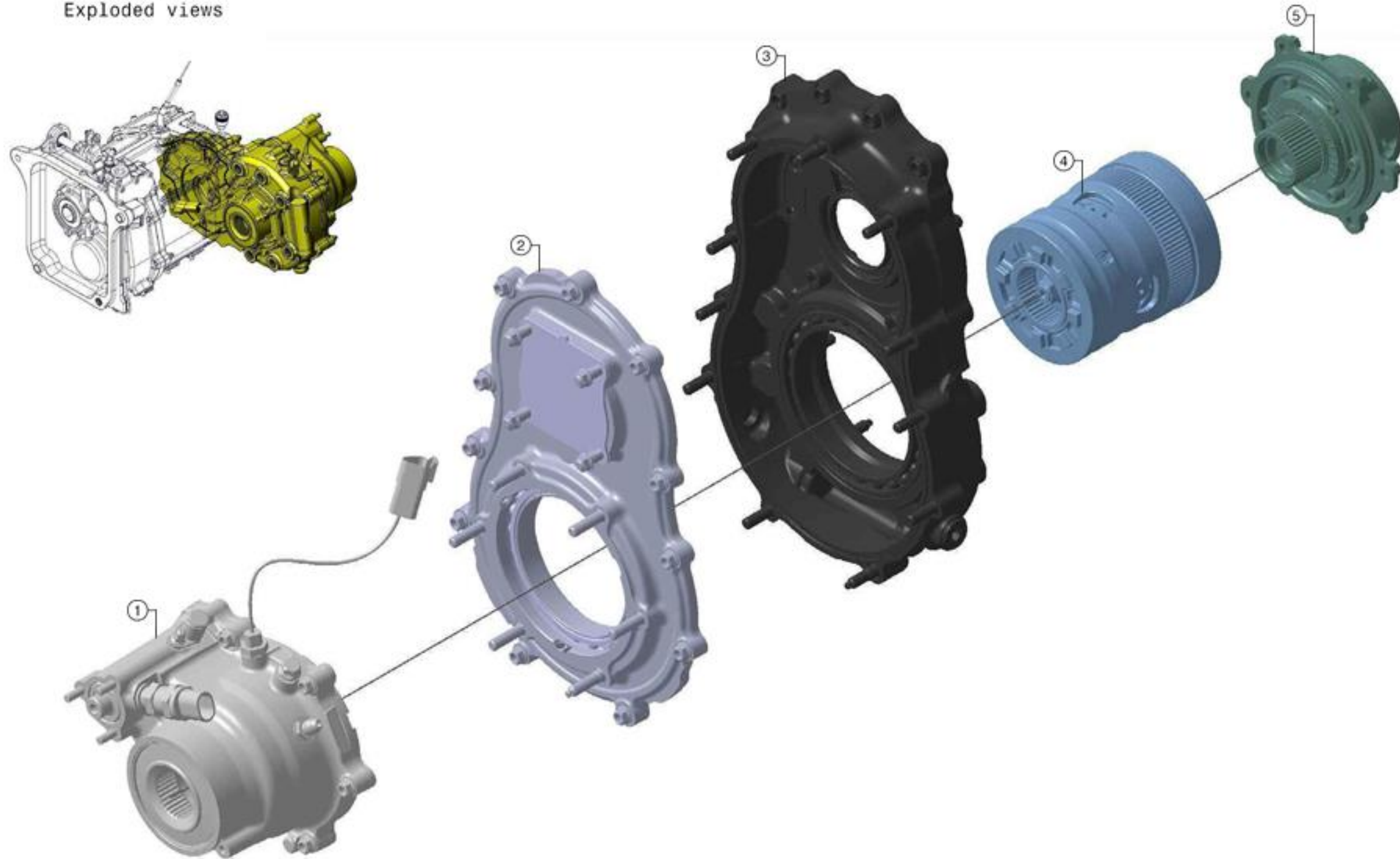
SADEV Gearbox
SC917
Exploded views



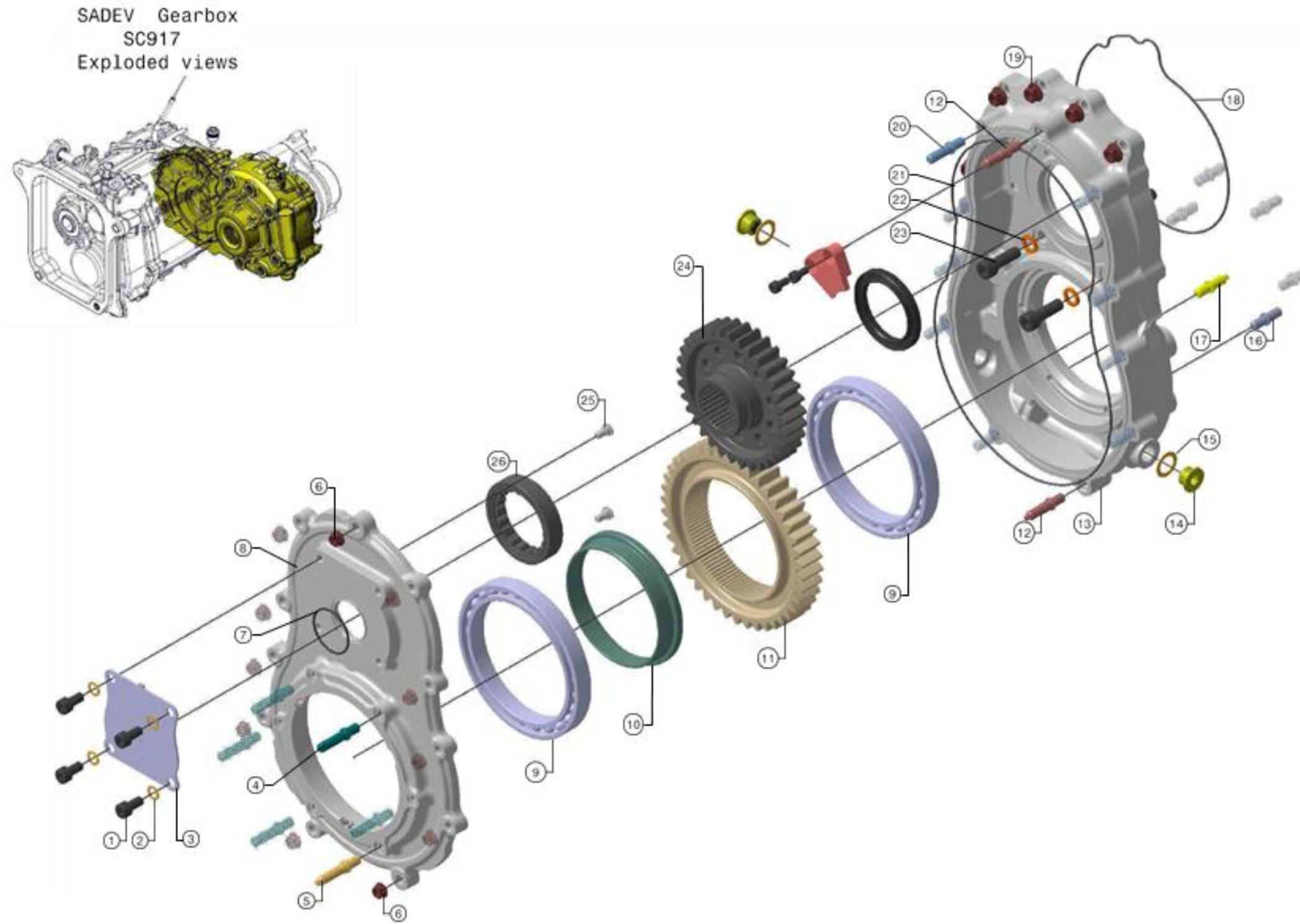
Center differential housing assembly



SADEV Gearbox
SC917
Exploded views



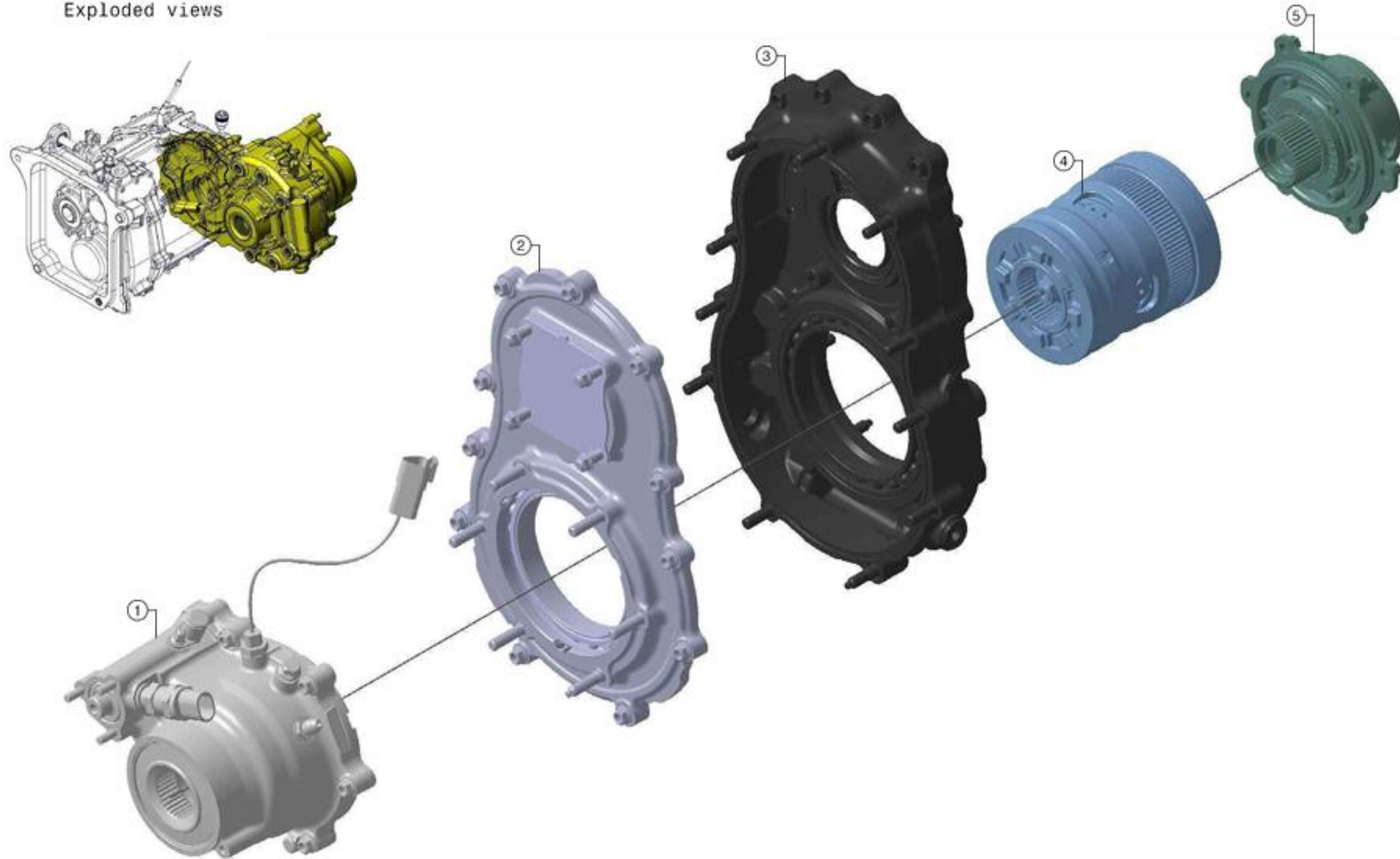
Drop gear assembly



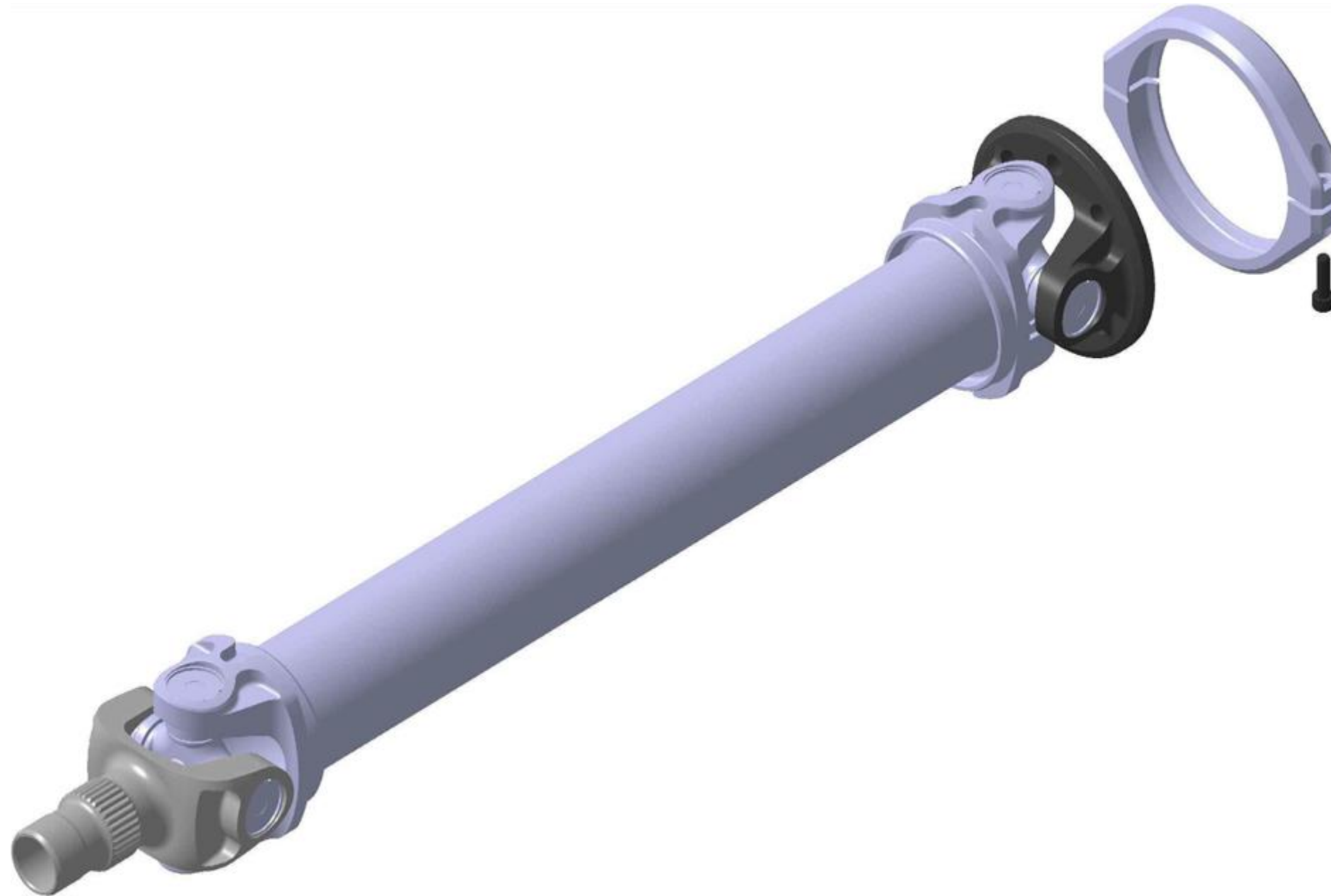
Center differential housing assembly



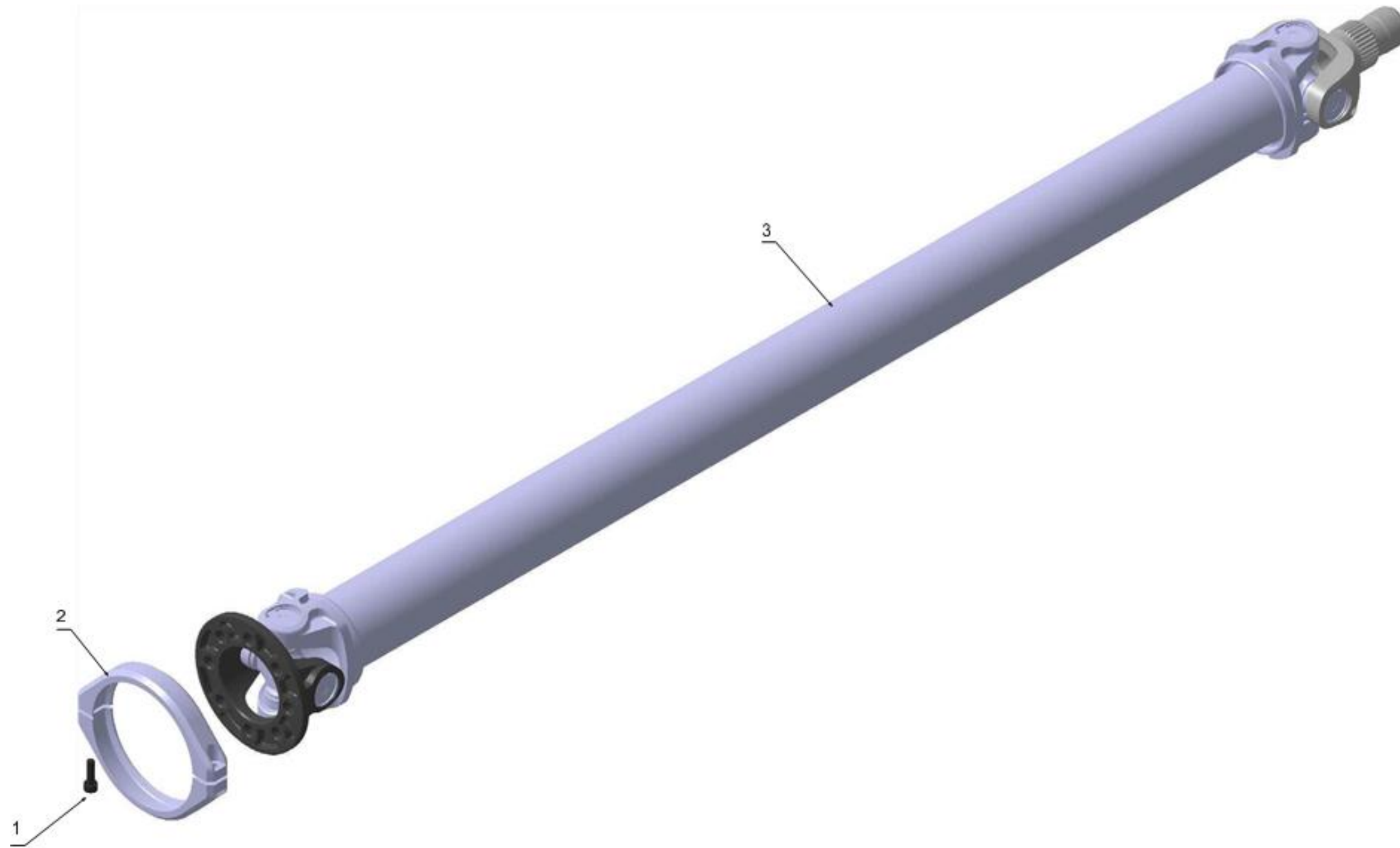
SADEV Gearbox
SC917
Exploded views



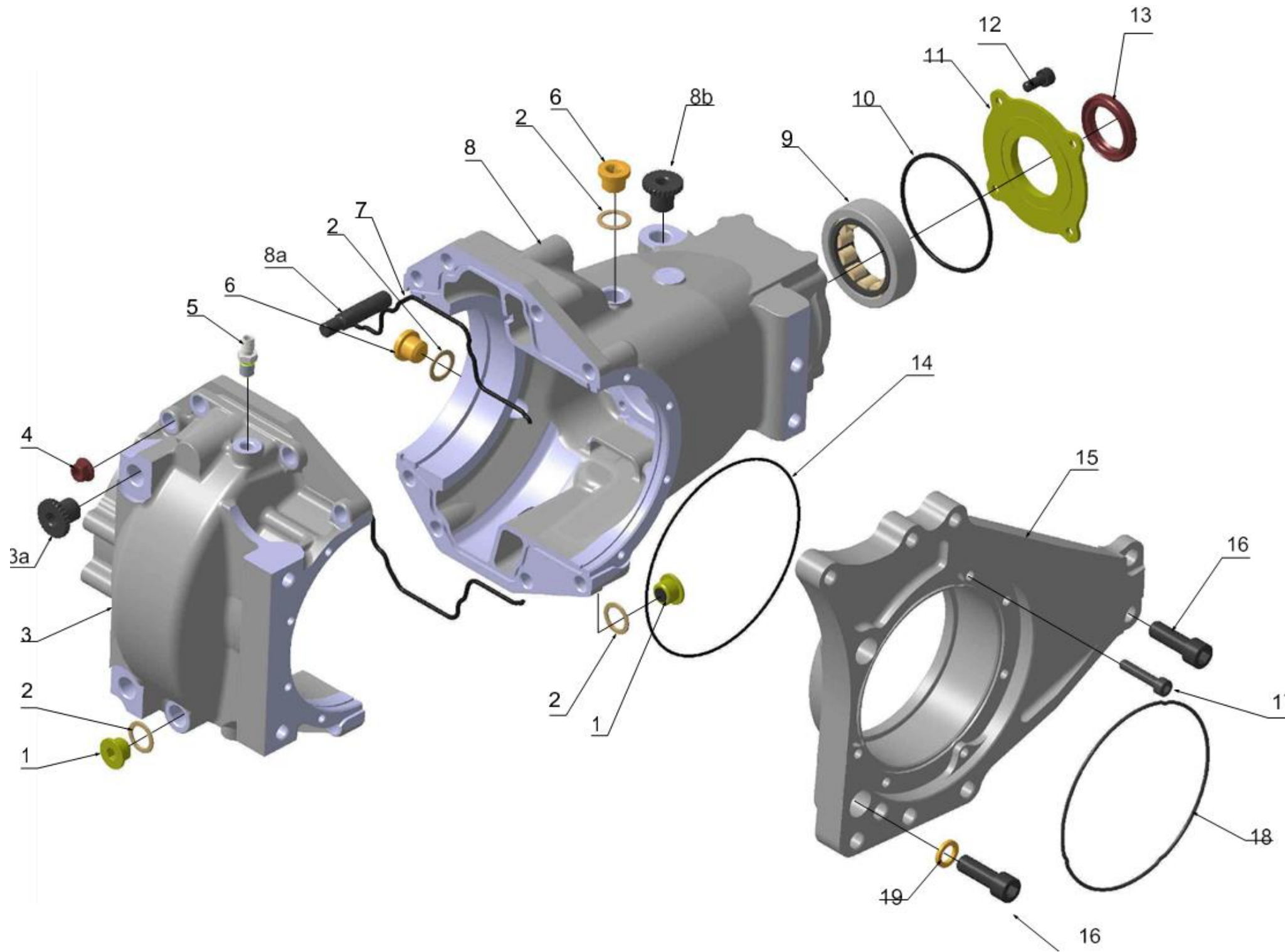
Front propeller shaft



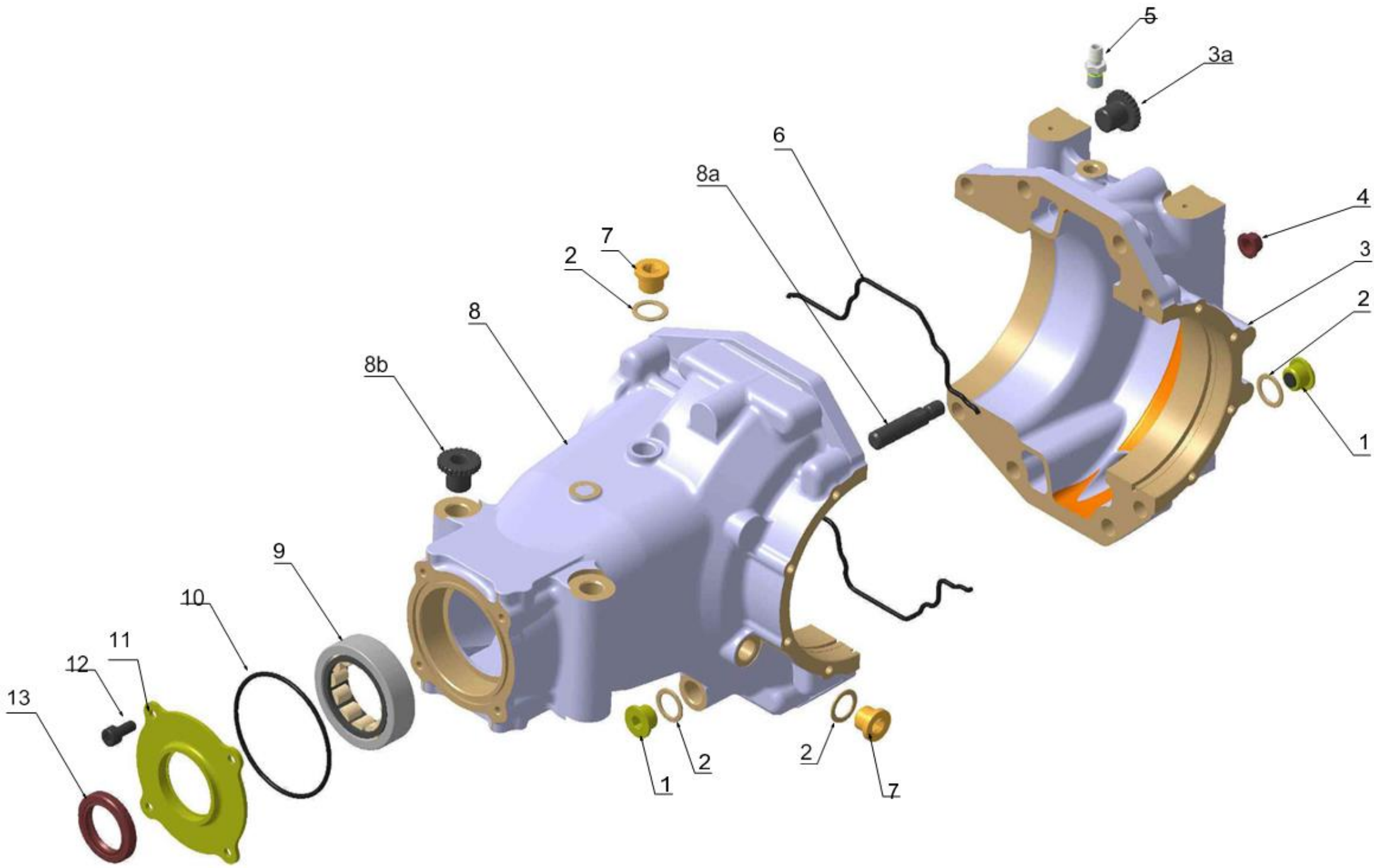
Rear propeller shaft



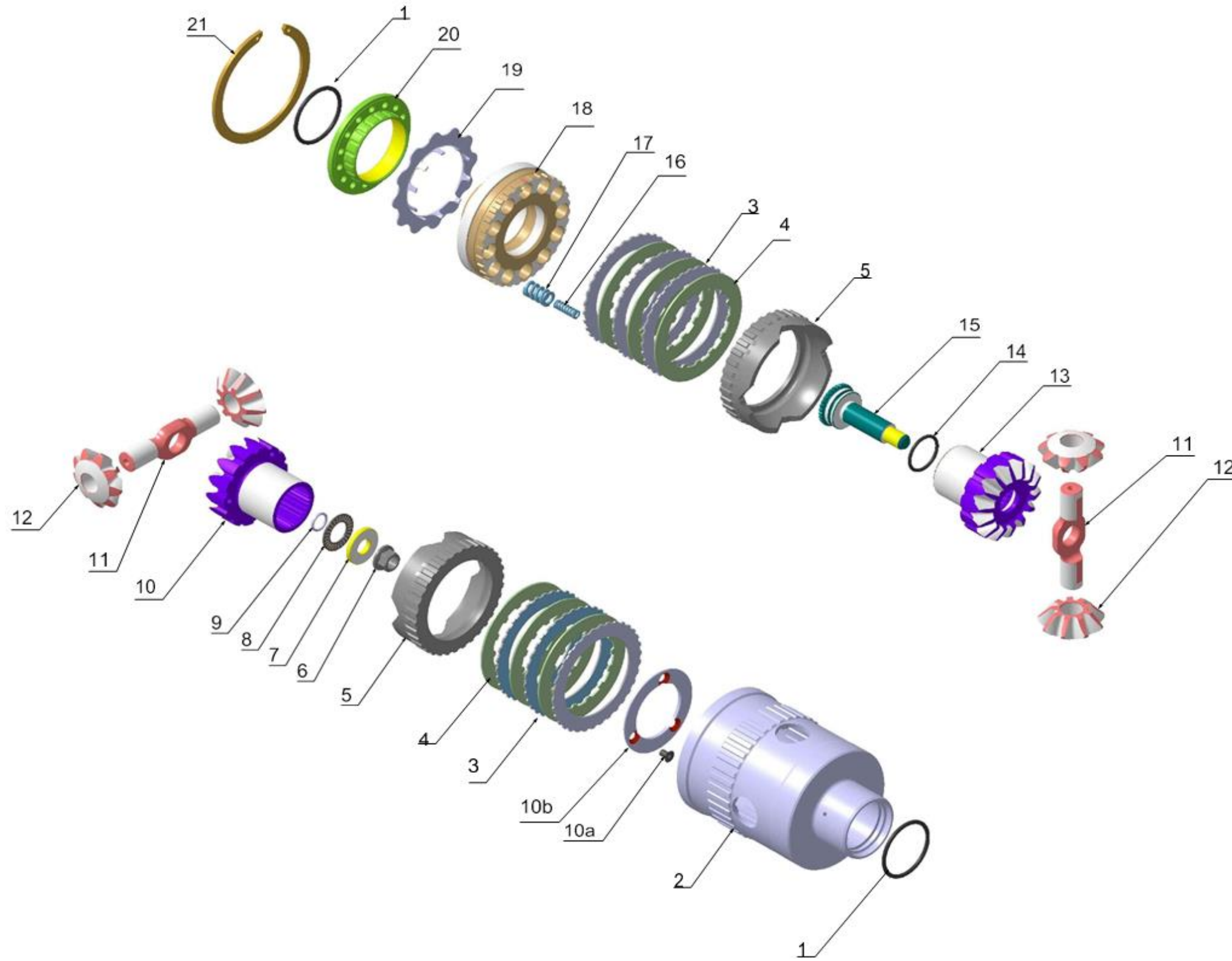
Front differential housing assembly



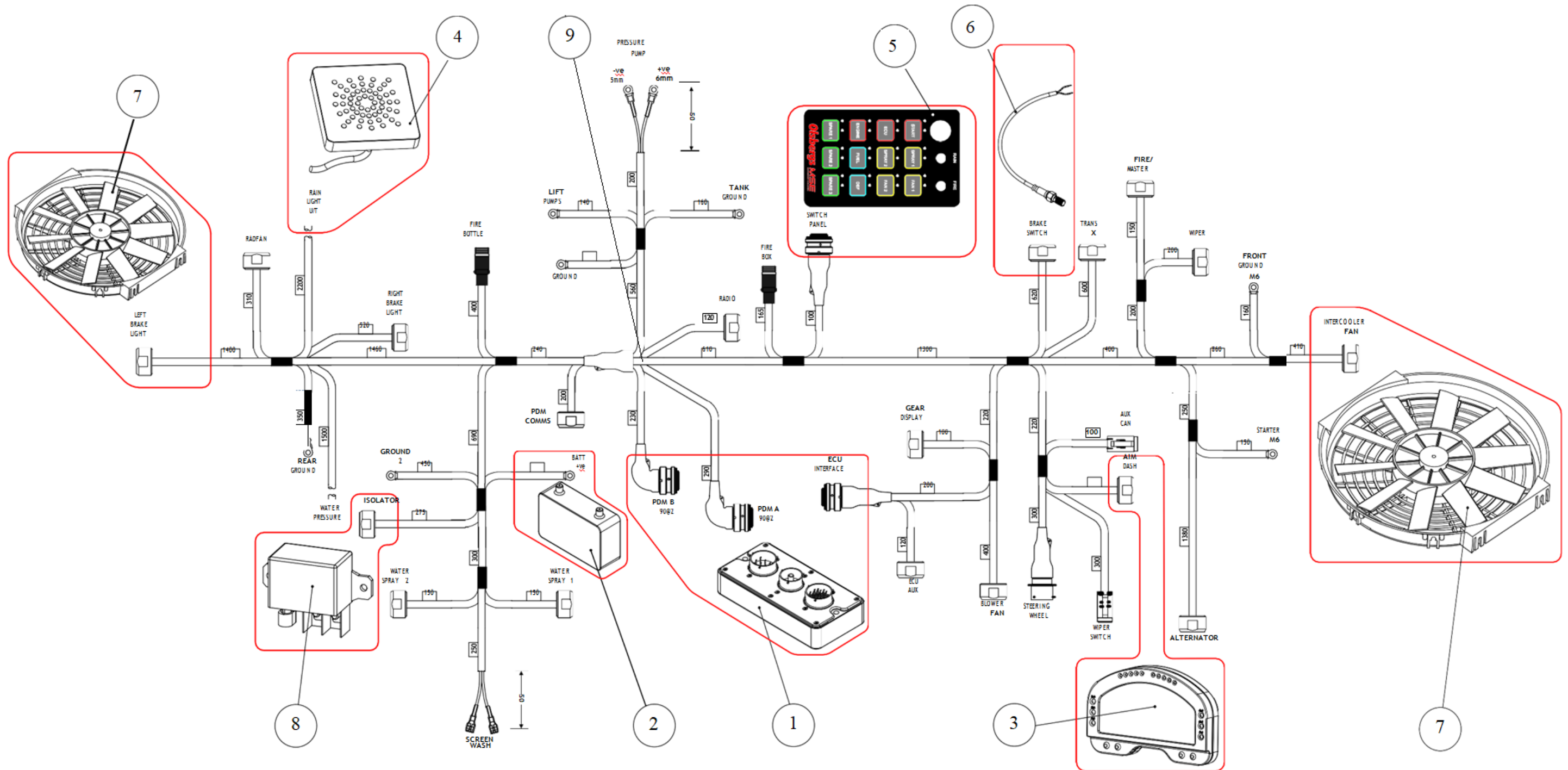
Rear differential housing assembly



Differential assembly and setup (same front and rear)



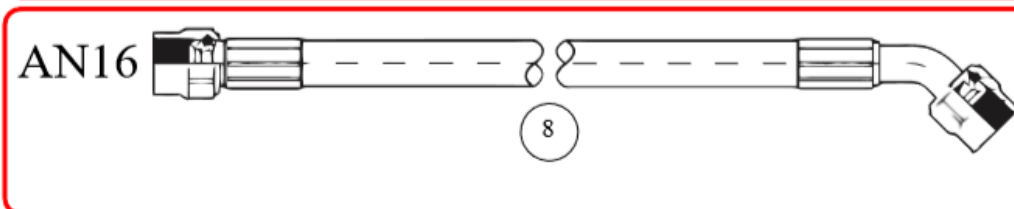
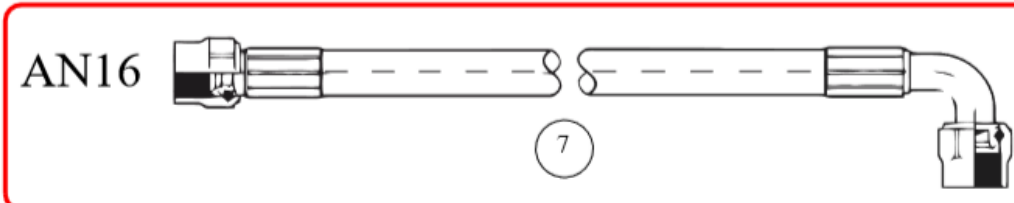
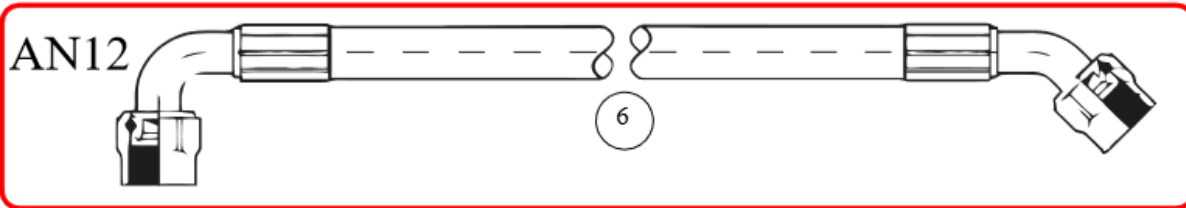
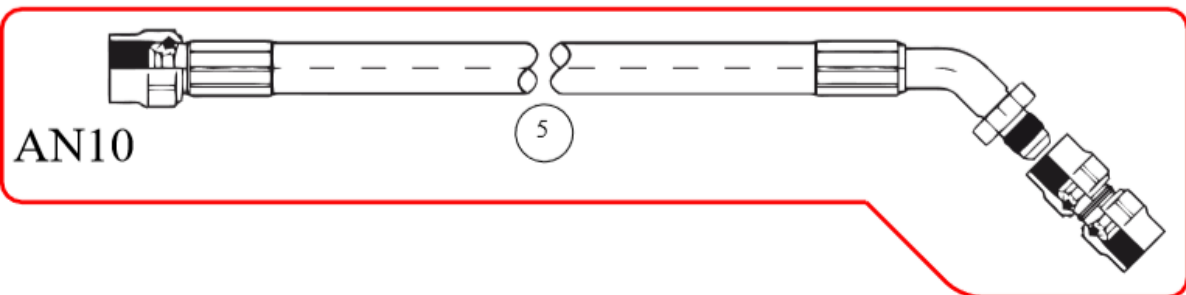
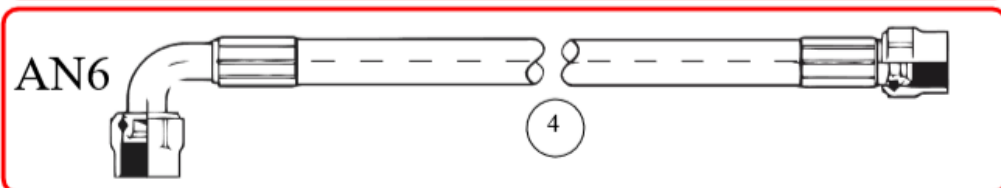
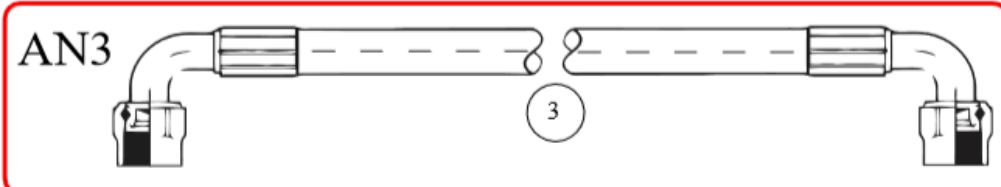
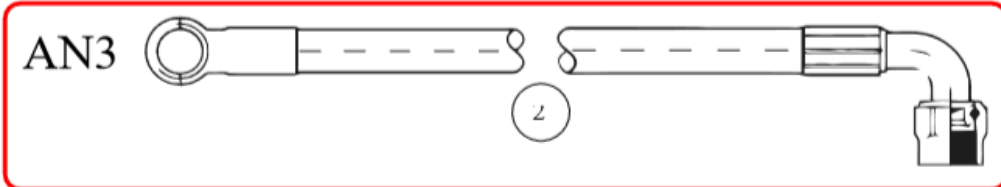
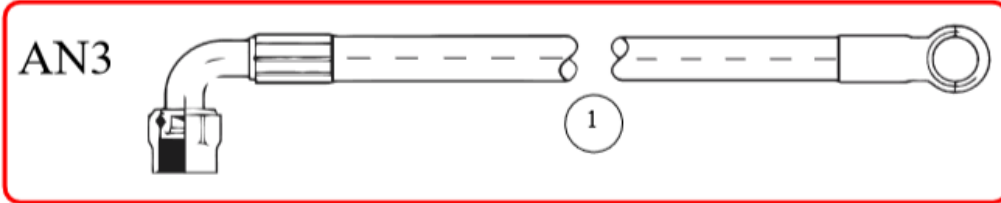
Chassis electrical loom



ITEM NO.	DESCRIPTION	PART NUMBER	Q
1	PDM box	OM10194	1
2	Battery	OM10191	1
3	Dashboard	OM10193	1
4	Rain light	OM10200	1
5	Switch panel	OM10195	1

ITEM NO.	DESCRIPTION	PART NUMBER	Q
6	Brake light switch	OM10199	1
7	Radiator/intercooler fan	OM10197	1
8	Main switch	OM10192	1
9	Main chassis loom	OM10196	1

Main hydraulic hoses



ITEM NO.	DESCRIPTION	PART NUMBER	Q
1	Front brake hose	OM10406	1
2	Rear brake hose	OM10407	1
3	Turbo feed hose	OM10408	1
4	Fuel hose (to sample block)	OM10413/14	1
5	Turbo return	OM10409	1
6	Oil pump (to filter)	OM10412	1
7	Oil in (oil pump to block)	OM10410	1
8	Oil out (oil pump to block)	OM10411	1